



2003 ATV PARTS CATALOG

Models : Moto440 (MO), Blaze 440 (BZ), Glamis (GL), Speed (SP), Cannibal (CN)

Modified : 12/12/02

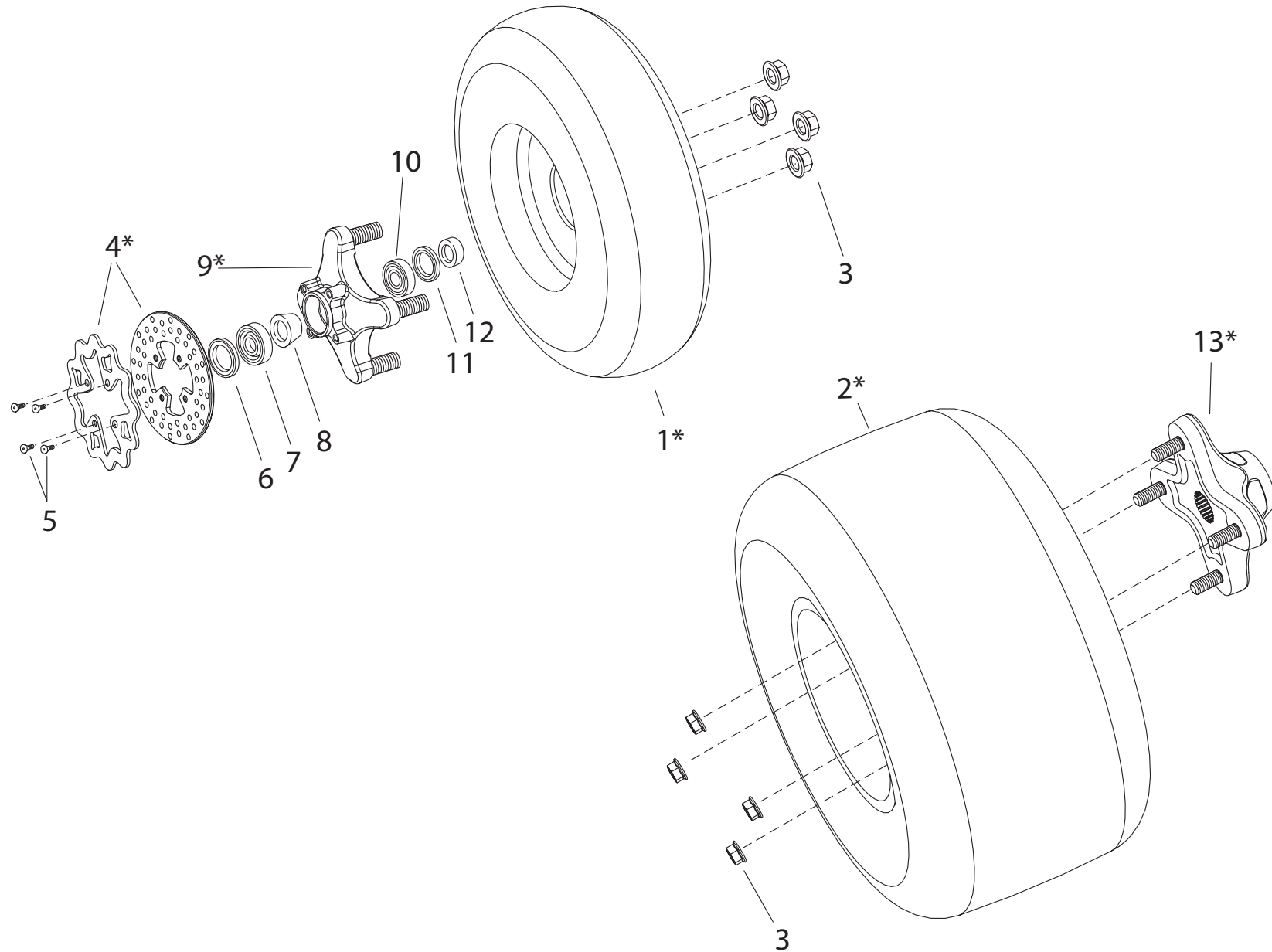


CONTENTS

Wheels and Hubs	4,5	Brush Guard	28,29	Fuel Pump	56,57
Standard A-Arms	6,7	Engine Rail	30,31	Seat	58,59
Moto 440 A-Arms	8,9	Subframe	32,33	Footpegs and Baskets	60,61
Front Shock	10,11	Swingarm	34,35	Nerf Bars	62,63
Steering Column	12,13	Rear Axle	36,37	Plastic	64,65
Steering Damper	14,15	Rear Shock	38,39	Cannibal Graphics	66,67
Handlebar and Controls	16,17	Airbox and Filter	40,41	Cannibal Graphics	68,69
Ignition	18,19	Exhaust	42,43	Speed Graphics	70,71
Front Brake Master Cylinder	20,21	Electrical Tray	44,45	Glamis Graphics	72,73
Front Brake Caliper	22,23	Battery	46,47	Moto 440 and Blaze Graphics	74,75
Rear Brake	24,25	Wiring Harness	48,49	Warning Decals	76,77
Mainframe	26,27	Headlight	50,51		
		Cooling System	52,53		
		Fuel Tank and Regulator	54,55		

Wheels and Hubs

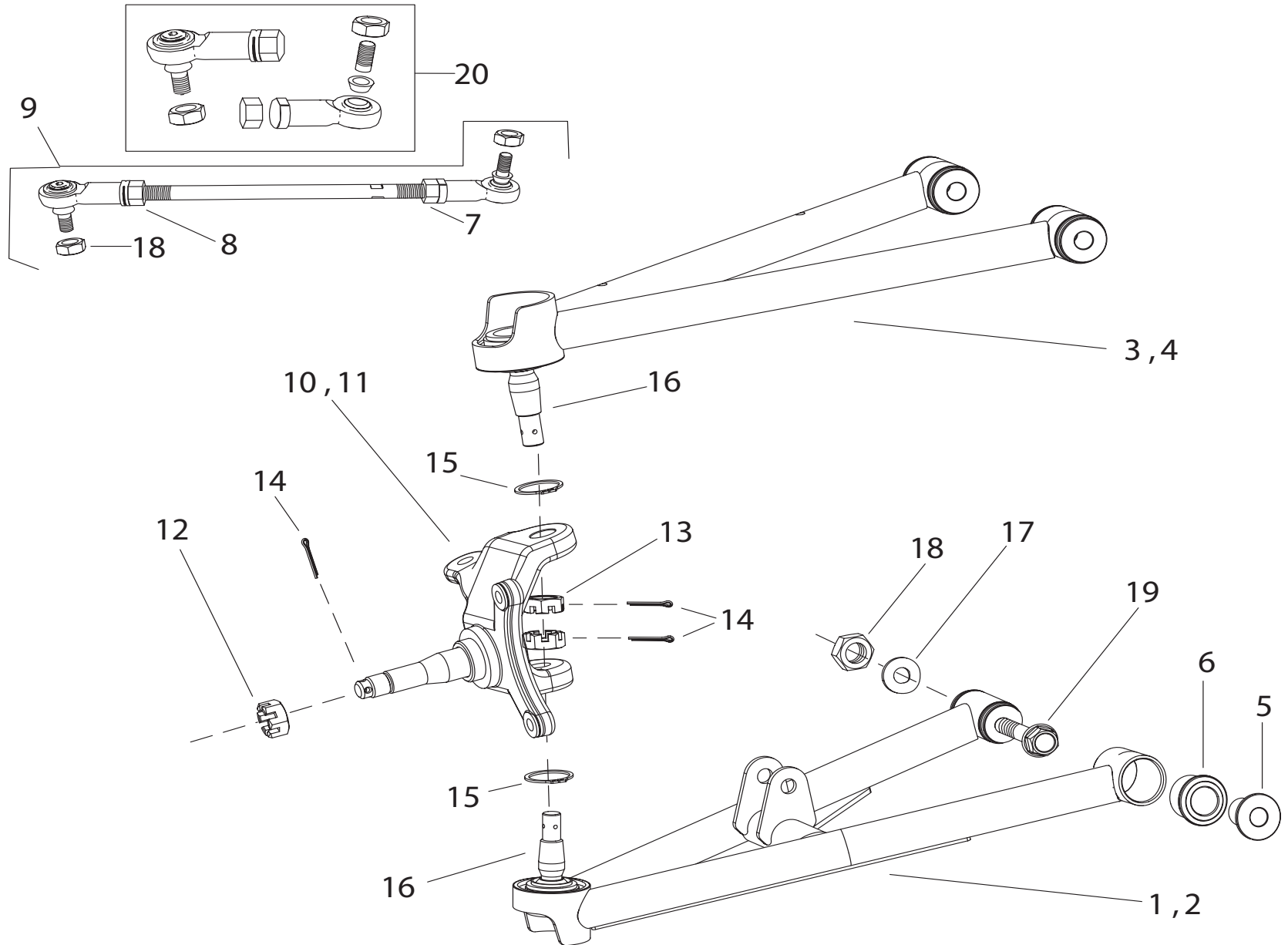
Wheels and Hubs



*	2	152-6001030	X				X	REAR HUB ASSEMBLY, RED	
13	2	152-6000326		X			X	REAR HUB ASSEMBLY	
12	1	6000009						INSERT, 15.2X20X9.8 mm	
11	1	6000011						SEAL, HUB, FRONT, OUTER	
10	1	6000026						BEARING, HUB, FRONT, OUTER	
*	1	052-6001031	X				X	FRONT HUB ASSEMBLY, RED	
9	1	052-6000553		X	X		X	FRONT HUB ASSEMBLY	
8	1	6001150						SPACER, BEARING HUB, 15.2X25.5X19.5 mm	
7	1	5000355						SEALED BEARING, 20X42X12	
6	1	6000010						SEAL, HUB, FRONT, INNER	
5	4	5000138						FHCS, M8X16 mm, NYLOK/ZINC	
*	2	6001034	X				X	FRONT ROTOR	
4	2	6000633		X	X		X	FRONT ROTOR	
3	1	6000474						LUG NUT, M10	
*	2	6001080	X					REAR WHEEL ASSEMBLY	Holeshot MX
*	2	6001033					X	REAR WHEEL ASSEMBLY	Holeshot XCR
*	2	6000305		X				REAR WHEEL ASSEMBLY	
*	1	6001191			X			REAR WHEEL ASSEMBLY, PADDLE, RIGHT	Glamis Paddle
*	1	6001190			X			REAR WHEEL ASSEMBLY, PADDLE, LEFT	Glamis Paddle
*	1	6000834					X	REAR WHEEL ASSEMBLY, RIGHT	
2	1	6000832					X	REAR WHEEL ASSEMBLY, LEFT	
*	2	6001189			X			FRONT WHEEL ASSEMBLY, PADDLE	Glamis Paddle
*	2	6001032					X	FRONT WHEEL ASSEMBLY	Holeshot XCR
*	2	6000303		X				FRONT WHEEL ASSEMBLY	
*	1	6001079R	X					FRONT WHEEL ASSEMBLY, RIGHT	Holeshot MX
*	1	6001079L	X					FRONT WHEEL ASSEMBLY, LEFT	Holeshot MX
*	1	6000833					X	FRONT WHEEL ASSEMBLY, RIGHT	
1	1	6000831					X	FRONT WHEEL ASSEMBLY, LEFT	
ITEM NO	QTY REQD	DEALER PART NUMBER	MO	SP	GL	BZ	CN	DESCRIPTION	NOTES
								MODEL	
WHEELS AND HUBS PARTS LIST									

Standard A-Arms

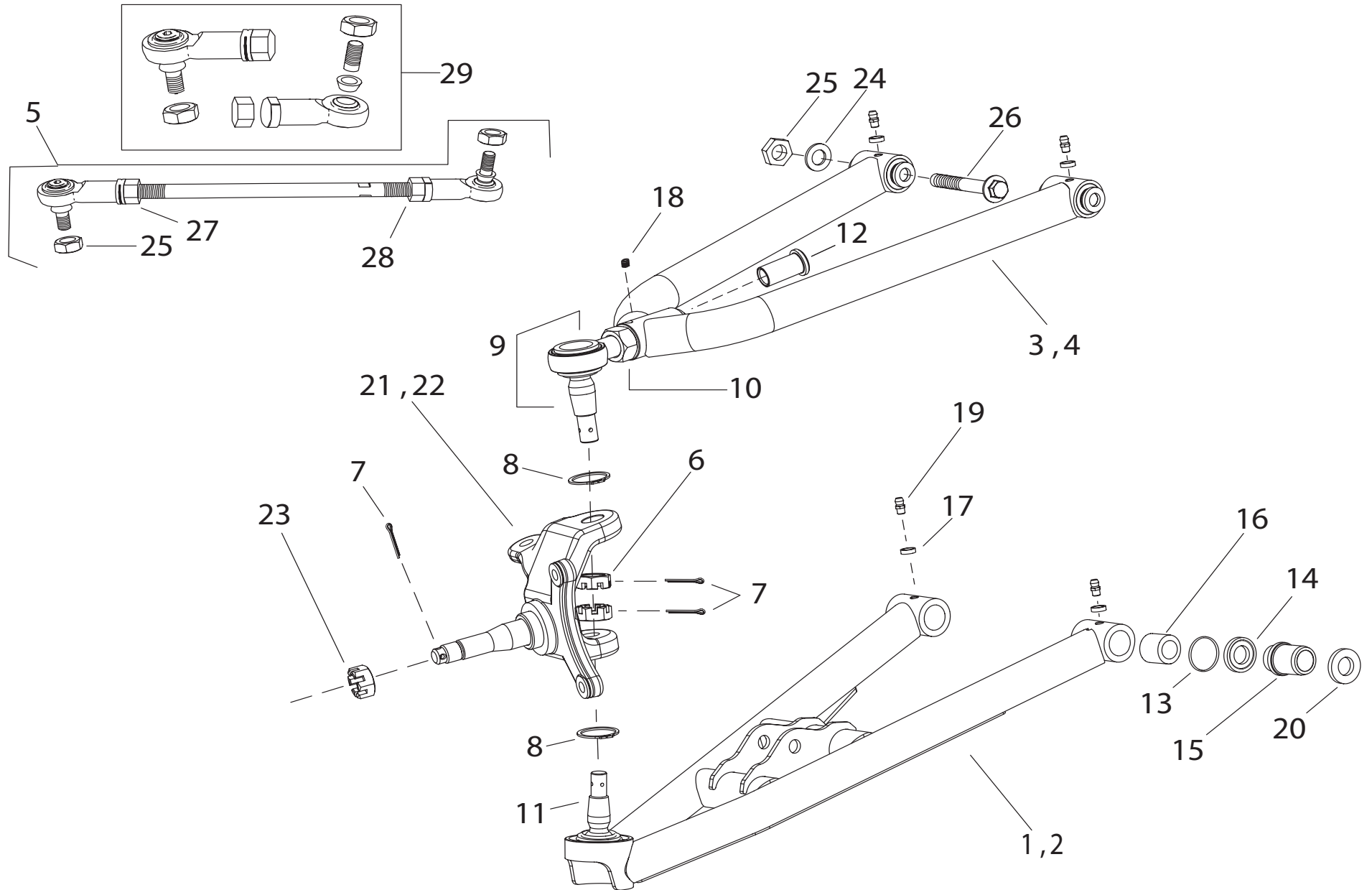
Standard A-Arms



20	1	013-6000870		X	X	X	X	TIE ROD END KIT	2 ENDS PER KIT
ADDITIONAL PARTS									
19	4	6000270						FHB, M10X80mm, ZINC, NYLOK	
18	6	5000146-01						LOCKNUT, M10	
17	4	5000715						FLAT HEAD WASHER, M10	
16	2	013-6000686-02		X	X	X	X	BALL JOINT, ATV A-ARMS	
15	2	6000706						RING, RTNG, INT, 30 mm	INCLUDED WITH BALL JOINTS
14	3	6000488						PIN, COTTER, 2.5X32 mm	
13	2	6000268						NUT, CASTLE, M12	
12	1	6000265						NUT, CASTLE, M14	
11	1	013-6000147-03						UPRIGHT, RIGHT	
10	1	013-6000156-03						UPRIGHT, LEFT	
9	1	014-6000821		X	X	X	X	TIE ROD ASSEMBLY	
8	1	6000702						NUT, JAM, LEFT, M10	
7	1	6000703						NUT, JAM, RIGHT, M10	
6	4	6000152						BUSHING, 15.7X28.6X21 mm	INCLUDED IN A-ARM ASSEMBLIES
5	4	6000667						INSERT, FLANGE, 10.3X15.7X24.4 mm	
4	1	013-6001254		X	X	X	X	UPPER A-ARM ASSEMBLY, RIGHT	REFER TO PARTS BULLETIN: PB02-011
3	1	013-6001250		X	X	X	X	UPPER A-ARM ASSEMBLY, LEFT	REFER TO PARTS BULLETIN: PB02-011
2	1	013-6001264		X	X	X	X	LOWER A-ARM ASSEMBLY, RIGHT	REFER TO PARTS BULLETIN: PB02-011
1	1	013-6001258		X	X	X	X	LOWER A-ARM ASSEMBLY, LEFT	REFER TO PARTS BULLETIN: PB02-011
ITEM NO	QTY REQD	DEALER PART NUMBER	MO	SP	GL	BZ	CN	DESCRIPTION	NOTES
STANDARD A-ARMS PARTS LIST									

Moto 440 A-Arms

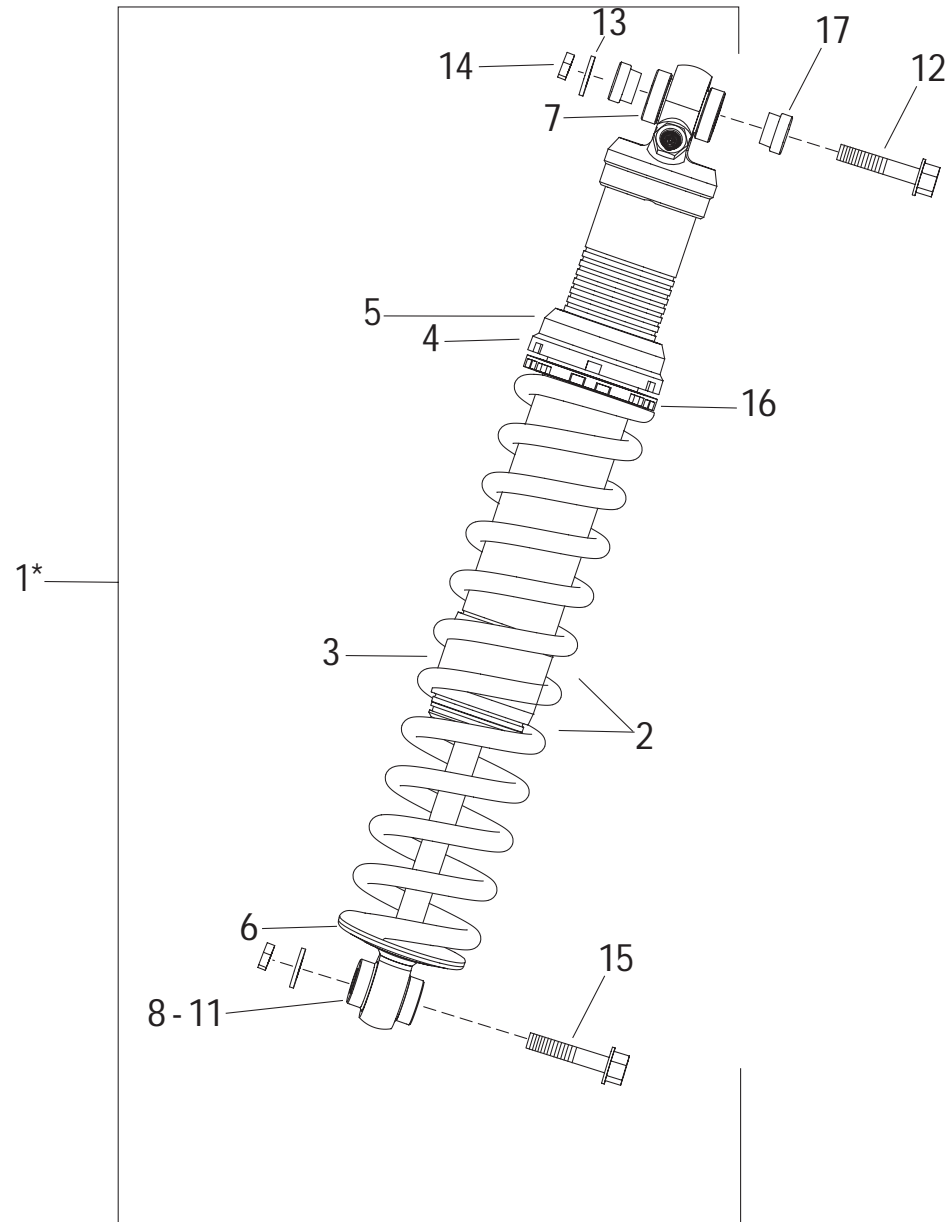
Moto 440 A-Arms



29	1	013-6000870	X						TIE ROD END KIT	2 ENDS PER KIT
ADDITIONAL PARTS										
28	1	6000702							NUT, JAM, LEFT, M10	
27	1	6000703							NUT, JAM, RIGHT, M10	
26	4	6000270							FHB, M10X80mm, ZINC, NYLOK	
25	6	5000146-01							LOCKNUT, M10	
24	4	5000715							FLATHEAD WASHER, M10	
23	1	6000265							NUT, CASTLE, M14	
22	1	013-6000147-03							UPRIGHT, RIGHT	
21	1	013-6000156-03							UPRIGHT, LEFT	
20	4	6001110	X						WASHER, PIVOT, A-ARM	
19	1	6001119	X						ZERK FITTING, M6 STRAIGHT	
18	1	6001128	X						SCREW, SET, M5X8 MM, ZINC	
17	2	6001127	X						SPACER, ZERK FITTING	
16	1	6001109	X						BEARING, SPHERICAL, CB-8-B2	
15	2	6001111	X						SPACER, PIVOT, A-ARM	
14	2	6001112	X						SEAL, HMS45412	
13	2	6001113	X						CLIP, SPIROLOXUR-87	
12	1	6001114	X						INSERT, A-ARM ROD END	
11	1	013-6000686-02							BALL JOINT, ATV A-ARMS	
10	1	6001117	X						NUT, JAM, M16X1.5	
9	1	013-6000730-02	X						ROD END/ BALL JOINT KIT	
8	2	6000706							RING, RTNG, INT, 30 mm	INCLUDED WITH BALL JOINT
7	3	6000488							PIN, COTTER, 2.5X32 mm	
6	2	6000268							NUT, CASTLE, M12	
5	1	014-6000822	X						STEERING TIE ROD ASSEMBLY	
4	1	013-6001090	X						UPPER A-ARM ASSEMBLY, RIGHT	
3	1	013-6001088	X						UPPER A-ARM ASSEMBLY, LEFT	
2	1	013-6001091	X						LOWER A-ARM ASSEMBLY, RIGHT	
1	1	013-6001089	X						LOWER A-ARM ASSEMBLY, LEFT	
ITEM NO	QTY REQD	DEALER PART NUMBER	MO	SP	GL	BZ	CN	DESCRIPTION		NOTES
								A-ARMS PARTS LIST, MOTO440		

Front Shock

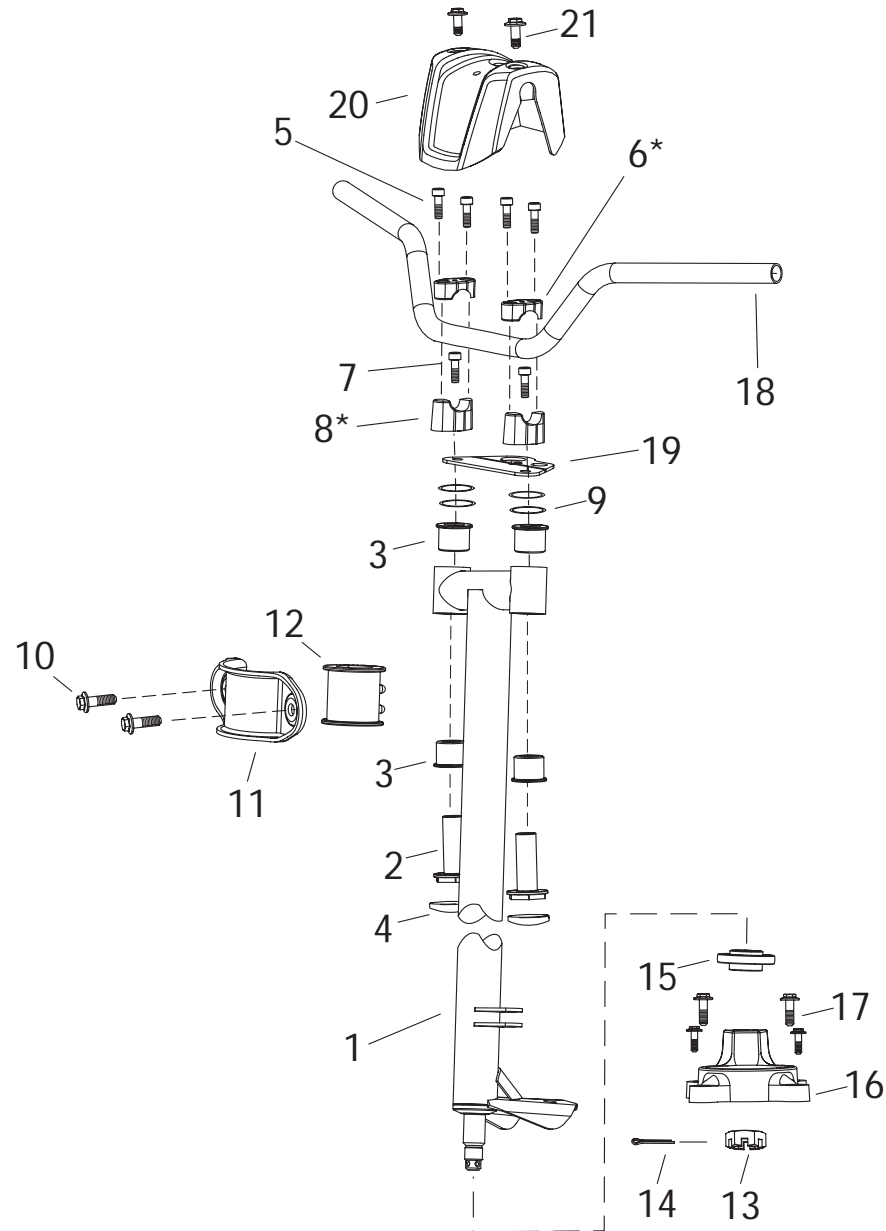
Front Shock



		6000535							SHOCK SPRING, FRONT	180-84/23
		6000536							SHOCK SPRING, FRONT	180-48
		6000537							SHOCK SPRING, FRONT	180-46
ADDITIONAL PARTS										
17	2	6000444							SPACER, FRONT SHOCK	
16	1	6000615							SHOCK SPRNG PRLOAD CAM RING	
15	1	6000272							FHB M10X50 mm	
14	2	5000146							LOCKNUT,M10	
13	2	5000715							FLAT WASHER, M10	
12	1	5000424							FHB M10x70mm SHOCK BOLT	
11	1	5001291							SHOCK MOUNT BEARING	OHLINS
10	2	5001288							SHOCK MOUNT BEARING CIRCLIP	OHLINS
9	2	5001289							SHOCK MOUNT BEARING SEAL	OHLINS
8	2	5001290							SHOCK MOUNT BEARING SPACER	OHLINS
7	1	6000543							UPPER MOUNT BUSHING	OHLINS
6	1	6000538							SHOCK SPRING RETAINER	OHLINS
5	1	6000539							SHOCK SPRING PRELOAD CIRCLIP	OHLINS
4	1	6000540							SHOCK SPRING PRELOAD ADJ	OHLINS
3	1	6000541							SHOCK BODY PROTECTOR	OHLINS
2	2	6000542							SHOCK BODY CIRCLIP	OHLINS
*	2	6001248						X	SHOCK, FRONT	ARVIN
*	2	6001200	X						SHOCK, FRONT	OHLINS
*	2	6001028				X			SHOCK, FRONT	OHLINS
*	2	6001183			X				SHOCK, FRONT, GLAMIS	OHLINS
1	2	6000648		X					SHOCK, FRONT	OHLINS
ITEM NO	QTY REQD	DEALER PART NUMBER	MO	SP	GL	BZ	CN	DESCRIPTION		NOTES
			MODEL							
FRONT SHOCK PARTS LIST										

Steering Column

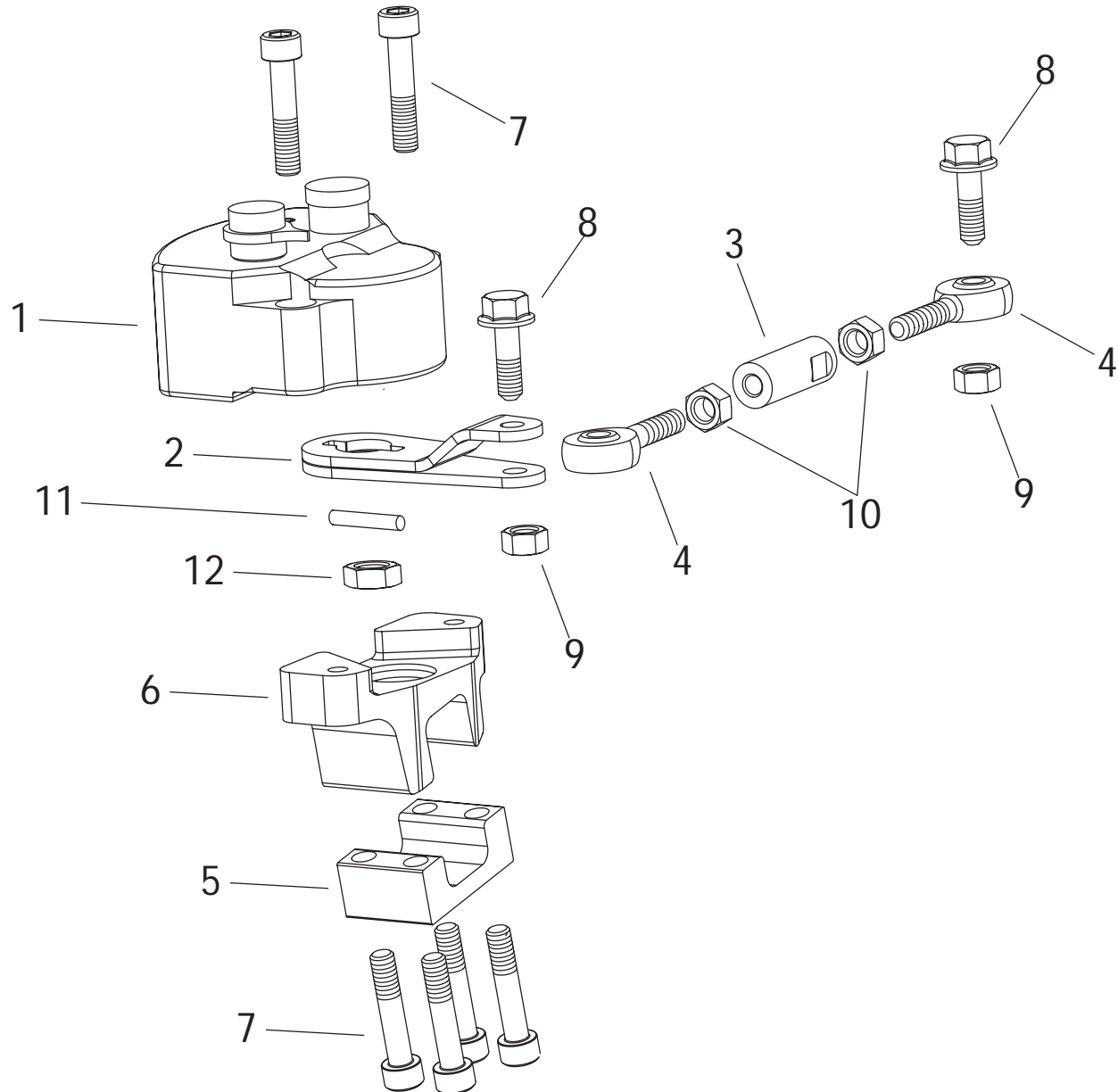
Steering Column



21	2	5000378						X	FHB, M5x12 mm	
20	1	6000592						X	IGNITION COVER	
19	1	6001039	X	X	X	X			PLATE, IGNITION SWITCH	
18	1	-----							HANDLEBARS	SEE HANDLEBAR AND CONTROLS
17	4	5000095							FHB M6X20 mm	
16	1	6001155							LWR STEERING COLUMN MOUNT	
15	1	6000785							BEARING ASSY, LWR STEERING COLUMN	
14	1	6000488							PIN, COTTER, 2.5X32 mm	
13	1	6000265							NUT, CASTLE, M14	
12	1	6000144-02							BUSHING, 34.9X60X57 mm	
11	1	6000145							STEERING COLUMN CLAMP	
10	2	6000252							FHB M8X25 mm	
9	2	6000499							WASHER, M10, ZINC	
*	2	6001076	X		X	X			LOWER HANDLEBAR CLAMP	
8	2	6000347		X				X	LOWER HANDLEBAR CLAMP	
7	2	6001104							SHCS M10X35 mm, NYLOC	
*	2	6001077	X		X	X			UPPER HANDLEBAR CLAMP	
6	2	6000346		X				X	UPPER HANDLEBAR CLAMP	
5	4	6000391							SHCS M8X30 mm, SS	
4	2	6000589							CAP, 1", BLACK	
3	4	6000373							BUSHING, 14X28.6X21 mm	
2	2	6000345-03							T-NUT, 24 mm	
1	1	6000845							STEERING COLUMN	
ITEM NO	QTY REQD	DEALER PART NUMBER	MO	SP	GL	BZ	CN	DESCRIPTION		NOTES
STEERING COLUMN PARTS LIST										

Steering Damper

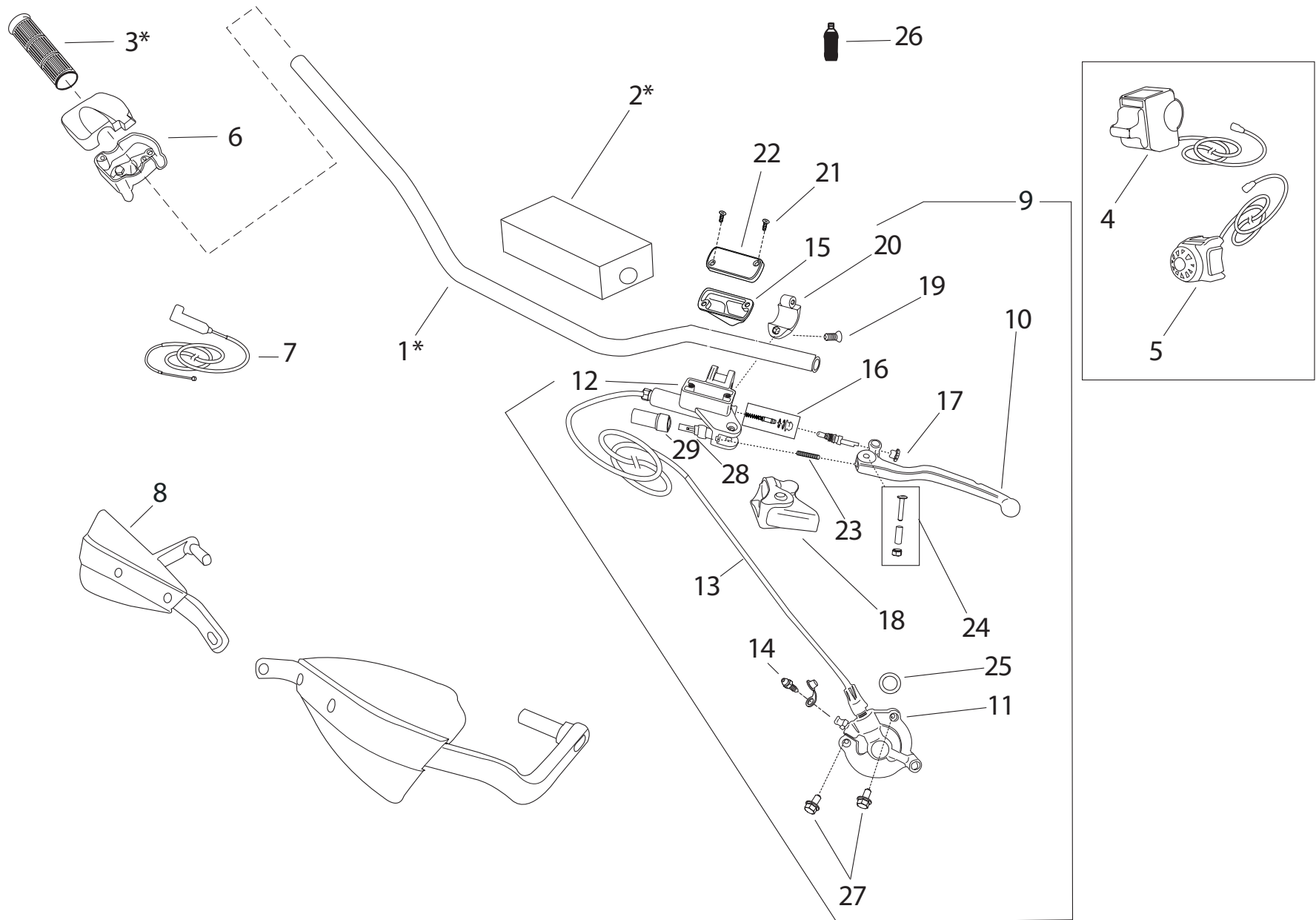
Steering Damper



		214-6001041						STEERING DAMPER KIT	
ADDITIONAL PARTS									
12	1	6001147	X				X	NUT, DAMPER LINK ARM	
11	1	6001146	X				X	DAMPER SHEER PIN	
10	2	6001099	X				X	NUT, JAM, M6X1	
9	2	6000314	X				X	NUT, LOCK, M6	
8	2	5000095	X				X	FLNG HD BLT,M6X20,NYLOK	
7	6	6001098	X				X	SHCS, M6X30 mm	
6	1	6001093	X				X	STEERING DAMPER MOUNT	
5	1	6001094	X				X	STEERING DAMPER MOUNT CLAMP	
4	2	6001095	X				X	ROD END	
3	1	6001096	X				X	LINK ROD	
2	1	6001097-04	X				X	ROTARY DAMPER LINK ARM	
1	1	6001041	X				X	STEERING DAMPER	
ITEM NO	QTY REQD	DEALER PART NUMBER	MO	SP	GL	BZ	CN	DESCRIPTION	NOTES
			MODEL						
STEERING DAMPER PARTS LIST									

Handlebar and Controls

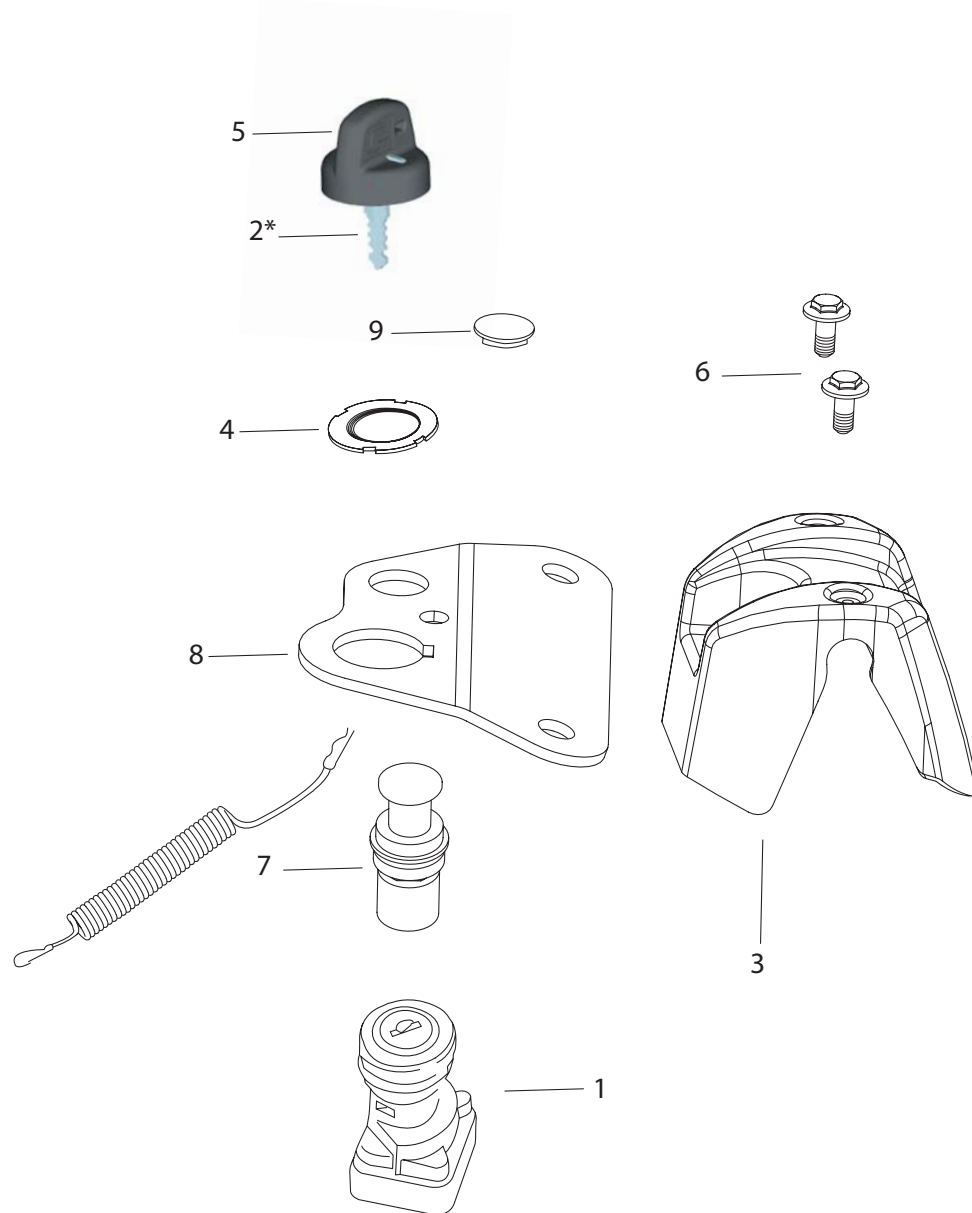
Handlebar and Controls



29	1	6000827							INTERLOCK SWITCH BOOT	
28	1	6000824							INTERLOCK SWITCH	
27	2	5001927							FHB M5X20 mm	
26	AR	5002385							HYDRAULIC CLUTCH OIL, 16 oz.	
25	1	5002593							O-RING, SLAVE CYLINDER	
24	1	5002373							CLUTCH LEVER PVT HRDWR KIT	
23	1	5002374							CLUTCH LEVER SPRING	
22	1	5002375							CLUTCH MASTER CYL CAP	
21	2	5002376							CLUTCH MASTER CYL CAP SCREW	
20	1	5002377							CLUTCH LEVER CLAMP	
19	1	5002378							CLUTCH LEVER CLAMP SCREW	
18	1	5002379							CLUTCH LEVER BOOT	
17	1	5002380							CLUTCH LEVER ADJ GRIP, RED	
16	1	5002381							CLUTCH MSTR CYL PISTON KIT	
15	1	5002382							CLUTCH MSTR CYL MEMBRANE	
14	1	5002383							CLUTCH SLAVE VALVE, CAP KIT	
13	1	6000825							CLUTCH TUBE KIT, 1100 mm	
12	1	6000826							MASTER CYLINDER, BLK	
11	1	5002387							SLAVE CYLINDER, COMPLETE	
10	1	6000823							CLUTCH LEVER, BLACK	
9	1	6000671							CLUTCH LEVER ASSEMBLY	
8	1	6001048							HANDGUARD SET	HARDWARE INCLUDED
7	1	6000168-04							THROTTLE CABLE	
6	1	6000248							THROTTLE ASSEMBLY	
5	1	213-5001952							ENGINE START SWITCH	
4	1	5001953							ENGINE STOP SWITCH	
*	1	6001040	X					X	GRIP SET, RED	
*	1	6000491			X				GRIP,PR,CLOGO,BLK/GRY	
3	1	6000647		X				X	GRIP,PR,CLOGO,BLK/YEL	
*	1	6001178							HANDLEBAR PAD, MAGURA, ORG	
2	1	6001180							HANDLEBAR PAD, MAGURA, RED	
*	1	5002454			X				HANDLEBAR, MAG, MX2	
*	1	6001017		X					HANDLEBAR, TAG X5	HANDLEBAR PAD INCLUDED
*	1	6001037	X					X	HANDLEBAR, TAG T2	HANDLEBAR PAD INCLUDED
1	1	6000283						X	HANDLEBAR, BLK	
ITEM NO	QTY REQD	DEALER PART NUMBER	MO	SP	GL	BZ	CN		DESCRIPTION	NOTES
HANDLEBAR & CONTROLS PARTS LIST										

Ignition

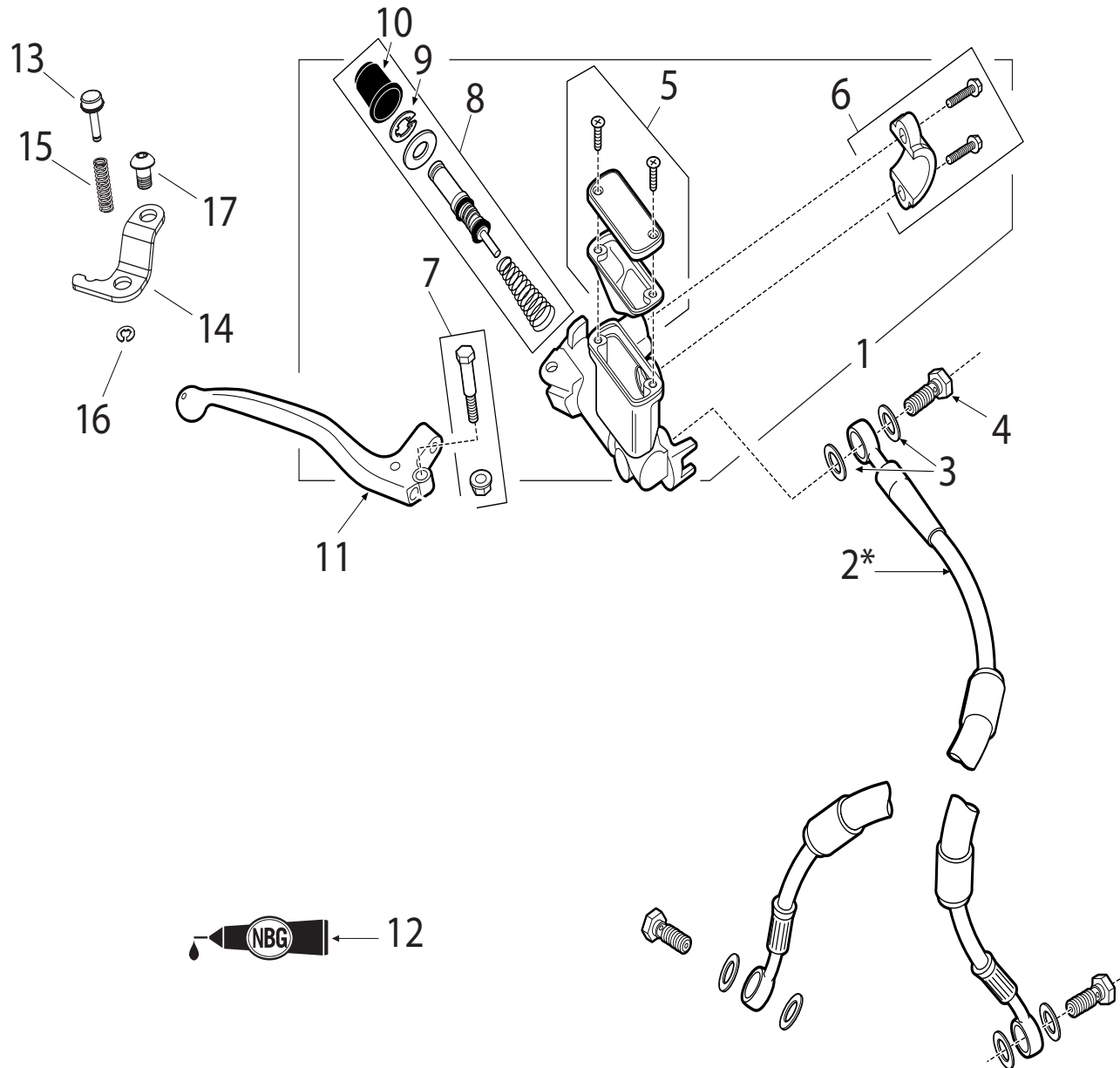
Ignition



9	1	6000738		X	X				PLUG, 5/8", PLASTIC	
8	1	6001039	X	X	X	X			PLATE, IGNITION SWITCH	
7	1	6001038	X				X		SWITCH, TETHER KILL	
6	2	5000378							FHB, M5X12 mm	
5	1	6000521							IGNITION KEY COVER	INCLUDED IN 6000247
4	1	6000520							IGNITION SWITCH RING	INCLUDED IN 6000247
3	1	6000592							IGNITION COVER	
*	1	6000287A							IGNITION KEY, BLANK	USE WITH "A" SERIAL # INCLUDED IN 6000247
2	1	6000287B							IGNITION KEY, BLANK	USE WITH "B" SERIAL # INCLUDED IN 6000247
1	1	6000247							IGNITION SWITCH ASSEMBLY	
ITEM NO	QTY REQD	DEALER PART NUMBER	MO	SP	GL	BZ	CN	DESCRIPTION		NOTES
			MODEL							
IGNITION PARTS LIST										

Front Brake Master Cylinder

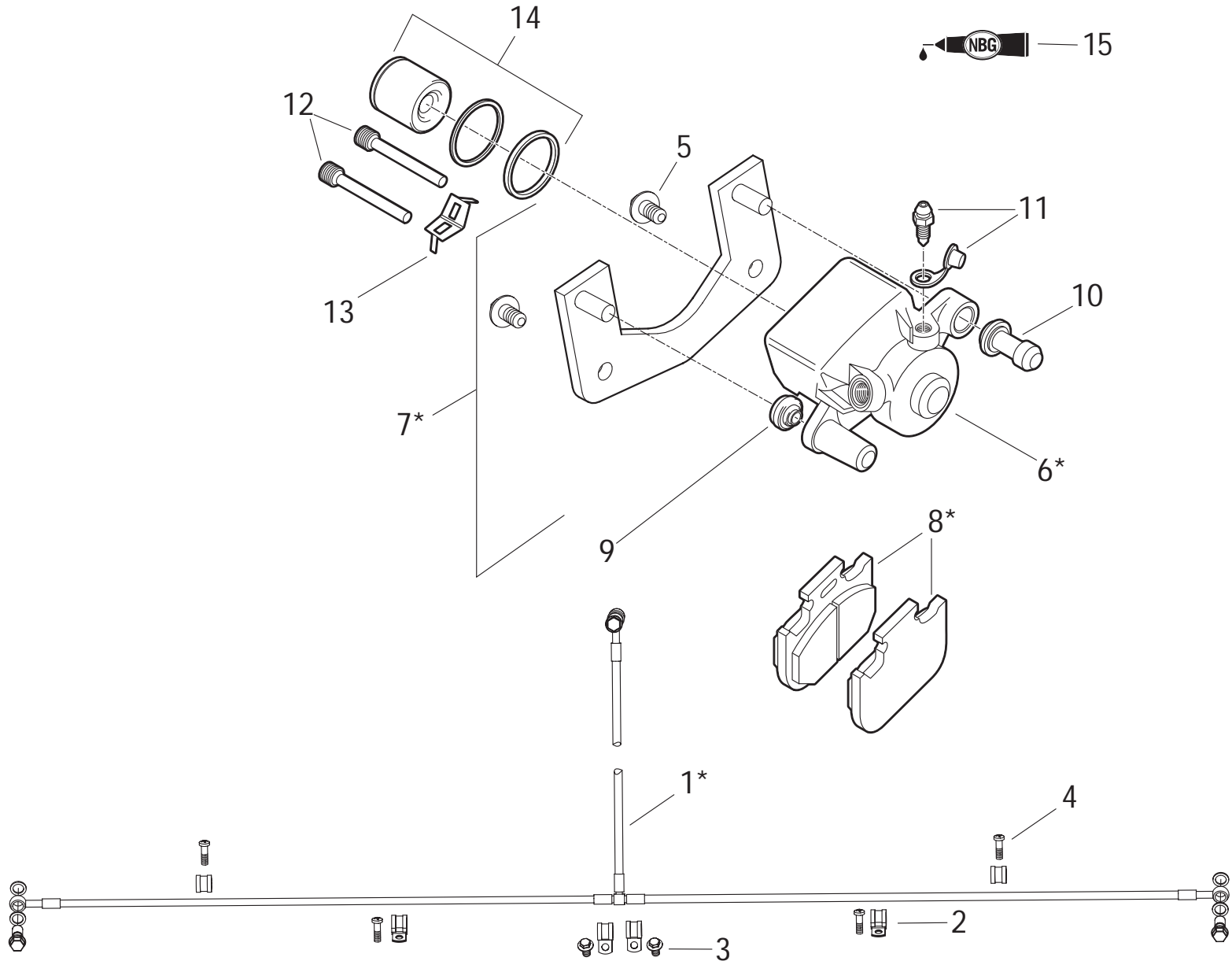
Front Brake Master Cylinder



17	1	6000596							BHCS, M10X16 mm	
16	1	6000285							CIRCLIP, 4 mm	
15	1	6000286							SPRING, BUTTON	
14	1	6000169							PARKING BRAKE LATCH	
13	1	6000170							PARKING BRAKE BUTTON	
12	AR	5000268							NISSIN BRAKE GREASE, 2 GRAM	
11	1	6000021							FRONT BRAKE LEVER	
10	1	6000025							FT BRAKE MSTR CYL BOOT	
9	1	5000099							FT BRAKE MSTR CYL CIRCLIP	
8	1	6000019							FT BRAKE MSTR CYL PISTON KIT	
7	1	6000022							FRONT BRAKE LEVER BOLT KIT	
6	1	6000024							FT BRAKE MSTR CYL CLAMP KIT	
5	1	6000020							FT BRAKE MASTER CYL CAP KIT	
4	3	6000242							BOLT, BANJO, M10X22 mm	
3	6	5001549							WASHER, CRUSH, ALUMINUM	
*	1	6001042	X						BRAKE LINE, FRONT	
2	1	6000162		X	X	X	X		BRAKE LINE, FRONT	
1	1	6000000							FRONT BRAKE MASTER CYL ASSY	
ITEM NO	QTY REQD	DEALER PART NUMBER	MO	SP	GL	BZ	CN	DESCRIPTION		NOTES
							MODEL			
FRONT BRAKE MASTER CYLINDER ASSY PARTS LIST										

Front Brake Caliper

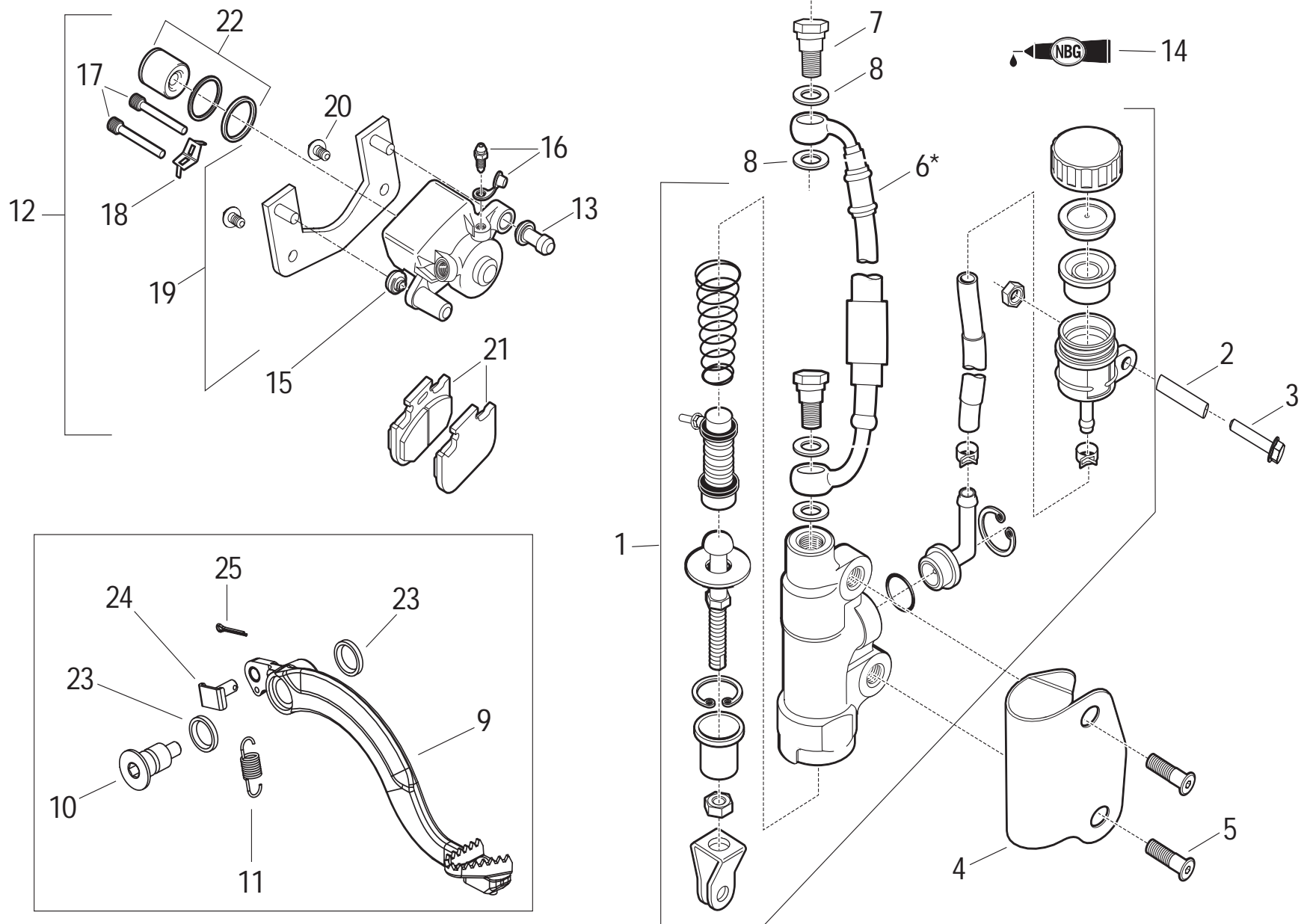
Front Brake Caliper



15	AR	073-5000268							NISSIN BRAKE GREASE, 2 GRAM	
14	1	073-6000014							BRAKE CALIPER PISTON KIT	
13	1	173-5000091							REAR BRAKE PAD SPRING	
12	1	172-5000098							REAR BRAKE PAD RETAINING PINS	
11	1	072-5000055							BRAKE CALIPER BLEEDER AND CAP	
10	1	073-5000050							BRAKE CALIPER BRACKET SLIDE PIN BOOT	
9	1	073-5000052							BRAKE CALIPER SLIDE PIN BOOT	
*	1	072-6000017							BRAKE PAD SET, R	
8	1	072-6000015							BRAKE PAD SET, L	
*	1	073-6000018							BRAKE CALIPER BRACKET, R	
7	1	073-6000016							BRAKE CALIPER BRACKET, L	
*	1	6000003							FRONT BRAKE CALIPER, RIGHT	
6	1	6000002							FRONT BRAKE CALIPER, LEFT	
5	4	6000277							FHB M8X16 mm	2 PER BRACKET
4	4	5001700							PHILLIPS BOLT	
3	2	5001013							FHB, M6X16 mm, NYLOK	
2	6	6000279							BRAKE LINE CLAMP	
*	1	6001042	X						BRAKE LINE, FRONT	
1	1	6000162		X		X	X		BRAKE LINE, FRONT	
ITEM NO	QTY REQD	DEALER PART NUMBER	MO	SP	GL	BZ	CN	DESCRIPTION		NOTES
			MODEL							
FRONT BRAKE CALIPER PARTS LIST										

Rear Brake

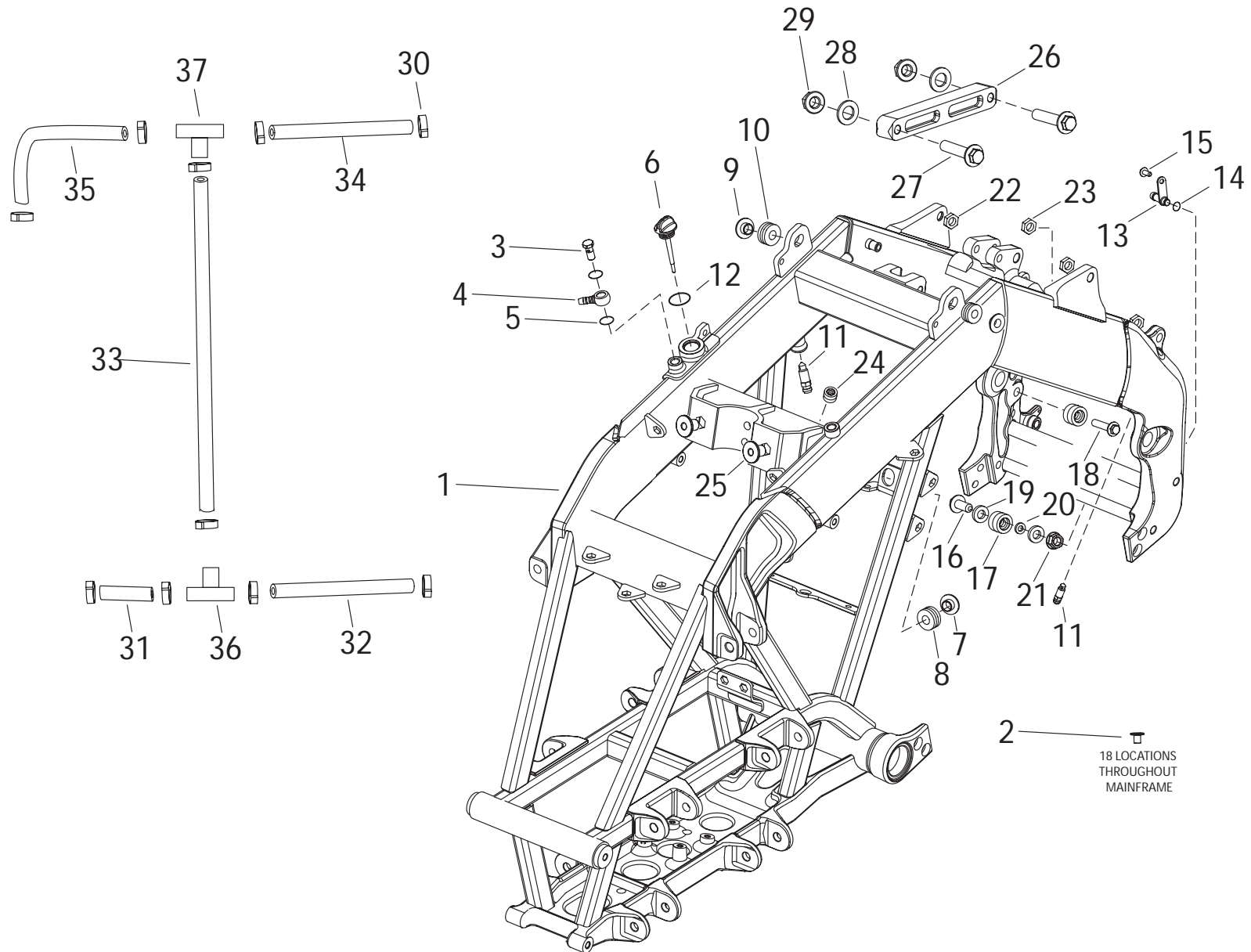
Rear Brake



25	1	5000413							YOKE PIN COTTER PIN	INCLUDED IN 6000307
24	1	5000109							BRAKE PEDAL YOKE PIN	INCLUDED IN 6000307
23	2	5000375							SEAL, 15X21X3	INCLUDED IN 6000307
22	1	6000014							BRAKE CALIPER PISTON KIT	
21	1	6000015							BRAKE PAD SET, L	
20	2	6000280							FHB, M8X14 mm	
19	1	6000016							BRAKE CALIPER BRACKET, L	
18	1	5000091							REAR BRAKE PAD SPRING	
17	1	5000098							REAR BRAKE PAD RETAINING PINS	
16	1	5000055							BRAKE CALIPER BLEEDER AND CAP	
15	1	5000050							BRAKE CALIPER BRACKET SLIDE PIN BOOT	
14	AR	5000268							NISSIN BRAKE GREASE, 2 GRAM	
13	1	5000052							BRAKE CALIPER SLIDE PIN BOOT	
12	1	6000006							REAR BRAKE CALIPER	
11	1	5000112							SPRING, BRAKE PEDAL	
10	1	5000399							BOLT, BRAKE PEDAL	
9	1	6000307							REAR BRAKE PEDAL ASSEMBLY	
8	4	5001549							WASHER, CRUSH, ALUMINUM	
7	2	6000242							BOLT, BANJO, M10X22 mm	
*	1	6001036	X				X		REAR BRAKE LINE	
6	1	6000166		X	X			X	REAR BRAKE LINE	
5	2	5000126							SHCS, M8X20 LOWHEAD NYLOK/ZINC	
4	1	5001268							REAR BRAKE MASTER CYLINDER GUARD	
3	1	5000862							FLANGE-HEAD BOLT, M6X40 - NYLOK	
2	1	6000378							SPACER, REAR BRAKE RESERVOIR	
1	1	6000001							REAR BRAKE MASTER CYL ASSY	
ITEM NO	QTY REQD	DEALER PART NUMBER	MO	SP	GL	BZ	CN	DESCRIPTION		NOTES
REAR BRAKE PARTS LIST										

Mainframe

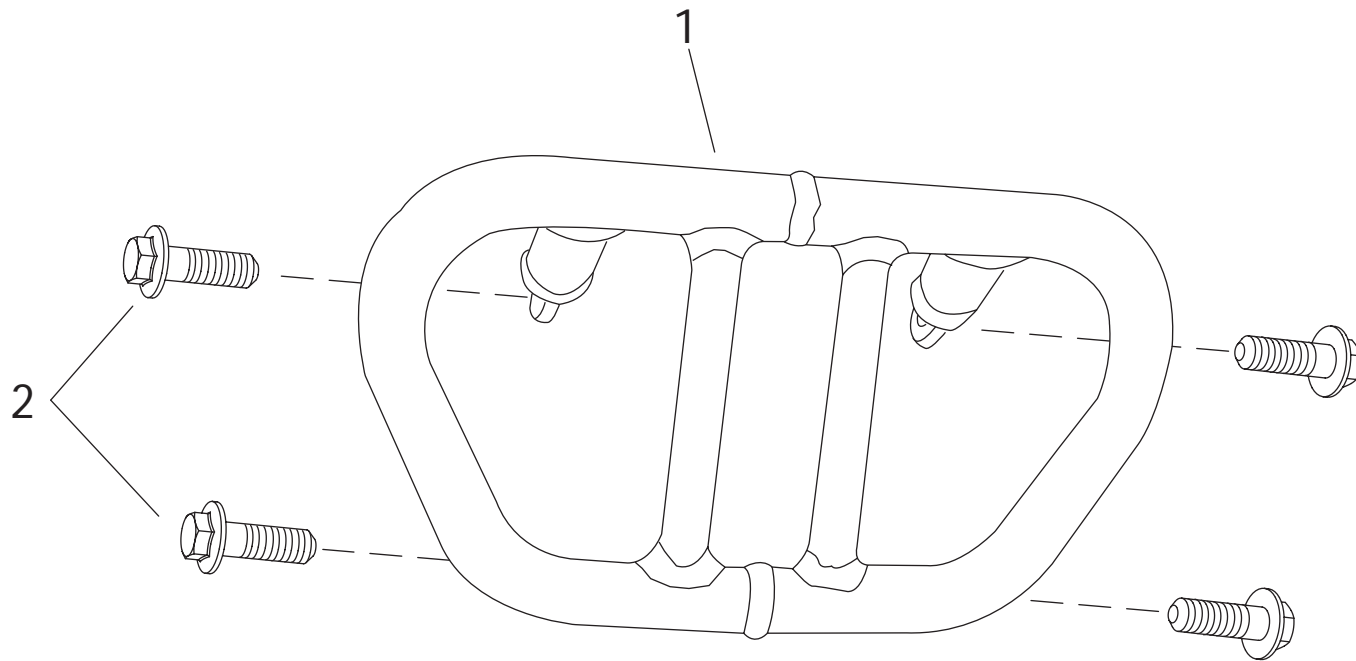
Mainframe



37	1	6000859						T-FITTING, 3/8, BRASS	
36	1	6000858						T-FITTING, 1/4, 1/4, 3/8, BRASS	
35	1	6000861						HOSE, OIL, SPAR to T	
34	1	6000860						HOSE, OIL, STARTER to T, 177.8 mm	
33	1	6000857						HOSE, OIL, T to T, 450.85 mm	
32	1	6000426-01						HOSE, OIL, 140 mm	
31	1	6000425-02						HOSE, OIL, 50 mm	
30	10	5002323						OETIKER HOSE CLAMP, 19.8 mm	
29	2	5000140						LOCKNUT, M8	
28	2	5000713						FLAT WASHER, M8	
27	2	6000412						FHCS, M8X55 mm	
26	1	6000041						REAR SHOCK STRUT	
25	2	6000251						RIVNUT, M8	
24	1	6000313						GROMMET, 5/16 ID	
23	1	5001593						THREADED INSERT, M8	INCLUDED IN 201-6000656
22	4	5000190						THREADED INSERT, M8	INCLUDED IN 201-6000656
21	1	5000140						LOCKNUT, M8	
20	1	5001374						CHAIN ROLLER SPACER	
19	2	5000713						FLAT WASHER, M8	
18	1	5001629						HHCS, M8X65 ZINC	
17	2	5000524						DRIVE CHAIN ROLLER	
16	1	5000863						FLANGE-HEAD BOLT, M8X40 - NYLOK	
15	1	5001184						FHB, M6X12 mm, NYLOK	
14	1	5000828						O-RING, 016	
13	1	5000233-E						ENGINE OIL FITTING	
12	2	6000595						ENGINE OIL DIPSTICK SEAL	
11	2	5000480						ENGINE OIL RESERVOIR DRAIN FITTING	
10	2	5001578						GROMMET	
9	2	5001579						TOP-HAT WASHER	
8	2	5000178						GROMMET, 3/8 ID	
7	2	5000719-03						TOP-HAT WASHER	
6	1	6000394-02						ENGINE OIL FILL DIPSTICK	
5	4	5001549						WASHER, CRUSH, ALUMINUM	
4	2	5001501						BANJO FITTING	
3	2	5001502						BANJO BOLT	
2	18	5000888						RIV NUT, M6	INCLUDED IN 201-6000656
1	1	201-6000656-03						MAIN FRAME WELDMENT	
ITEM NO	QTY REQD	DEALER PART NUMBER	MO	SP	GL	BZ	CN	DESCRIPTION	NOTES
								MODEL	
MAINFRAME, SIDE PARTS LIST									

Brush Guard

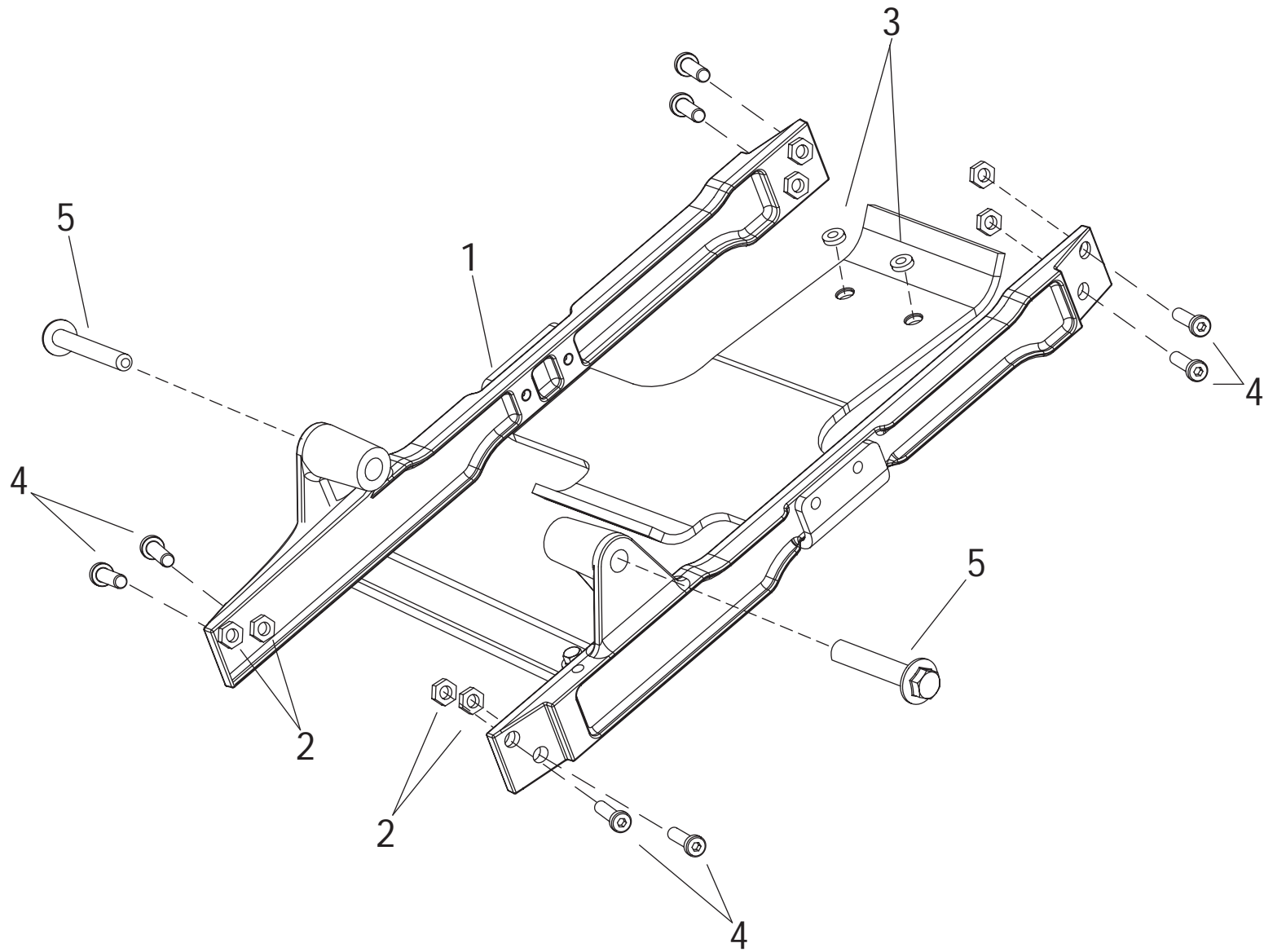
Brush Guard



2	4	6000252							FHB M8X25 mm	
*	1	6000789						X	BRUSH GUARD WELDMENT, STEEL	
1	1	6000680	X	X	X	X			BRUSH GUARD WELDMENT, ALUMINUM	
ITEM NO	QTY REQD	DEALER PART NUMBER	MO	SP	GL	BZ	CN	DESCRIPTION		NOTES
			MODEL							
BRUSH GUARD PARTS LIST										

Engine Rail

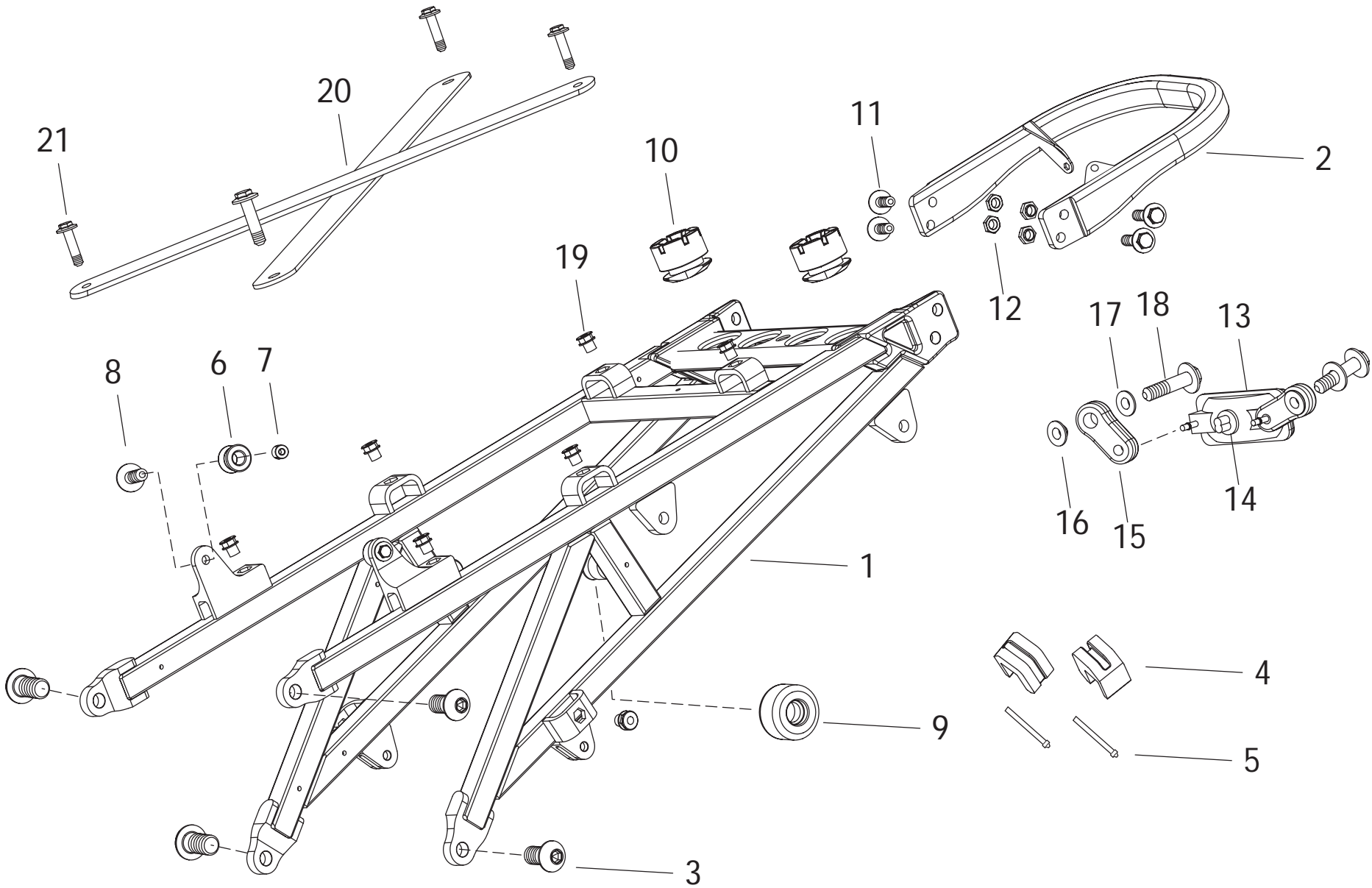
Engine Rail



5	2	5000527							FHB, M10X90 mm, NY LOCK	
4	8	6000391							SHCS M8X30 mm, SS	
3	2	6000424							GROMMET, 9/16 X 5/16	INCLUDED IN 201-6000659
2	8	5000190							THREADED INSERT, M8	INCLUDED IN 201-6000659
1	1	201-6000659							ENGINE RAIL WELDMENT	
ITEM NO	QTY REQD	DEALER PART NUMBER	MO	SP	GL	BZ	CN	MODEL	DESCRIPTION	NOTES
ENGINE RAILS PARTS LIST										

Subframe

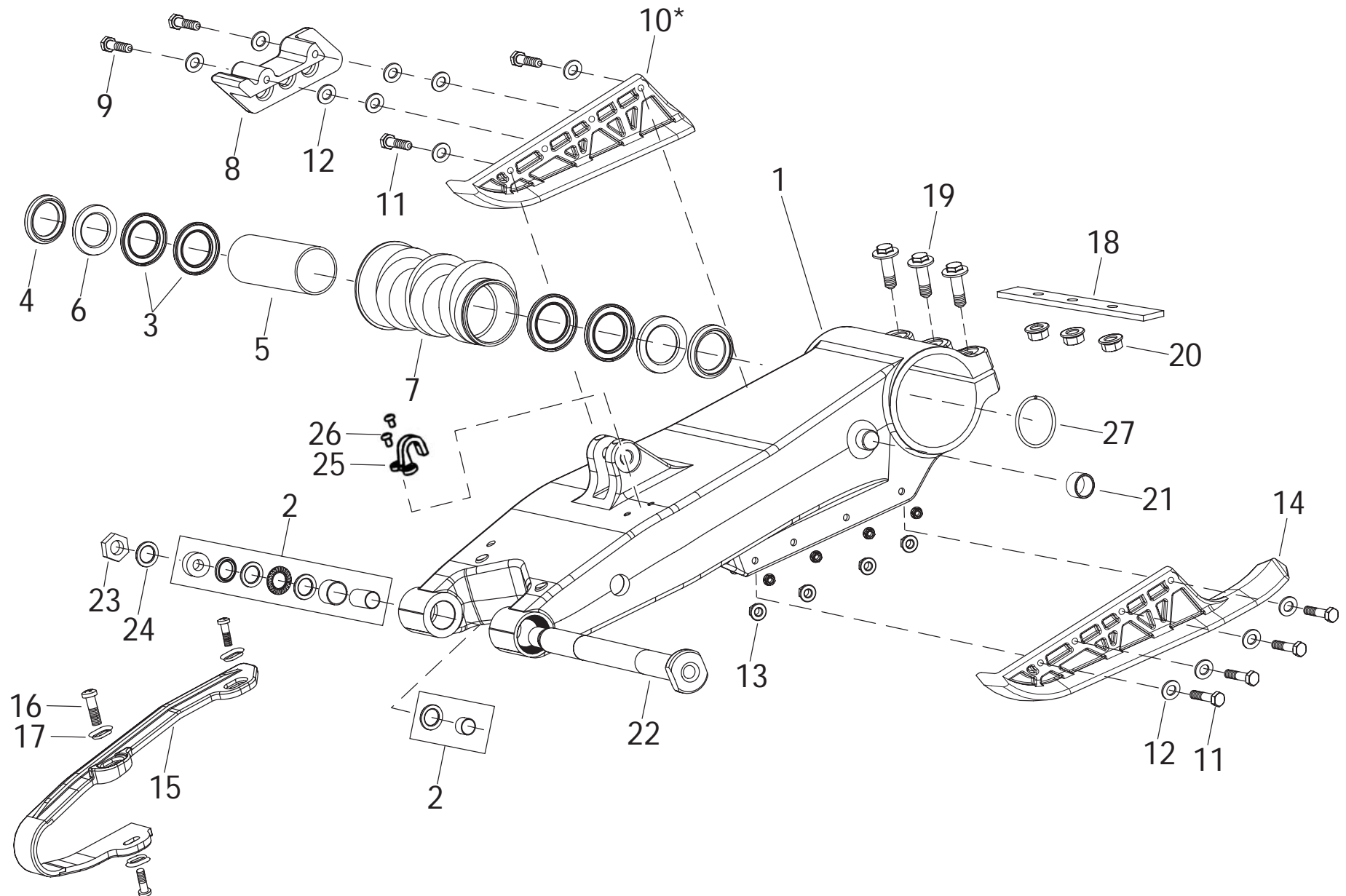
Subframe



21	4	5000095							FHB, M6X20 - NYLOK	
20	2	6000111							SUBFRAME CROSSBRACE	
19	10	5000888							RIV NUT, M6	INCLUDED IN 201-6000657
18	2	5000093							FHB, M6X25 - NYLOK	
17	2	5000192							FLAT WASHER, M6	
16	2	5000719-03							TOP-HAT WASHER	
15	2	6000370							TAILLIGHT MOUNTING BUSHING	
14	1	6000548							BULB, TAILLIGHT, 12V (#168)	
13	1	6000289							REAR TAILLIGHT	
12	4	5000190							THREADED INSERT, M8	INCLUDED IN 201-6000658
11	4	6000252							FHB M8X25 mm	
10	2	6000114							GROMMET, SEAT MOUNT	
9	2	6000112							GROMMET, GAS TANK, REAR	
8	2	5001013							FHB, M6X16 mm	
7	2	6000107							PIN, SEAT GUIDE	
6	2	5000803							GROMMET	
5	2	5001237							ZIP TIE - ISOLATION BLOCK	
4	2	5000868							U-SHAPE ISOLATION BLOCK	
3	4	6000116							BOLT, SHOULDER, M8X15 mm	
2	1	201-6000658							GRAB RAIL WELDMENT	
1	1	201-6000657							SUBFRAME WELDMENT	
ITEM NO	QTY REQD	DEALER PART NUMBER	MO	SP	GL	BZ	CN	DESCRIPTION		NOTES
							SUBFRAME PARTS LIST			

Swingarm

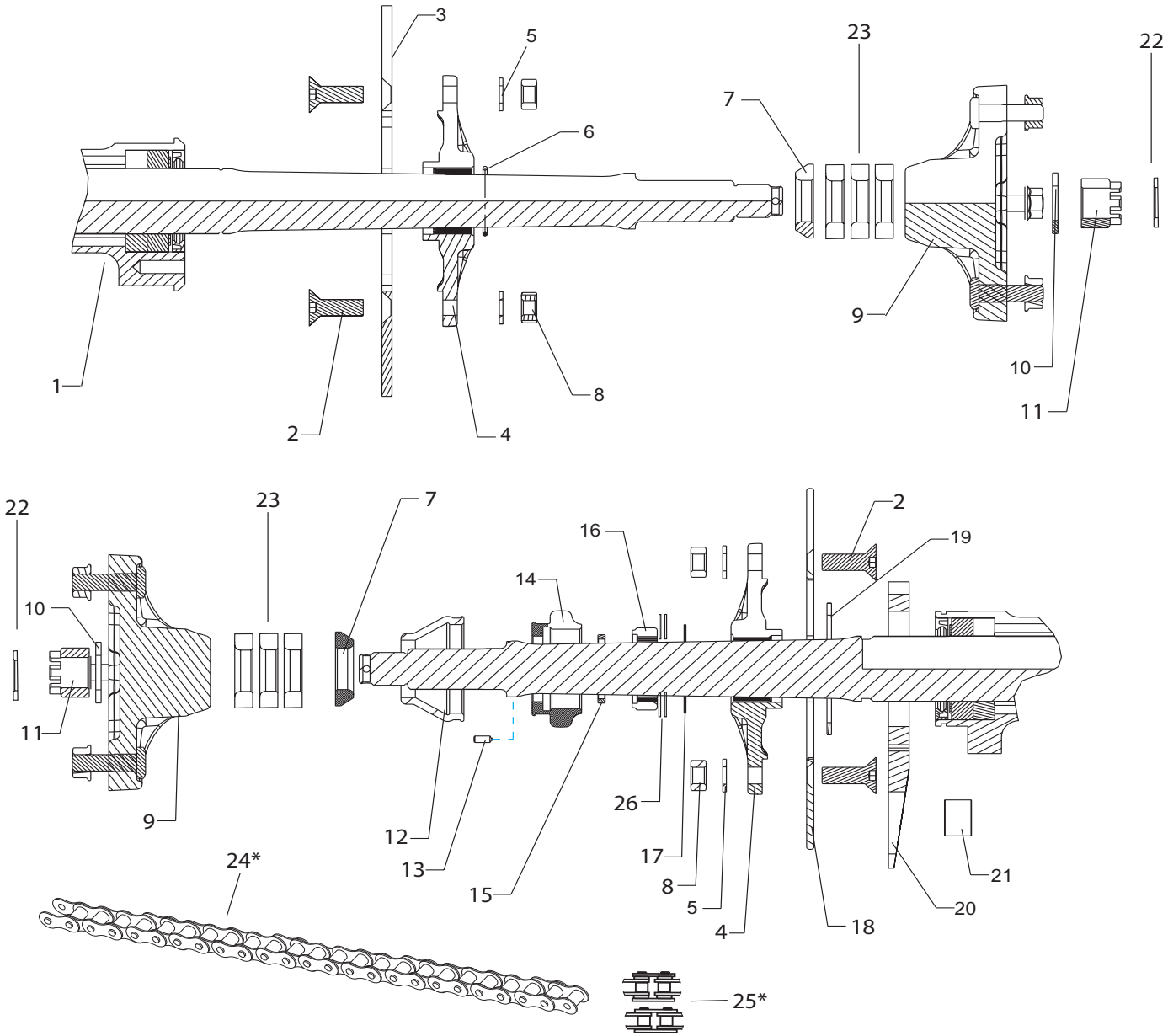
Swingarm



27	1	6000135							AXLE CARRIER STOP	
26	2	5000726							PHILLIPS HD SCREW,M5X8,NYLOK	
25	1	5000087							REAR BRAKE LINE GUIDE	
24	1	5000439							WASHER, FLAT, M14	
23	1	5000152							NUT, LOCK, M14X1.5	
22	1	5000142-13							SWINGARM PIVOT BOLT	
21	1	6000460-03							BUSHING, SWNGARM BK TRQ STOP	
20	4	5001957							NUT, FLANGE,M8	
19	4	5000100							FLANGE-HEAD BOLT, M8X45 mm	
18	1	6000250							SWINGARM ECCENTRIC HSG SEAL	
17	3	5001470							TOP-HAT WASHER, BUFFER	
16	3	5001468							PHILLIPS HD SCREW, M6X16, NYLOK	
15	1	6000605							SWINGARM BUFFER	
14	1	6000138							ROTOR GUARD	
13	8	5000434							NUT, HEX FLANGE, M6	
12	12	5000192							FLAT WASHER,M6	
11	6	6000257							HHCS, M6X35 mm	
*	1	6001130	X						CHAIN GUARD	
10	1	6000140							SPROCKET GUARD	
9	2	6000258							HHCS, M6X70 mm	
8	1	6000139							DRIVE CHAIN BLOCK GUIDE	
7	1	6000129							AXLE ECCENTRIC	
6	2	6000461							AXLE PRELOAD NUT WASHER	
5	1	6000136-03							AXLE ECCENTRIC SPACER TUBE	
4	2	6000012							SEAL, LIP, 48X62X8, mm	
3	4	6000028							BEARING, REAR AXLE ECCENTRIC	
2	1	5000814							SWINGARM BEARING & SEAL KIT	INCLUDED IN 252-6000726
1	1	252-6000726-01							SWINGARM WELDMENT	ALSO ARE (2) 5002220, (1) 5002154, (1) 5002154
ITEM NO	QTY REQD	DEALER PART NUMBER	MO	SP	GL	BZ	CN	DESCRIPTION		NOTES
							MODEL			
SWINGARM PARTS LIST										

Rear Axle

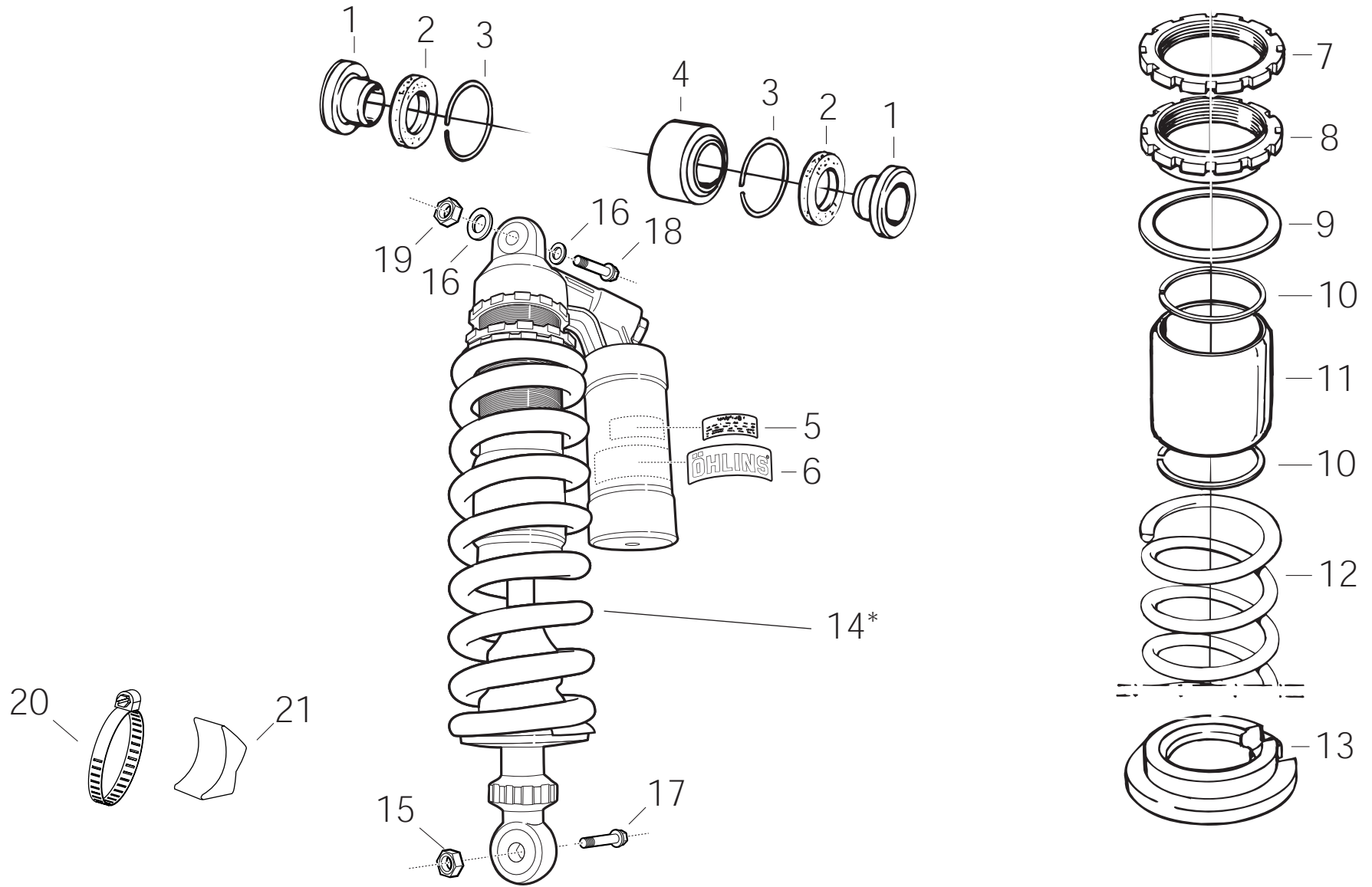
Rear Axle



26	2	6001233	X						DISC SPRING, BEARING PRELOAD	
*	1	5001847	X						MASTER LINK	
25	1	6000315		X	X	X	X		MASTERLINK, O-RING	
*	1	6001118	X						DRIVE CHAIN, 96 LINKS	
24	1	6000577-01		X	X	X	X		DRIVE CHAIN, O-RING, 96 LINKS	
23	6	6001084	X						SPACER, MFX REAR AXLE	
22	2	6000999	X						SNAP RING, M18	
21	1	6000460							BUSHING, SWNGARM BK TRQ STOP	
20	1	6000141							DISC BRAKE MOUNTING PLATE, RR	
19	1	6000133							CIRCLIP, ID	
*	1	6001035	X				X		REAR ROTOR	
18	1	6000634		X	X		X		REAR ROTOR	
17	1	6000461							AXLE PRELOAD NUT WASHER	
16	1	6000137							AXLE BEARING PRELOAD SCREW	
*	1	6000135	X						AXLE CARRIER STOP	
15	1	6000398		X	X	X	X		PRELOAD RETAINER	
14	1	6000128							AXLE BEARING PRELOAD NUT	
13	1	5000379							SHCS,M4X12 ZINC	
12	1	6000125							REAR AXLE BOOT	
*	2	6001106	X						NUT, LOCK, M20X1.5, NYLOCK	
11	2	6000255		X	X	X	X		NUT, CASTLE, M20	
10	2	6000628							WASHER, 20.6X38.1X3.6mm	
8	8	5000146							LOCKNUT,M10	
7	2	6000134							AXLE HUB SPACER, REAR	
6	1	6000135							AXLE CARRIER STOP	INCLUDED W/ AXLE
5	8	6000635							FLAT WASHER M10 HARDENED	
4	2	6000126							RR SPROCKET BK DISC CARRIER	QTY 1 INCLUDED W/ AXLE
*	1	6000507							REAR SPROCKET, 44T	
*	1	6001116	X						SPROCKET, REAR, 40T	
3	1	6000131		X	X	X	X		SPROCKET, REAR, 42T	
2	8	6000697							FHCS, M10X1.25x27 mm	
*	1	6001082	X						REAR WHEEL AXLE SUB ASSY	
1	1	6000325		X	X	X	X		REAR WHEEL AXLE SUB ASSY	
ITEM NO	QTY REQD	DEALER PART NUMBER	MO	SP	GL	BZ	CN	DESCRIPTION		NOTES
							REAR AXLE PARTS LIST			

Rear Shock

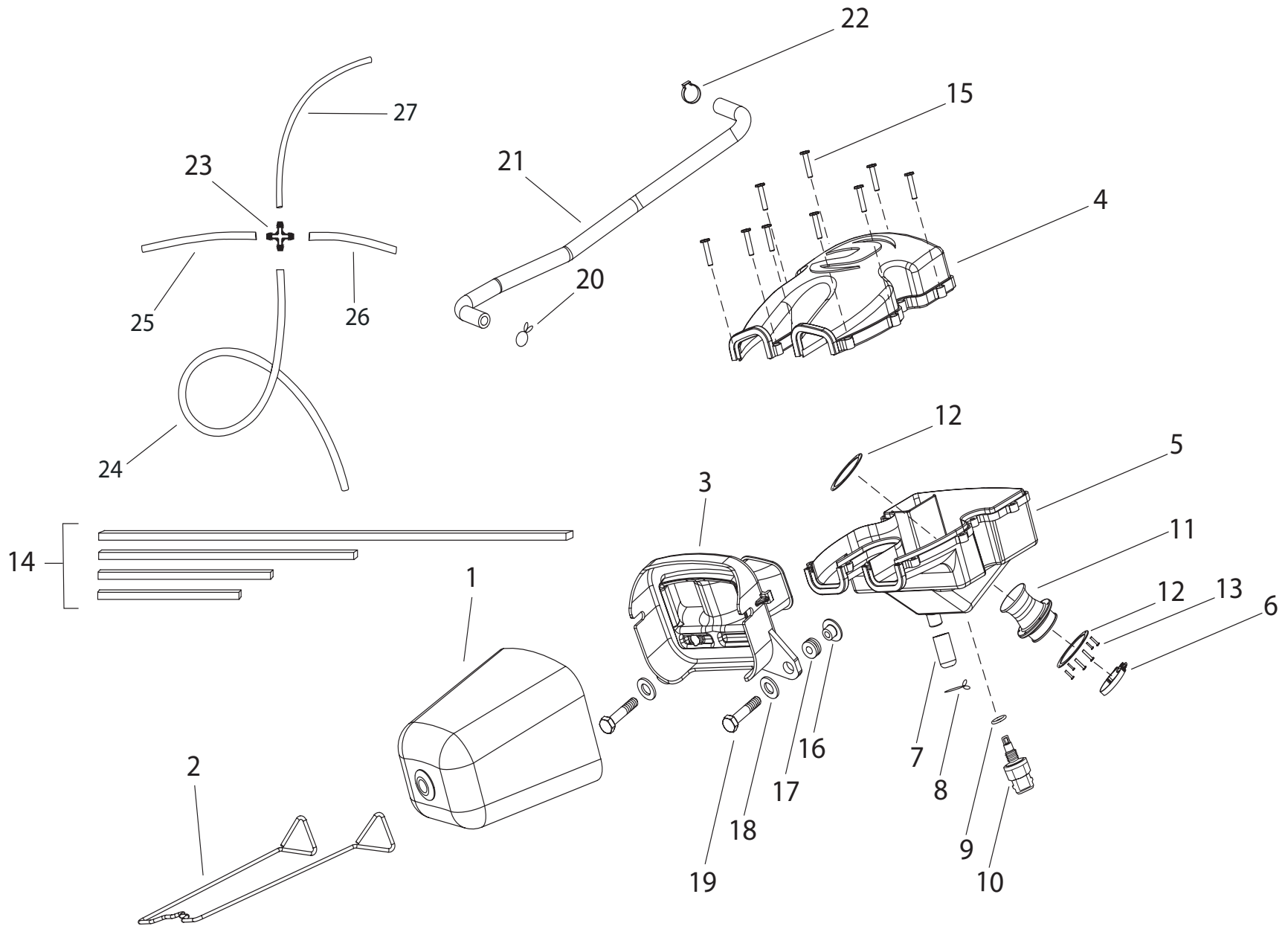
Rear Shock



		5000059						OHLINS REAR SHOCK SPRING - 95 N/mm	
		5000060						OHLINS REAR SHOCK SPRING - 100 N/mm	
		5000061						OHLINS REAR SHOCK SPRING - 105 N/mm	
		5001431						OHLINS REAR SHOCK SPRING - 110 N/mm	
		5001432						OHLINS REAR SHOCK SPRING - 115 N/mm	
ADDITIONAL PARTS									
21	2	6000761						MOUNTING BLOCK, FOX SHOCK	FOX
20	2	6000760						HOSE CLAMP, FOX SHOCK	FOX
19	1	5000146-01						LOCKNUT, M10	
18	1	5000119						FLANGE BOLT, M10 X 58	
17	1	5002154						FHB, M12 x 73mm SHOCK BOLT	
16	2	5000715						FLAT WASHER, M10	
15	1	5002191						LOCKNUT, M12	
*	1	6000744					X	FOX REAR SHOCK ABSORBER	FOX
*	1	6001182			X			REAR SHOCK ABSORBER, GLAMIS	OHLINS
*	1	6000241-01		X				REAR SHOCK ABSORBER	OHLINS
*	1	6001027-01	X					REAR SHOCK ABSORBER	OHLINS
14	1	6001029-01				X		REAR SHOCK ABSORBER	OHLINS
13	1	5000065						SHOCK SPRING RETAINER	OHLINS
12	1	-----						REAR SHOCK SPRING	SEE ADDITIONAL PARTS TABLE
11	1	5001299						SHOCK SPRING SLEEVE	OHLINS
10	2	5001298						SHOCK SPRING SLEEVE CIRCLIP	OHLINS
9	1	5001296						SHOCK SPRING SEAT WASHER	OHLINS
8	1	5000064						SHOCK SPRING SEAT	OHLINS
7	1	5001295						SHOCK SPRING PRELOAD LK RNG	OHLINS
6	1	5001330						RESERVOIR BODY OHLINS DECAL	OHLINS
5	1	5001331						RESERVOIR BODY WRNG DCL	OHLINS
4	2	5001291						SHOCK MOUNT BEARING	OHLINS
3	4	5001288						SHOCK MOUNT BEARING CIRCLIP	OHLINS
2	4	5001289						SHOCK MOUNT BEARING SEAL	OHLINS
1	4	5001290						SHOCK MOUNT BEARING SPACER	OHLINS
ITEM NO	QTY REQD	DEALER PART NUMBER	MO	SP	GL	BZ	CN	DESCRIPTION	NOTES
			MODEL						
REAR SHOCK PARTS LIST									

Airbox and Filter

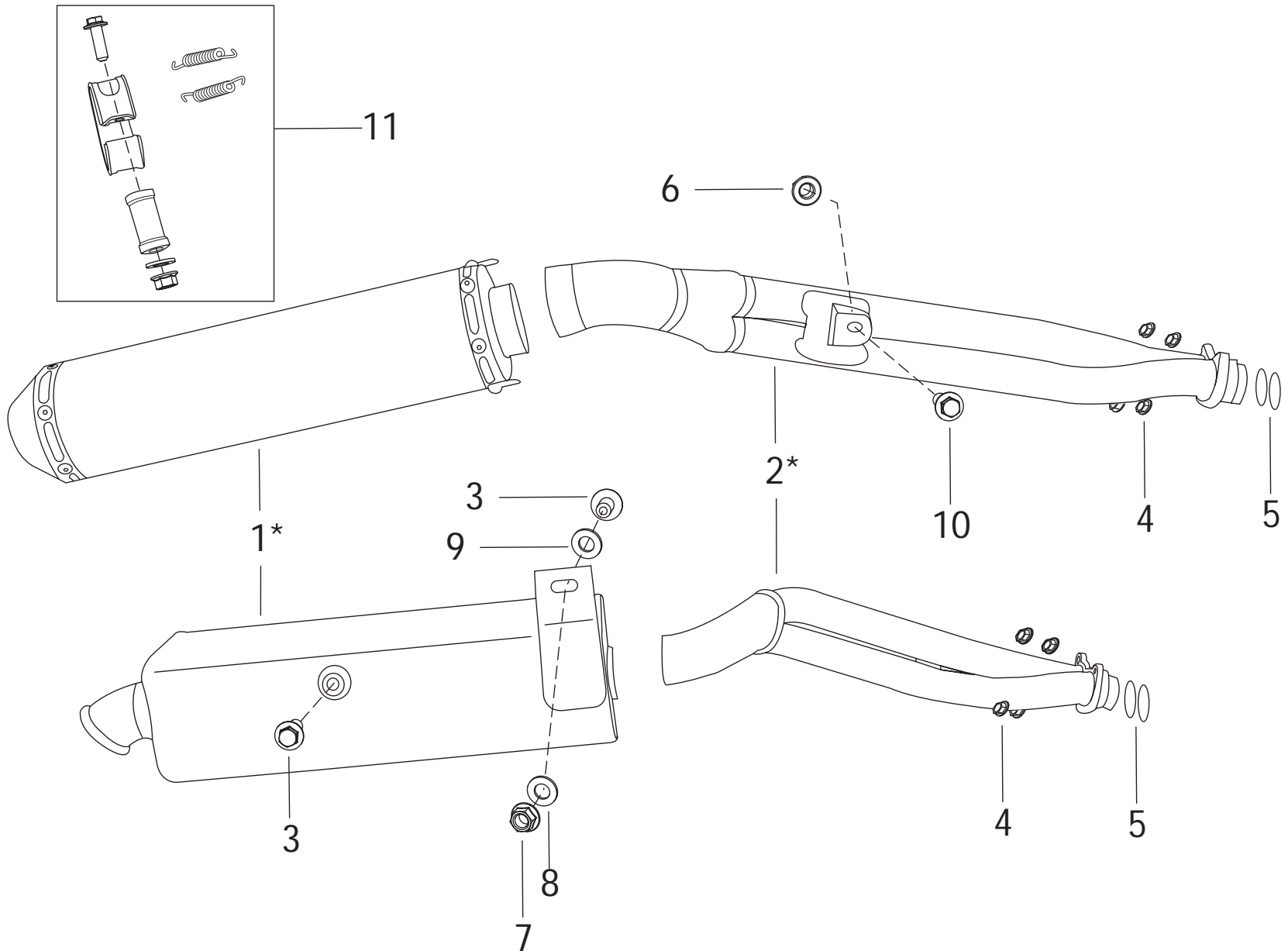
Airbox and Filter



27	1	5001556-03							VACUUM HOSE, 5/32" ID, 396 mm	TO ENGINE	
26	1	5000962							VACUUM HOSE, 5/32" ID, 185 mm	TO AIRBOX	
25	1	5001594							VACUUM HOSE, 5/32" ID, 355 mm	TO PRESSURE REGULATOR	
24	1	5001595							VACUUM HOSE, 5/32" ID, 609 mm	TO ECU	
23	1	5001596							4-WAY FITTING, VACUUM HOSE		
22	1	5002403							CLAMP, ONE-EAR, 15.7 mm		
21	1	6000207							HOSE, FRAME TO AIRBOX		
20	1	6000606							HOSE CLAMP, 16 mm		
19	2	5000350							FHB, M6X30 mm, NYLOK		
18	2	5000192							FLAT WASHER, M6		
17	2	5001578							GROMMET		
16	2	5001579							TOP-HAT WASHER		
15	9	6000582							SHCS, FLANGE, M4X16, ZINC		
*	1	6000672							AIRBOX GASKET		
*	1	6000673							AIRBOX GASKET		
*	1	6000674							AIRBOX GASKET		
14	1	6000675							AIRBOX GASKET		
13	6	5001238							RIVET AD45H		
12	2	5001239							INTAKE END RETAINING RING		
11	1	5000989							AIR FUNNEL		
10	1	5000403							AIR TEMPERATURE SENSOR		
9	1	5000487							O-RING, 2-012		
8	1	6000344							AIRBOX DRAIN HOSE CLAMP		
7	1	6000208							HOSE, AIRBOX DRAIN		
6	1	5001149							CLAMP, BAND		
5	1	6000202-04							AIRBOX BASE		
4	1	6000201-04							AIRBOX COVER		
3	1	6000203							AIR FILTER BASE PLATE		
2	1	6000206							AIR FILTER HOLD DOWN CLIP		
1	1	6000205							AIR FILTER		
ITEM NO	QTY REQD	DEALER PART NUMBER	MO	SP	GL	BZ	CN	MODEL		DESCRIPTION	NOTES
AIRBOX & FILTER PARTS LIST											

Exhaust

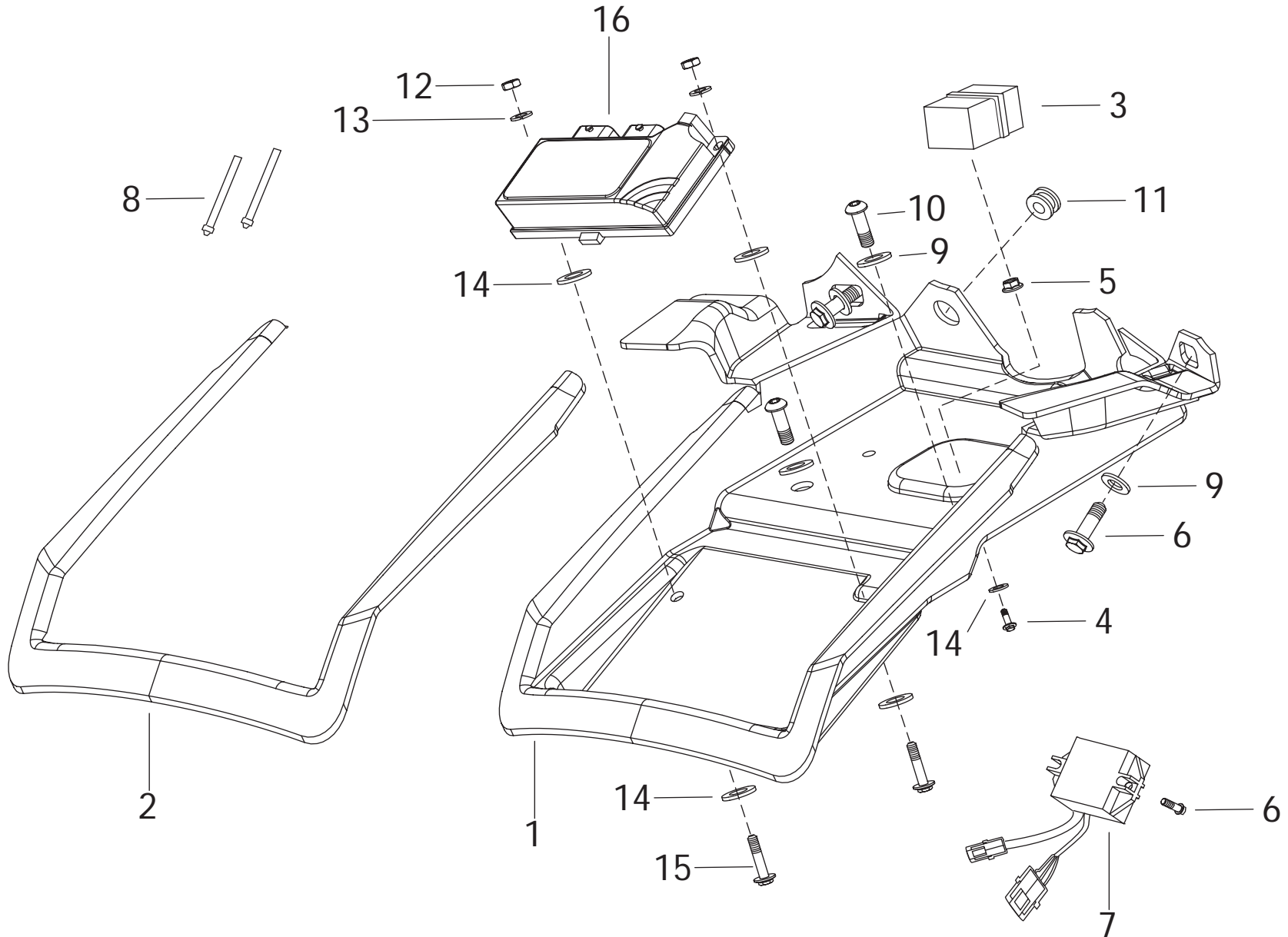
Exhaust



11	1	6001055K	X			X		EXHAUST SILENCER BRACKET KIT	
ADDITIONAL PARTS									
10	1	5000093	X			X		FHB M6x25 mm, NYLOCK	
9	1	5001451		X	X		X	FENDER WASHER, M8	
8	1	5000713		X	X		X	FLAT WASHER, M8	
7	1	5000140		X	X		X	LOCKNUT, M8	
6	1	6000314	X				X	NUT, LOCK, M6, ZINC	
5	2	5001345						EXHAUST CRUSH WASHER	
4	4	5001605						NUT, HEX FLANGE, M6-12PT	
3	2	6000252		X	X		X	FHB M8X25 mm	
*	1	6001054	X				X	EXHAUST, HEADER PIPE	
2	1	6000768		X	X		X	EXHAUST, HEADER PIPE	
*	1	6001055	X				X	EXHAUST, SILENCER	
1	1	6000769		X	X		X	EXHAUST, SILENCER	
ITEM NO	QTY REQD	DEALER PART NUMBER	MO	SP	GL	BZ	CN	DESCRIPTION	NOTES
			MODEL						
EXHAUST PARTS LIST									

Electrical Tray

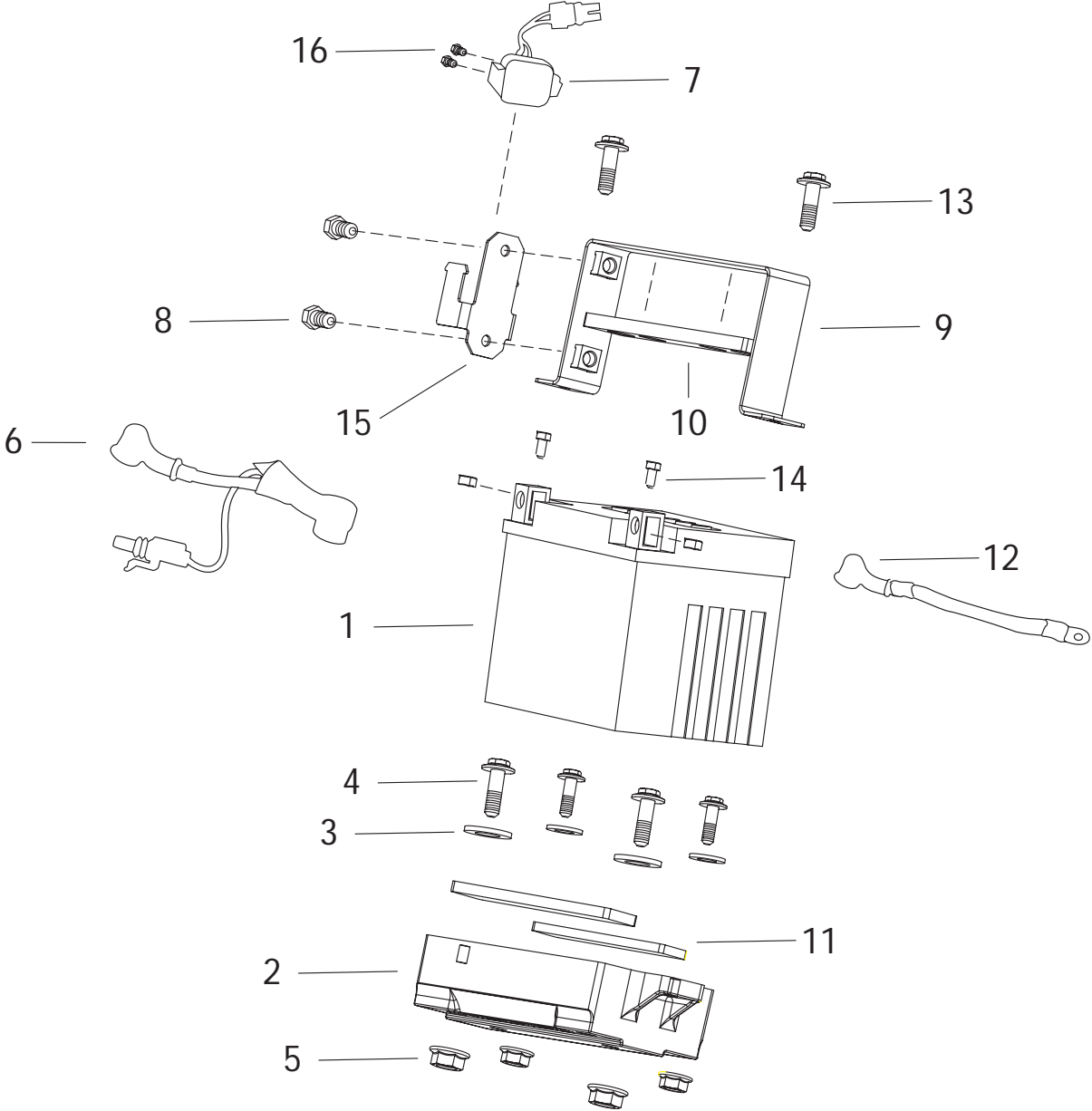
Electrical Tray



16	1	5001951							ELECTRONIC CONTROL MODULE	
15	2	5001944							FHB M5 x 25mm, ZINC	
14	5	5001584							WASHER, M5	BETWEEN ECU & TRAY
13	2	5001561							WASHER, M5, ZINC	
12	2	5001562							LOCKNUT, M5	
11	1	5000178							GROMMET, 3/8 ID	
10	2	6000462							BHCS, M6X16 mm, NYLOK, ZINC	
9	4	5000192							FLAT WASHER, M6	
8	2	5001237							ZIP TIE, 8 INCH	
7	1	6000350							VOLTAGE RECTIFIER/REGULATOR	
6	4	5000350							FHB, M6X30 mm, NYLOK	
5	1	5000570							NUT, HEX FLANGE, M5	RELAY TO TRAY
4	1	5000378							FHB, M5X12 mm, NYLOK	RELAY TO TRAY
3	1	5000411							MAIN POWER RELAY	
2	1	6000465-03							SEAL, ELECTRONICS TRAY	
1	1	6000583							BAFFLED ELECTRONICS TRAY	
ITEM NO	QTY REQD	DEALER PART NUMBER	MO	SP	GL	BZ	CN	DESCRIPTION		NOTES
			MODEL							
ELECTRICAL PARTS LIST										

Battery

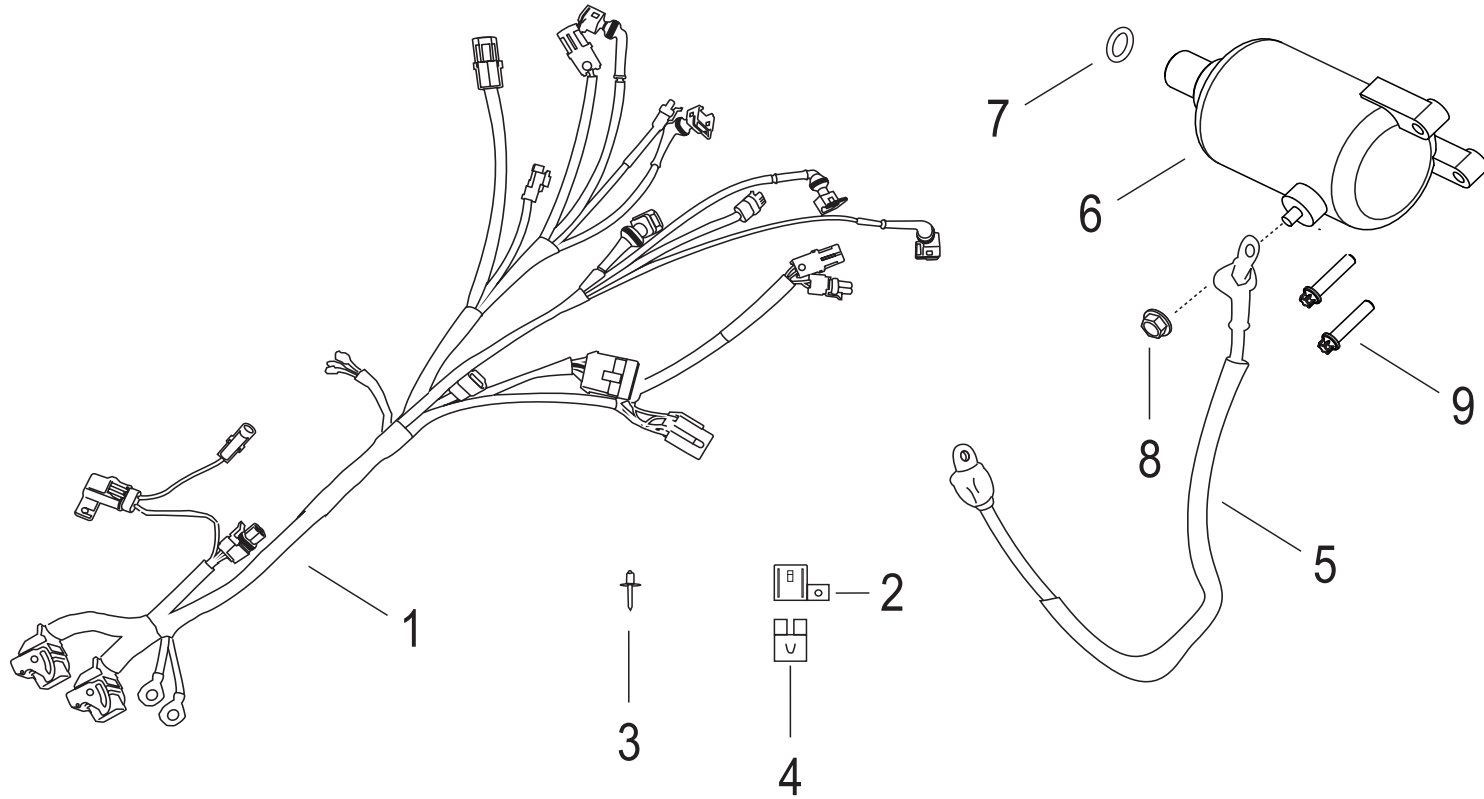
Battery



16	2	5002148							BOLT, BRASS, M6x7mm	
15	1	6001120							SOLENOID MNTING BRACKET	
14	1	6000797							BATTERY BOLT KIT	
13	2	5001013							FLNG HD BLT,M6X16,NLK	
12	1	6000330							NEGATIVE BATTERY CABLE	
11	2	6000199							ISOLATION STRIP, 87X24X5 mm	
10	1	6000640							ISOLATION STRIP, 143X33X8 mm	
9	1	6000198							BATTERY STRAP	
8	2	6001132							HHCS M6X10mm	
7	1	5001962-01							STARTER SOLENOID, MS5E-541	
6	1	6000329							POSITIVE BATTERY CABLE	
5	4	5000434							NUT, HEX FLANGE, M6	
4	4	5000095							FHB, M6X20,mm, NYLOK	
3	4	5001514							TOP-HAT WASHER	
2	1	6000197-02							BATTERY BOX	
1	1	6000298							BATTERY	
ITEM NO	QTY REQD	DEALER PART NUMBER	MO	SP	GL	BZ	CN	DESCRIPTION		NOTES
			MODEL							
BATTERY PARTS LIST										

Wiring Harness

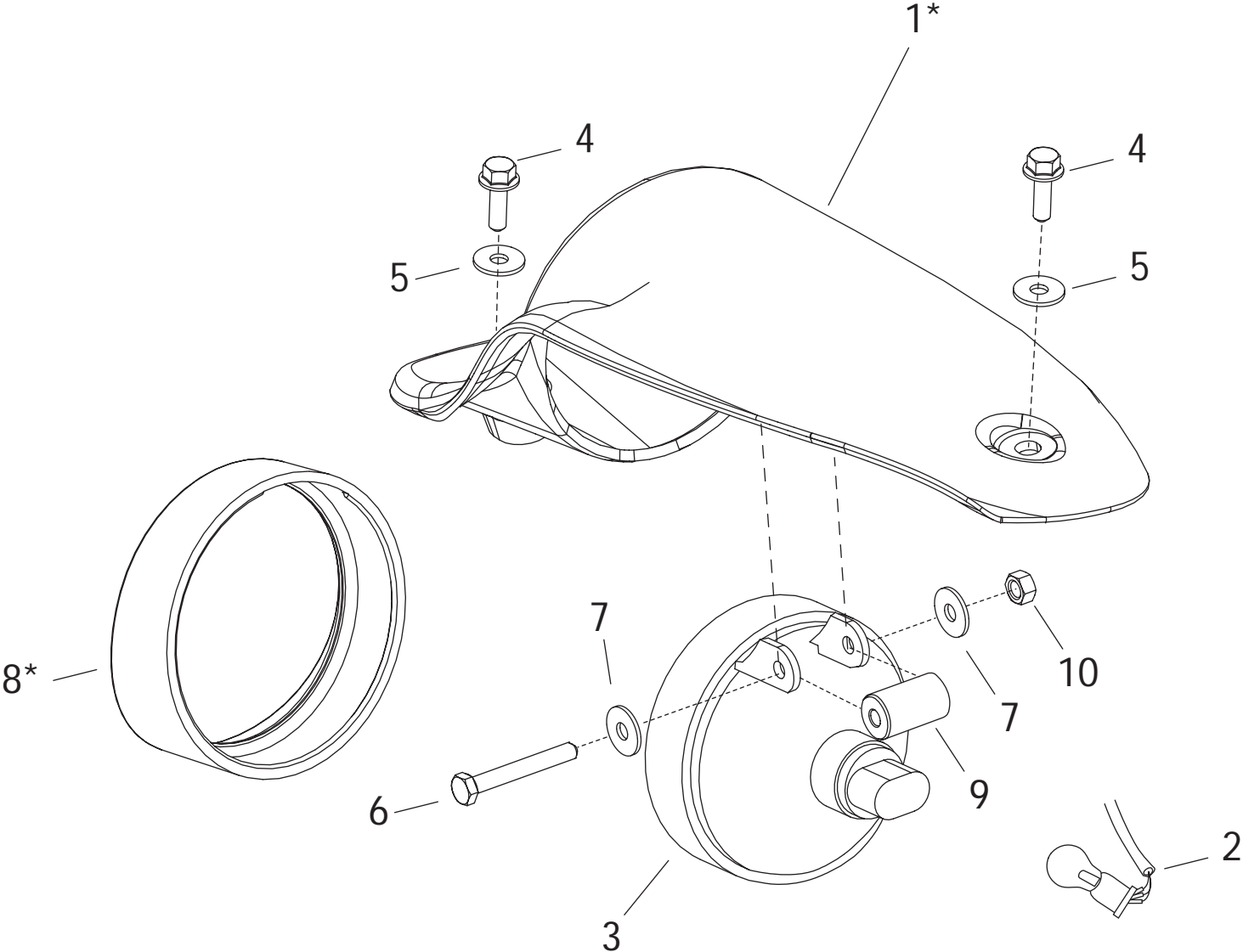
Wiring Harness



9	2	5001946							FHB, M6 x 30 mm, ZINC	
8	1	5000434							NUT, HEX FLANGE, M6	
7	1	5002594							O-RING, STARTER MOTOR	
6	1	5000011							STARTER MOTOR, 12V 0.65KW	
5	1	6000328							STARTER MOTOR CABLE	
4	1	6000677							FUSE, 20 AMP, YELLOW	
3	1	5001240							FUSE HOLDER RIVET	
2	1	5001435							FUSE HOLDER	
1	1	6000668-09							WIRING HARNESS	
ITEM NO	QTY REQD	DEALER PART NUMBER	MO	SP	GL	BZ	CN	DESCRIPTION		NOTES
			MODEL							
WIRING HARNESS PARTS LIST										

Headlight

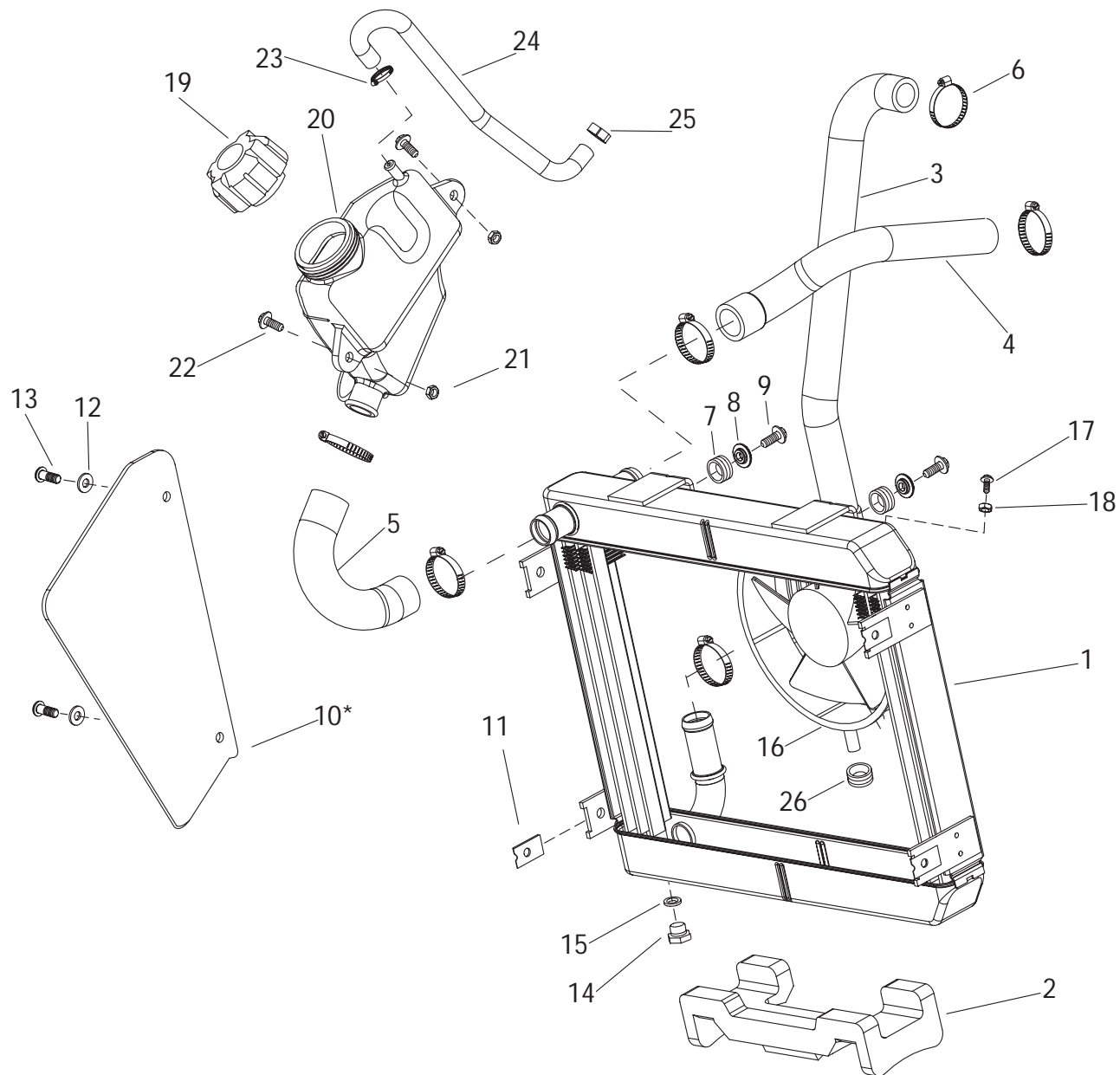
Headlight



10	2	5000434							NUT, HEX FLANGE, M6	
9	2	6001201							HEADLIGHT PIVOT SPACER	
*	1	6001156R							RIGHT HEADLIGHT SEAL	
8	1	6001156L							LEFT HEADLIGHT SEAL	
7	4	5002430							M6, LOCK WASHER	
6	2	5002197							FHB, M6X45 mm	
5	4	5000192							M6, FLAT WASHER	
4	4	5002440							BHCS, M6X25 mm, ZINC, NYLOCK	
3	1	6000171-01							HEADLIGHT ASSEMBLY	
2	1	6000489							BULB, HEADLIGHT, 12V 37.5W	INCLUDED IN 6000171-01
*	1	6001184			X				HEADLIGHT COVER, SET, ORANGE	
*	1	6001153	X				X		HEADLIGHT COVER, SET, RED	
*	1	6001152		X					HEADLIGHT COVER, SET, YELLOW	
*	1	6001199						X	HEADLIGHT COVER, SET, SILVER	
1	1	6001198						X	HEADLIGHT COVER, SET, BLUE	
ITEM NO	QTY REQD	DEALER PART NUMBER	MO	SP	GL	BZ	CN	DESCRIPTION		NOTES
							MODEL			
HEADLIGHT PARTS LIST										

Cooling System

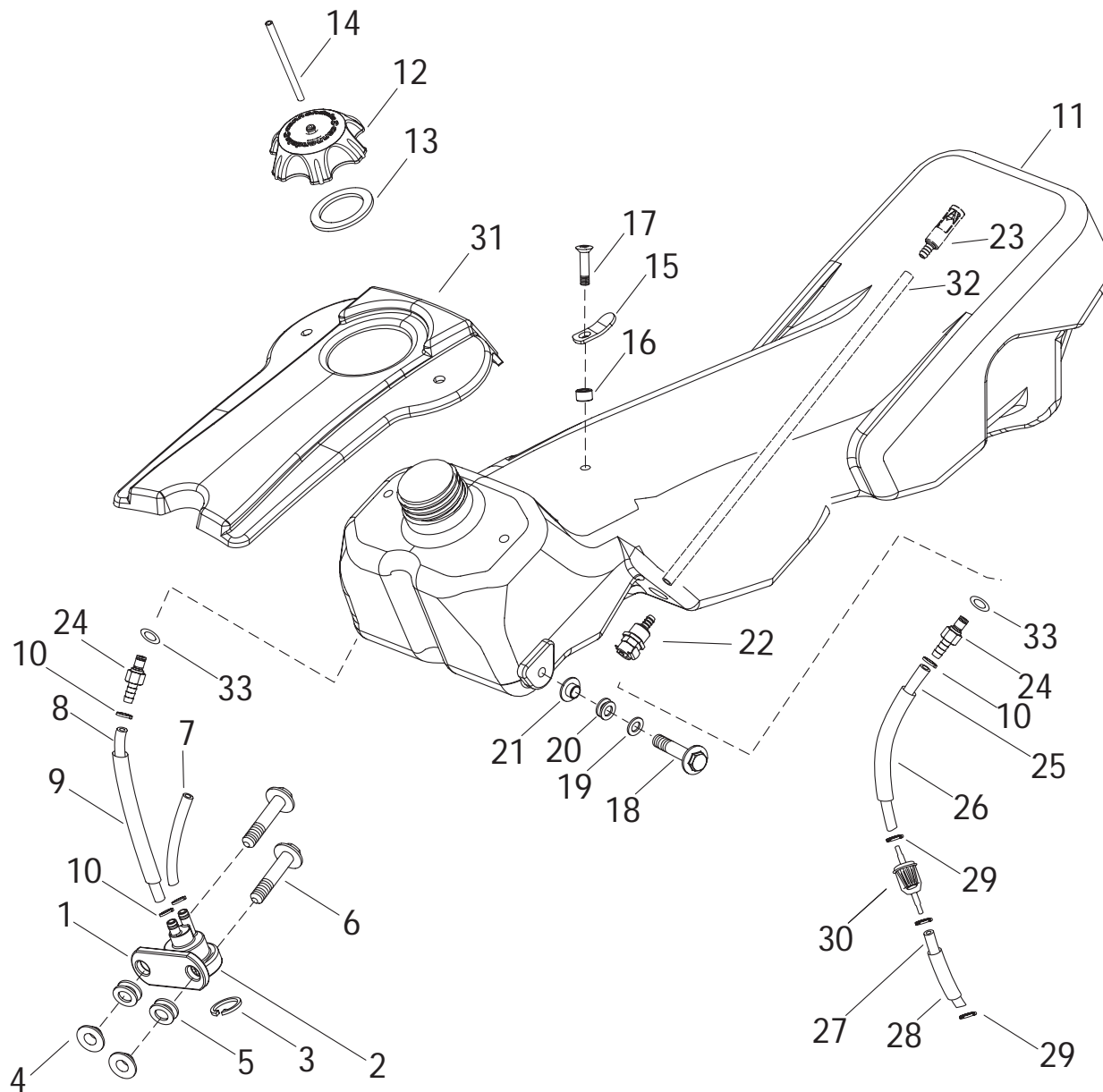
Cooling System



26	1	6000313						GROMMET, 5/16 ID	
25	1	5001607						OTKR HSE CLAMP,12.3mm	
24	1	6000681						HOSE,COOLANT BLEED	
23	1	5002278						HOSE CLAMP,DOUBLE WIRE, 11mm	
22	2	5001013						FHB, M6X16 mm, NYLOK	
21	2	5000434						NUT, HEX FLANGE, M6	
20	1	6000220-05						COOLANT RESERVIOR BOTTLE	
19	1	6000262-02						COOLANT BOTTLE CAP	
18	2	5001184						FHB, M6X12 mm, NYLOK	TO FAN
17	2	6000314						NUT, LOCK, M6	TO FAN
16	1	6000311						RADIATOR FAN	
15	1	5000484						O-RING, 2-013	
14	1	5001511						RADIATOR, DRAIN PLUG	
13	2	6000462						BHCS, M6X16 mm, ZINC	
12	2	5000192						FLAT WASHER, M6	
11	4	5000323						TINNERMAN CLIP	
*	1	6000506-01						RADIATOR GUARD, LEFT	
10	1	6000505-01						RADIATOR GUARD,RIGHT	
9	2	5000095						FHB, M6X20, mm, NYLOK	
8	2	5000719-03						TOP-HAT WASHER	
7	2	5000178						GROMMET, 3/8 ID	
6	6	5000543						HOSE CLAMP, 14 - 27 mm	
5	1	6000223						HOSE, COOLANT, RAD TO RES	
4	1	6000222						HOSE, COOLANT, RAD TO OUT CVR	
3	1	6000221						HOSE, COOLANT, RAD TO PUMP	
2	1	6000219						RADIATOR SADDLE	
1	1	6000218						RADIATOR	
ITEM NO	QTY REQD	DEALER PART NUMBER	MO	SP	GL	BZ	CN	DESCRIPTION	NOTES
COOLING SYSTEM PARTS LIST									

Fuel Tank and Regulator

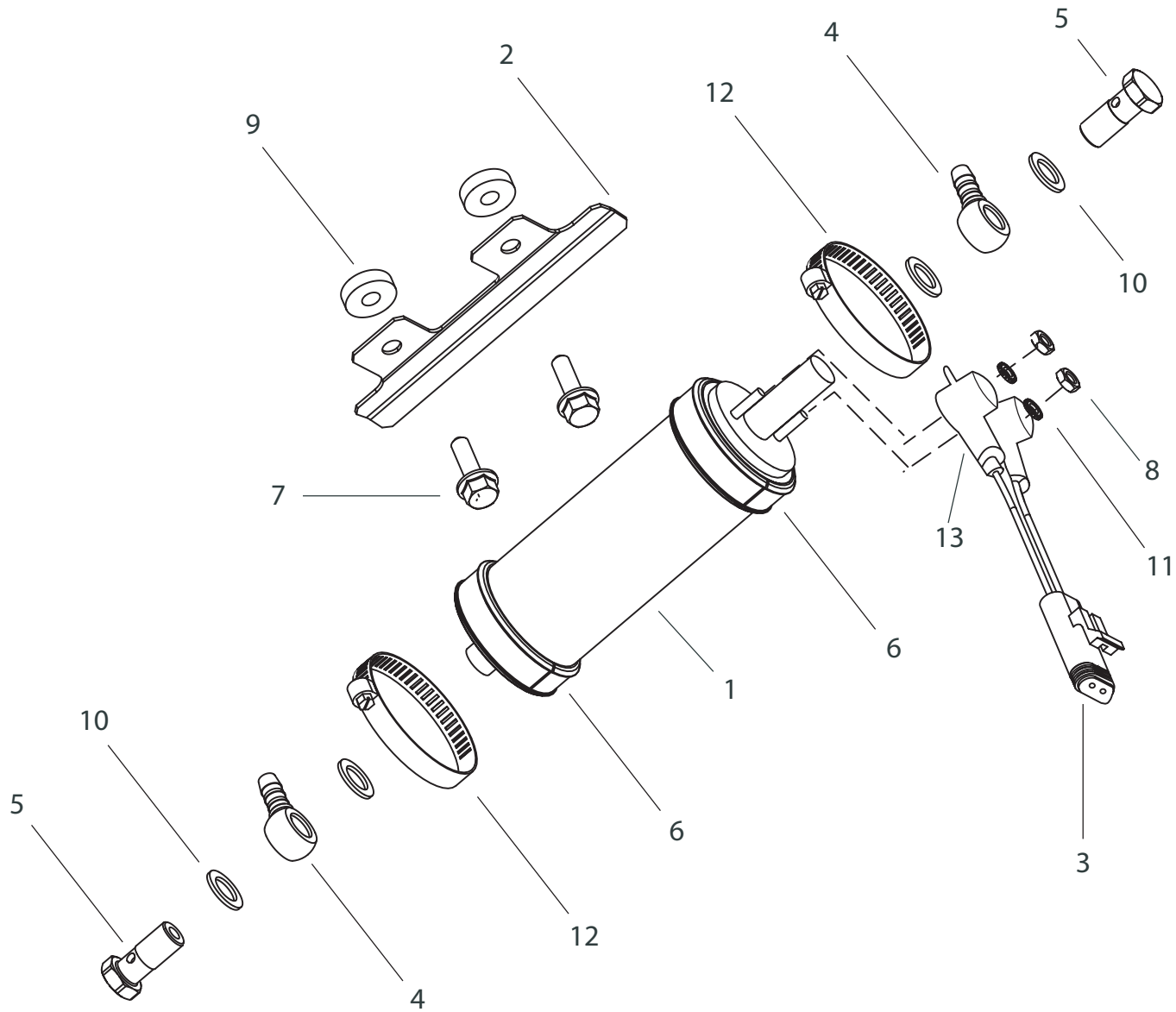
Fuel Tank and Regulator



33	1	5001137							O-RING, 008	
32	1	6001154							FUEL PICKUP TUBE	
31	1	6000591							AIRBOX LID	
30	1	5000544							FUEL FILTER	
29	3	5000793							HOSE CLAMP,5.6-16M	
28	1	6000316							HOSE SHEATH,10X110mm	
27	1	6000318							HOSE, FUEL, 130 mm	
26	1	6000838							HOSE SHEATH,10X200 mm	
25	1	6000839							FUEL HOSE, 230mm	
24	2	5000325-02							FUEL TANK MALE BARBED INLET	
23	1	5001778							FUEL TANK FILTER	
22	2	5002140-02							FL TNK FMALE QUICK CONNECT	
21	2	5001579							TOP HAT WASHER	
20	2	5001578							GROMMET	
19	2	5000192							FLAT WASHER, M6	
18	2	5000093							FHB, M6X25 mm, NYLOCK	
17	1	5000137							FHCS,M6X16 mm, ZINC	
16	1	6000446-02							SPACER, SEAT CATCH	
15	1	6000388							SEAT CATCH	
14	1	5000175							FUEL TANK BREATHER HOSE	
13	1	5000873							FUEL TANK CAP GASKET	
12	1	5000169-01							FUEL TANK CAP	
11	1	351-6000733							FUEL TANK	
10	4	5001607							OETIKER HOSE CLAMP, 12.3mm	
9	1	6000478							HOSE SHEATH, 10X353 mm	TO TANK
8	1	6000480							HOSE, FUEL, 383mm	TO TANK
7	1	6000317							HOSE, FUEL, 350 mm	TO INJECTOR
6	2	5000350							FLANGE-HEAD BOLT, M6X30 - NYLOK	
5	2	5001578							GROMMET, FUEL REGULATOR	
4	2	5001579							TOP HAT WASHER, FUEL REGULATOR	
3	1	5000836							INTERNAL RETAINING RING, 36mm	
2	1	5000395							FUEL PRESSURE REGULATOR	
1	1	5001544							FUEL REGULATOR HOUSING - PLASTIC	
ITEM NO	QTY REQD	DEALER PART NUMBER	MO	SP	GL	BZ	CN	DESCRIPTION		NOTES
FUEL TANK & REGULATOR										

Fuel Pump

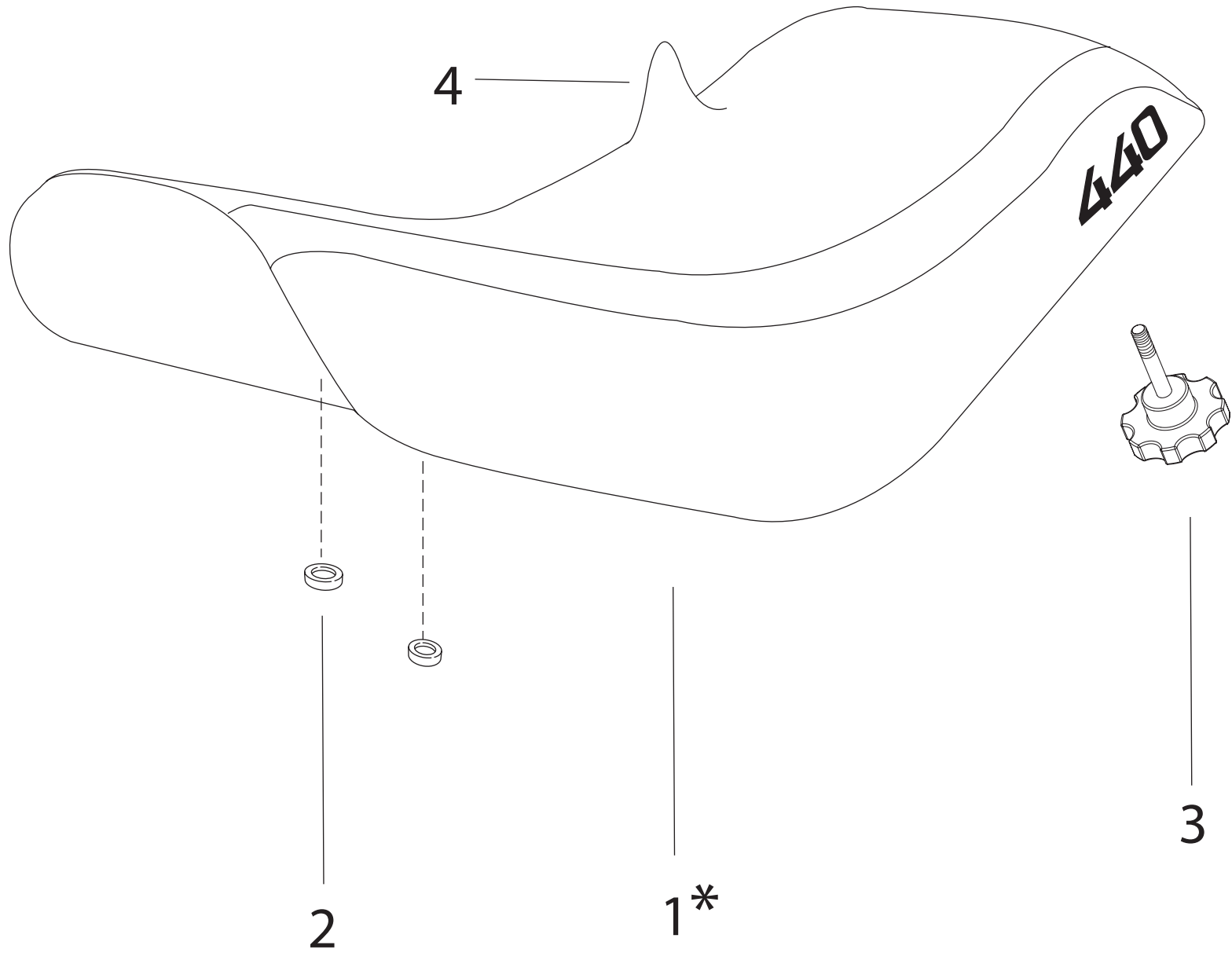
Fuel Pump



13	1	5002410							INSULATING BOOT	
12	2	5001789							HOSE CLAMP, 37-51 mm	
11	2	5001642							WASHER, SERRATED, SIZE 6	
10	4	5001549							WASHER, CRUSH,ALUMINUM	
9	2	5001543							WASHER, NYLON	
8	2	5001641							NUT, HEX, 6	
7	2	5000095							FLNG HD BLT, M6X20,NYLK	
6	2	5001541							ISOLATION STRIP, FUEL PUMP	
5	2	5001502							BANJO BOLT	
4	2	5001501							BANJO FITTING	
3	1	5002290							FUEL PUMP PIGTAIL	
2	1	5000449							FUEL PUMP BRACKET	
1	1	5000168							FUEL PUMP	
ITEM NO	QTY REQD	DEALER PART NUMBER	MO	SP	GL	BZ	CN	DESCRIPTION		NOTES
			MODEL							
FUEL PUMP PARTS LIST										

Seat

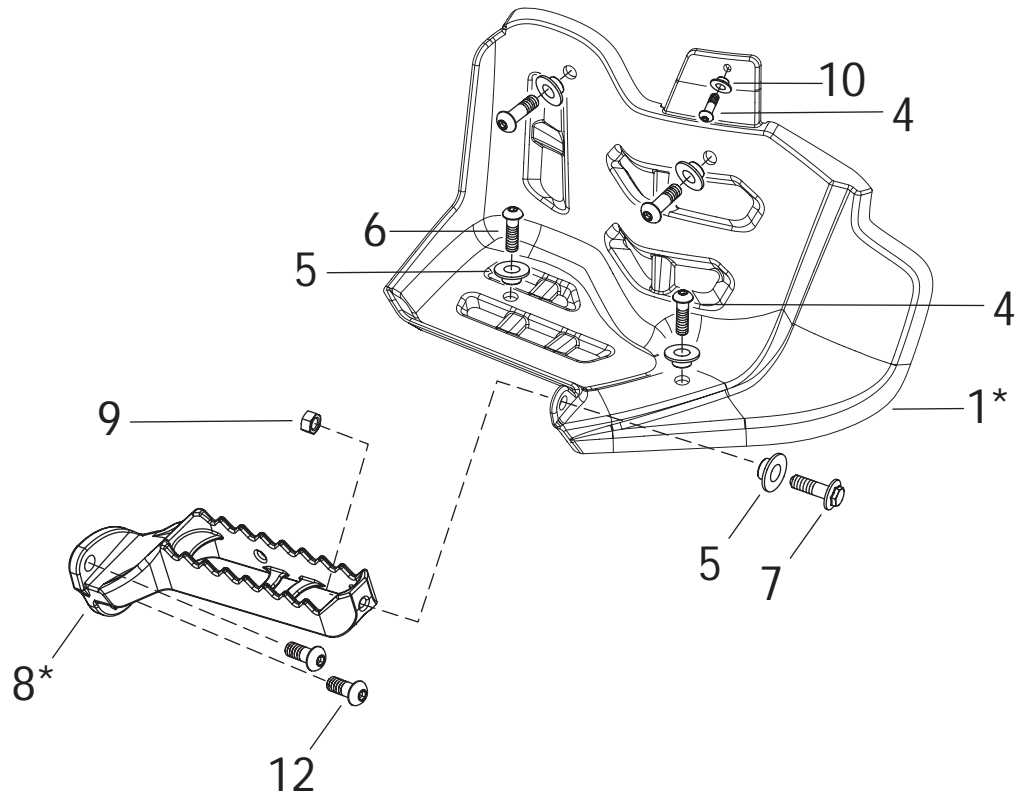
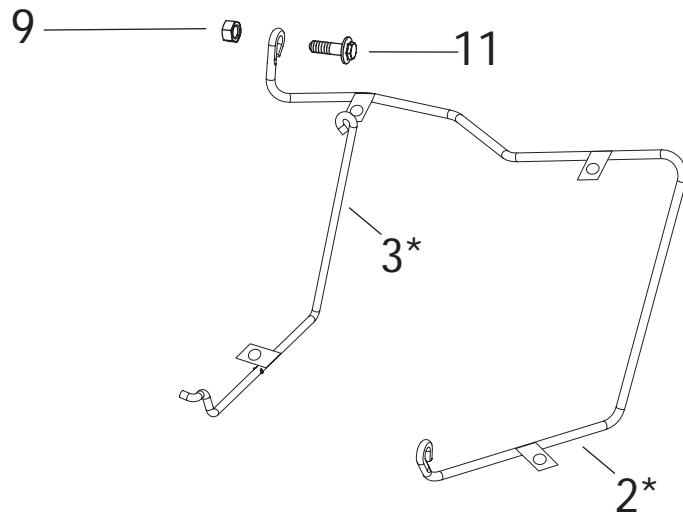
Seat



*	1	6001185C							SEAT COVER, ORG/BLK	
*	1	6001049C							SEAT COVER, RED/BLK	
*	1	6001024C							SEAT COVER, YEL/BLK	
4	1	6000642C							SEAT COVER, BLK	
3	1	6000439							KNOB, M8X40 mm	
2	2	6000246							GROMMET, SEAT PAN	
*	1	6001185			X				SEAT, BLK/ORG, GLAMIS	
*	1	6001049	X				X		SEAT, MOTO / BLAZE	
*	1	6001024		X					SEAT, SPEED, YEL/BLK, GRIPPER	
1	1	6000642-01						X	SEAT, BLACK	
ITEM NO	QTY REQD	DEALER PART NUMBER	MO	SP	GL	BZ	CN	DESCRIPTION		NOTES
							SEAT PARTS LIST			

Footpegs and Baskets

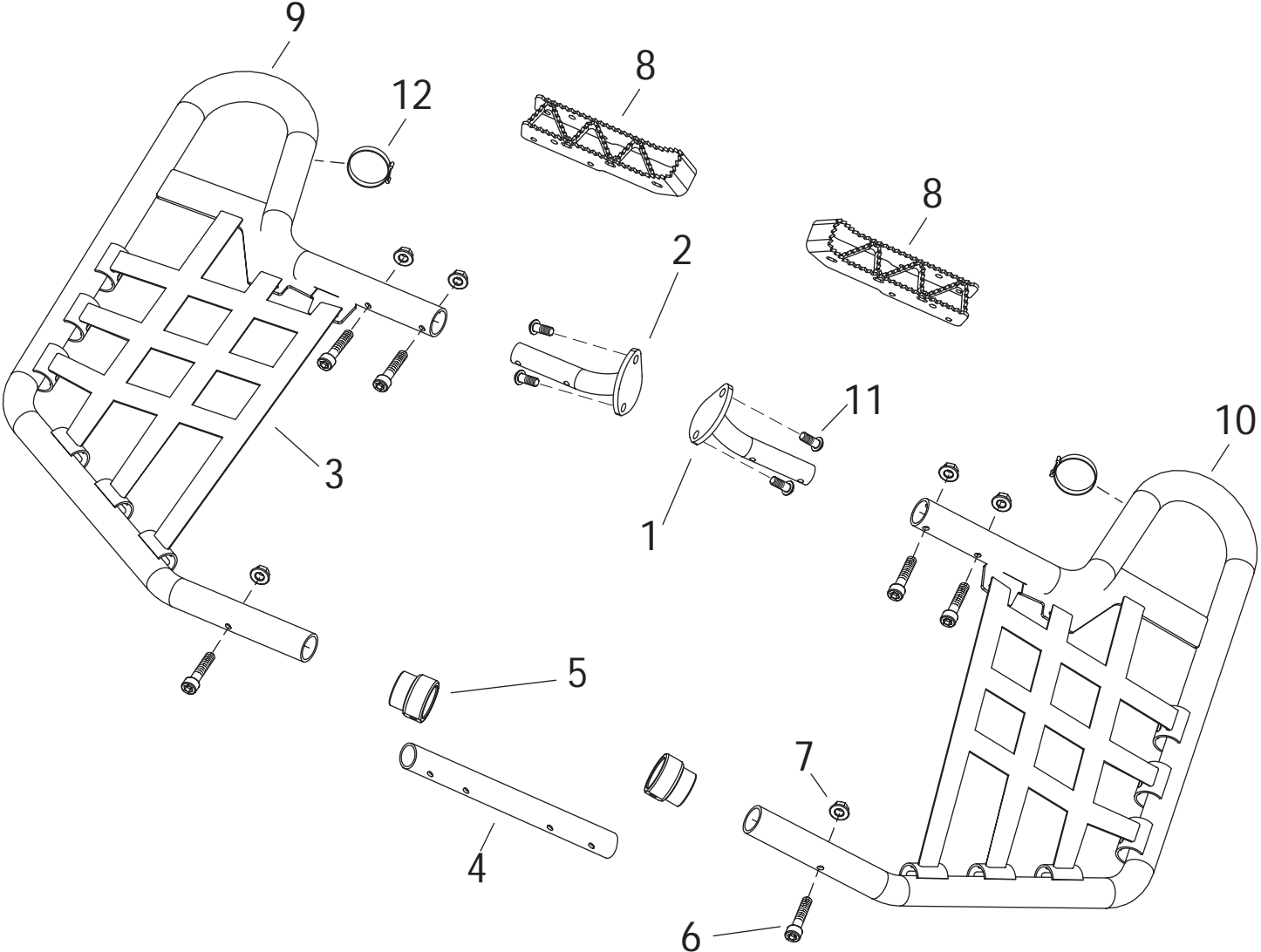
Footpegs and Baskets



12	2	5001264							BHCS,M10X25,NYLOK, ZINC	
11	1	5000095							FHB, M6x20 mm, NYLOK	
10	1	50001531							TOP HAT WASHER	
9	2	6000314							NUT, LOCK, M6, ZINC	
*	1	6000143-04							FOOT PET, RIGHT	
8	1	6000142-04							FOOT PEG, LEFT	
7	1	5000350							FHB, M6X30 - NYLOK	
6	3	6000462							BHCS, M6X16 mm, ZINC, NYLOK	
5	4	5001514							TOP HAT WASHER	
4	2	6000504							BHCS, M6X20 mm, ZINC, NYLOK	
*	1	6000379-03							FOOT BSKT WIRE ASSY, INR, R	
3	1	6000380-03							FOOT BSKT WIRE ASSY, INR, L	
*	1	6001103	X					X	REAR FENDER SUPPORT, R	
*	1	6001102	X					X	REAR FENDER SUPPORT, L	
*	1	303-6000763		X	X			X	FOOT BSKT WIRE ASSY, OUT, R	
2	1	303-6000762		X	X			X	FOOT BSKT WIRE ASSY, OUT, L	
*	1	6001101	X					X	RIGHT FOOT BASKET	
*	1	6000588		X	X			X	RIGHT FOOT BASKET	
*	1	6001100	X					X	LEFT FOOT BASKET	
1	1	6000587		X	X			X	LEFT FOOT BASKET	
ITEM NO	QTY REQD	DEALER PART NUMBER	MO	SP	GL	BZ	CN	DESCRIPTION		NOTES
FOOTPEG/BASKET PARTS LIST										

Nerf Bars

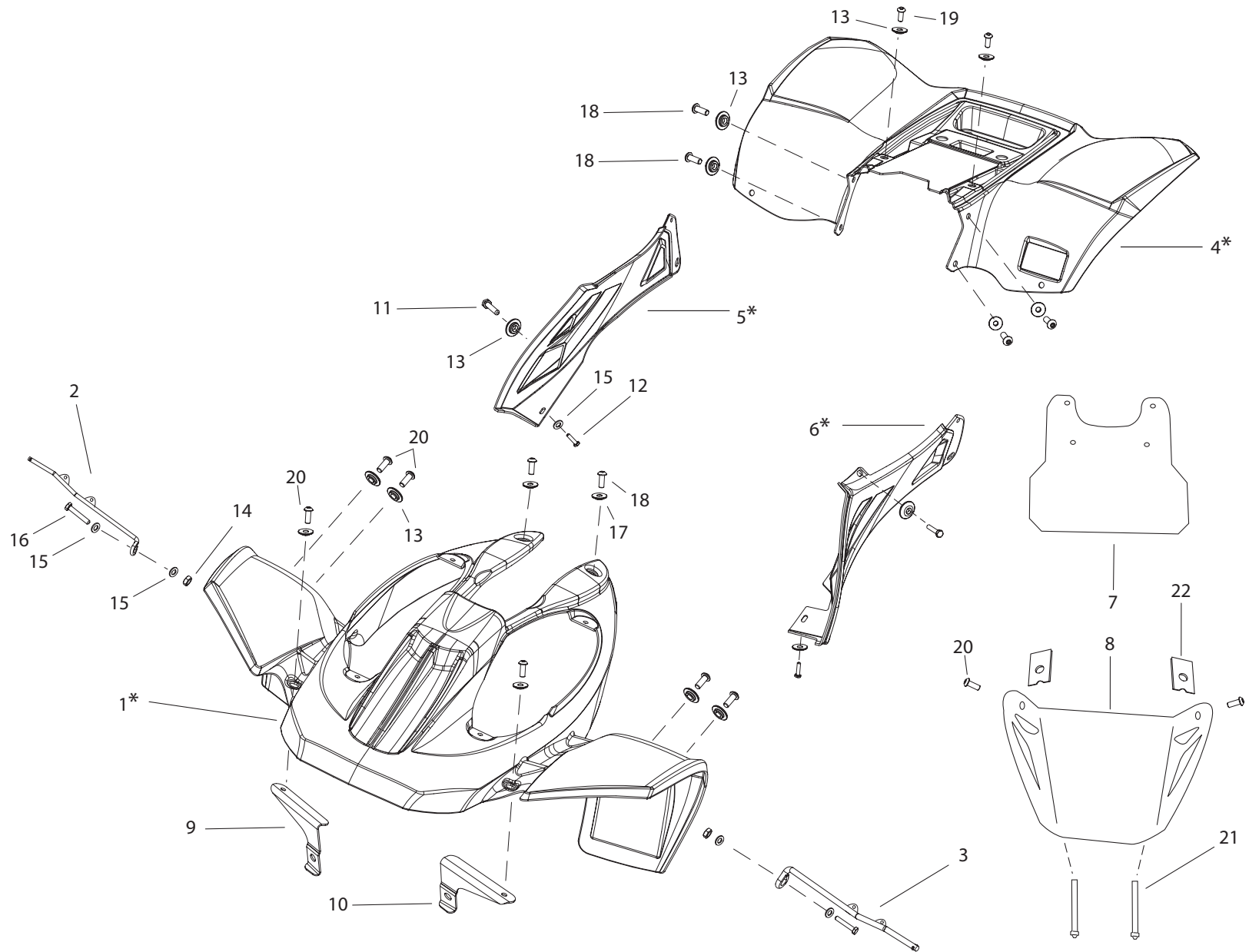
Nerf Bars



		204-6001122							NERF BAR KIT	
ADDITIONAL PARTS										
12	2	6001107							BANDCLAMP, 31.75 mm	
11	4	5001264							BHCS,M10X25,NYLKZNC	
10	1	6001062-02							NERF BAR WELDMENT, L	
9	1	6001065-02							NERF BAR WELDMENT, R	
8	2	6001145							INTEGRATED FOOTPEG	
7	6	5000434							NUT, FLANGE,M6	
6	6	6001108							FSHCS, M6X50 mm	
5	2	6001070-02							BUSHING,NERF BAR	
4	1	6001069							NERF BAR CENTER TUBE	
3	2	6001142							NERF BAR NETTING	
2	1	6001058							FOOTPEG SUPPORT, RIGHT	
1	1	6001056							FOOTPEG SUPPORT, LEFT	
ITEM NO	QTY REQD	DEALER PART NUMBER	MO	SP	GL	BZ	CN	DESCRIPTION		NOTES
			MODEL							
NERF BAR PARTS LIST										

Plastic

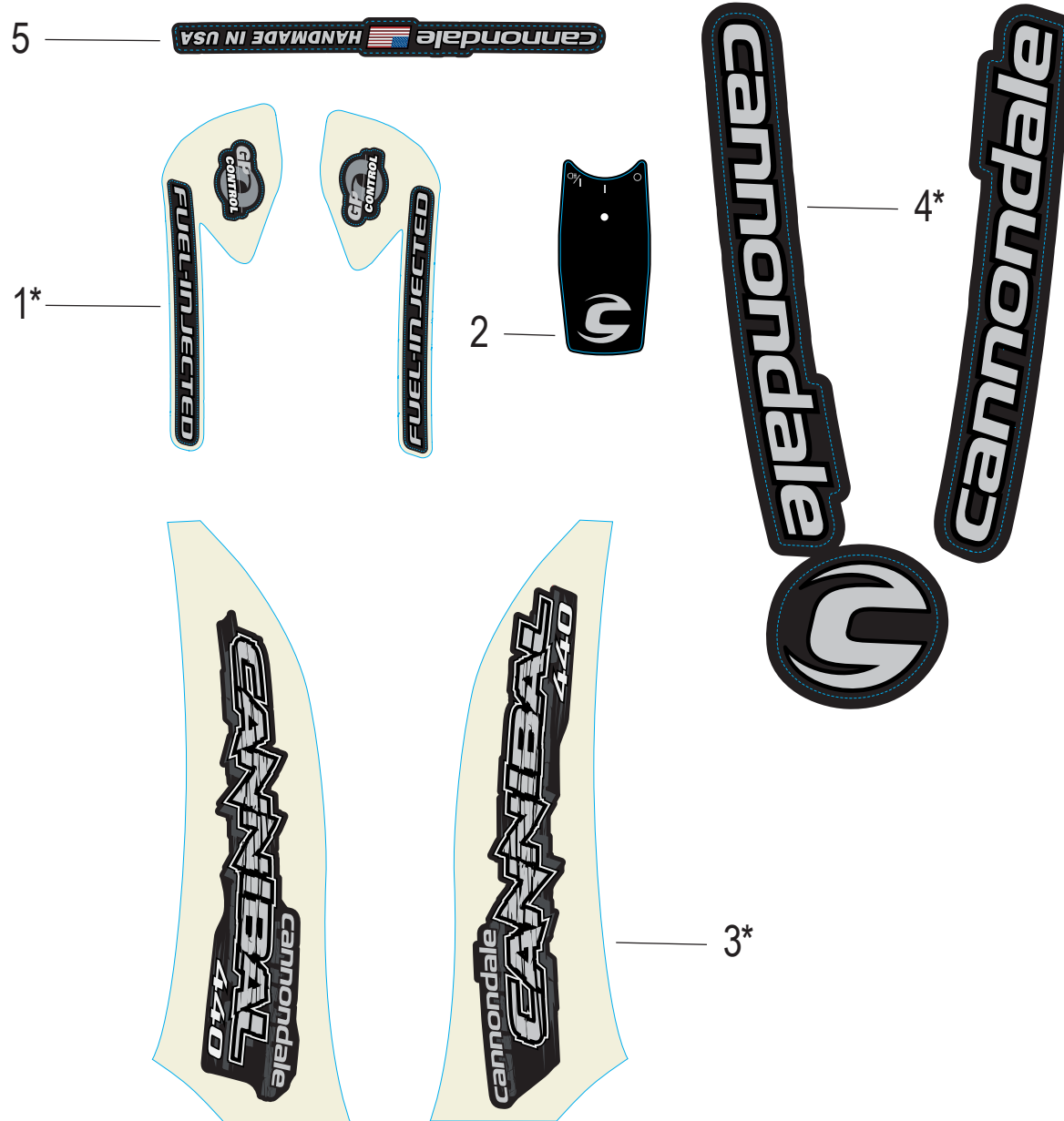
Plastic



22	2	6001133							TINNERMAN CLIP	
21	2	5001237							ZIP TIE - ISOLATION BLOCK	
20	8	6000462							BHCS, M6X16 mm, ZINC, NYLOCK	
19	2	5000095							FHB, M6X20 mm	
18	6	6000504							BHCS, M6X20 mm, ZINC, NYLOCK	
17	2	5001514							TOP-HAT WASHER	
16	2	6000257							HHCS, M6X35 mm	
15	6	5000192							FLAT WASHER, M6	
14	2	6000314							NUT, LOCK, M6, ZINC	
13	14	5001531							TOP-HAT WASHER	
12	2	5001013							FHB, M6X16 mm, NYLOK	
11	2	5001184							FHB, M6X12 mm, NYLOK	
10	1	6000052							FRONT NOSE MOUNTING TAB, L	
9	1	6000055							FRONT NOSE MOUNTING TAB, R	
8	1	6001045	X				X		NUMBER PLATE, FRONT	
7	1	6001044	X				X		NUMBER PLATE, REAR	
*	1	6000585						X	SPAR COVER, BLK, L	
6	1	6001020	X	X	X	X			SPAR COVER, SLV, L	
*	1	6000586						X	SPAR COVER, BLK, R	
5	1	6001021	X	X	X	X			SPAR COVER, SLV, R	
*	1	6001019	X	X	X	X			REAR FENDER, SLV,	
4	1	6000594						X	REAR FENDER, RED	
3	1	6000293							FENDER BRACE ASSY, FR, L	
2	1	6000292							FENDER BRACE ASSY, FR, R	
*	1	6001018	X	X	X	X			FRONT HOOD, SLV	
1	1	6000584						X	FRONT HOOD, RED	
ITEM NO	QTY REQD	DEALER PART NUMBER	MO	SP	GL	BZ	CN	DESCRIPTION		NOTES
PLASTIC PARTS LIST										

2003 Cannibal Graphics (Black Plastic)

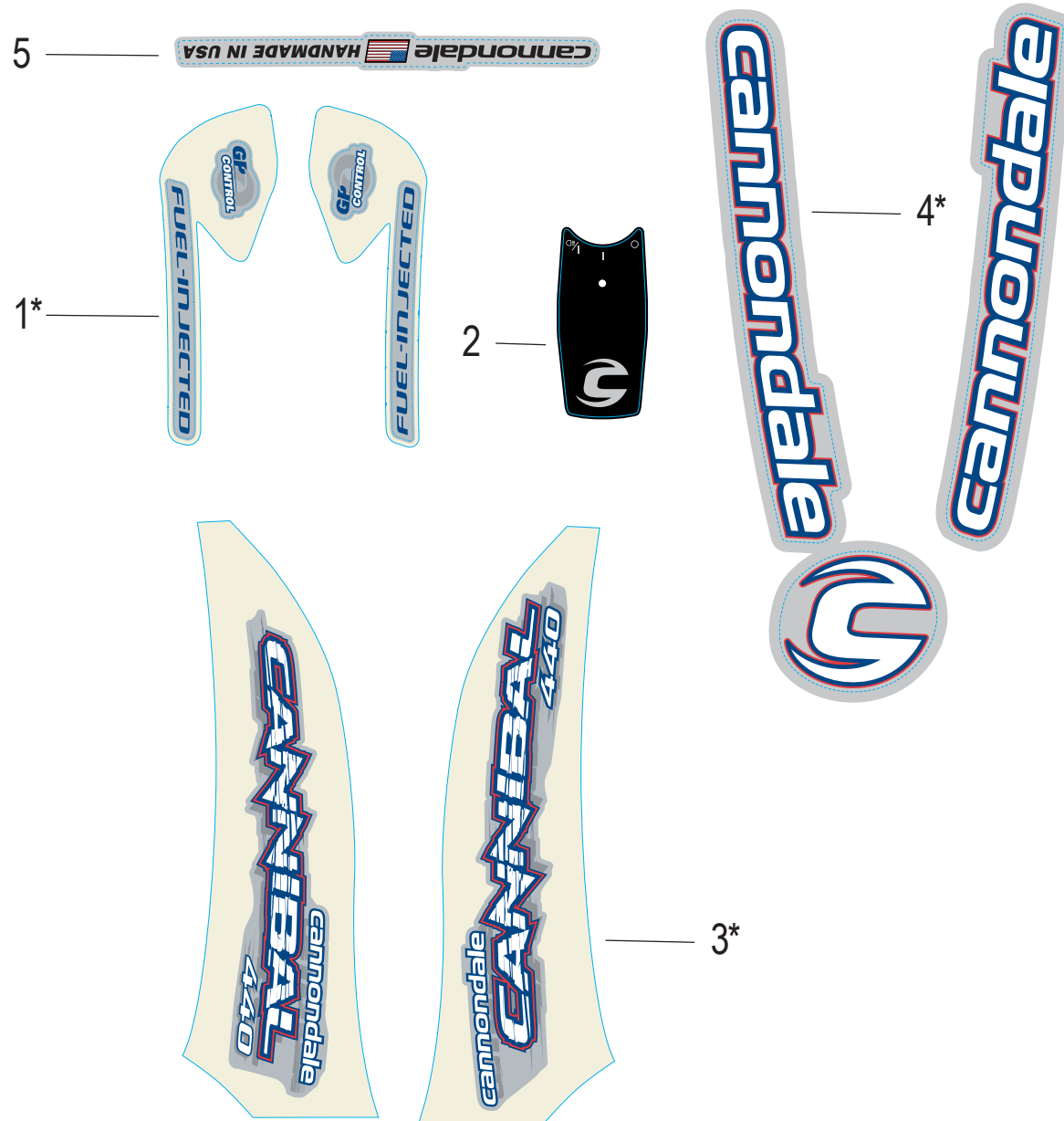
2003 Cannibal Graphics (Black Plastic)



5		6001177						X	DCL, USA, BLK, SLV	
*		6001176						X	DCL, CDALE, Rr FNDR, SLV, L	
4		6001175						X	DCL, CDALE, Rr FNDR, SLV, R	
*		6001172						X	DCL, CANNIBAL, SLV, L	
3		6001171						X	DCL, CANNIBAL, SLV, R	
2		6000714						X	DCL, ON/OFF, SLV	
*		6001174						X	DCL, GP/FUEL INJ, SLV, L	
1		6001173						X	DCL, GP/FUEL INJ, SLV, R	
ITEM NO	QTY REQD	DEALER PART NUMBER	MO	SP	GL	BZ	CN		DESCRIPTION	NOTES
2003 CANNIBAL GRAPHICS (BLACK PLASTIC)										

2003 Cannibal Graphics (Silver Plastic)

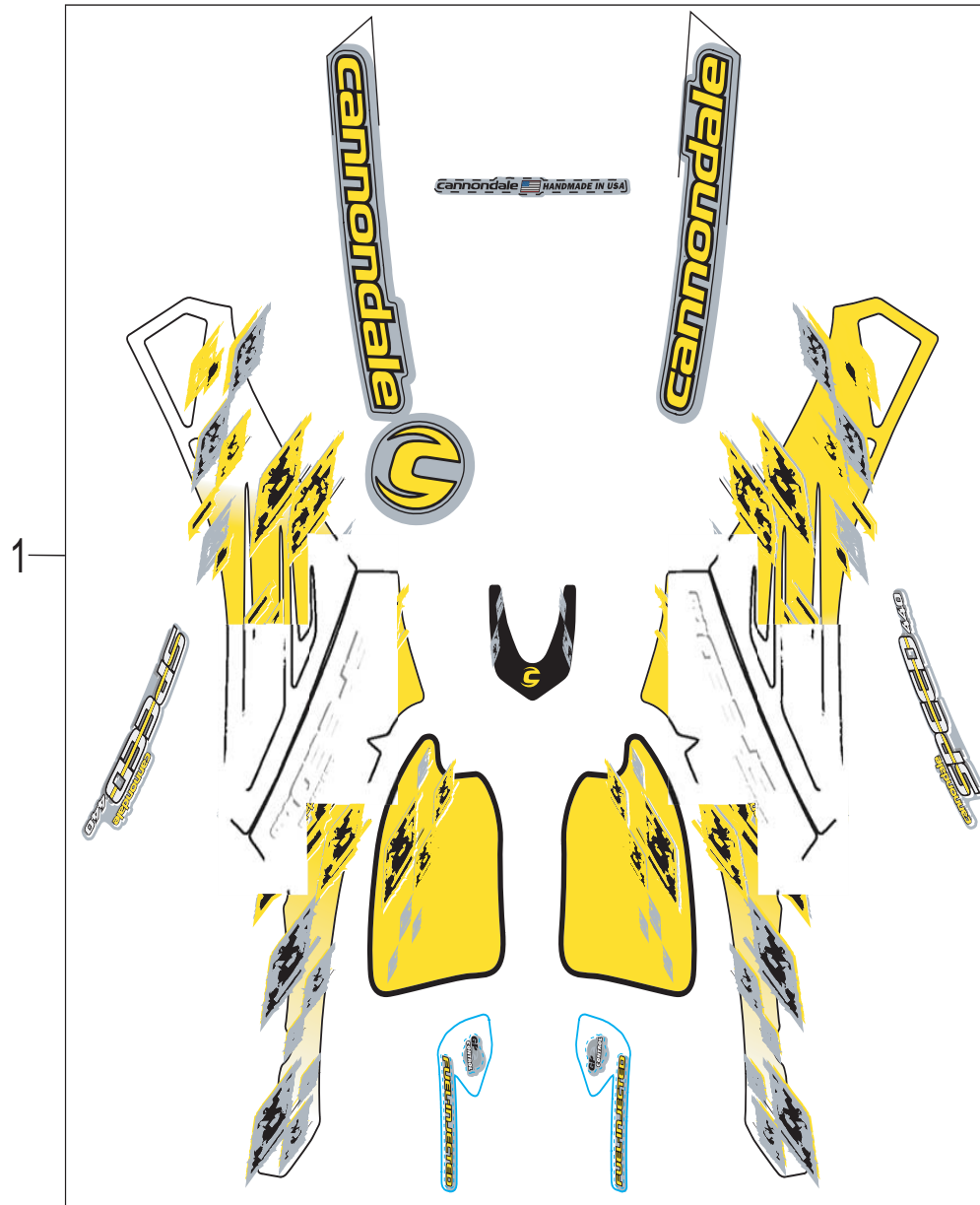
2003 Cannibal Graphics (Silver Plastic)



5		6001001						X	DCL, USA, SLV/BLK	
*		6001168						X	DCL, CDALE, Rr FNDR, SLV, L	
4		6001167						X	DCL, CDALE, Rr FNDR, SLV, R	
*		6001164						X	DCL, CANNIBAL, SLV, L	
3		6001163						X	DCL, CANNIBAL, SLV, R	
2		6000714						X	DCL, ON/OFF, SLV	
*		6001166						X	DCL, GP/FUEL INJ, SLV, L	
1		6001165						X	DCL, GP/FUEL INJ, SLV, R	
ITEM NO	QTY REQD	DEALER PART NUMBER	MO	SP	GL	BZ	CN		DESCRIPTION	NOTES
2003 CANNIBAL GRAPHICS (SILVER PLASTIC)										

2003 Speed Graphics (Silver Plastic)

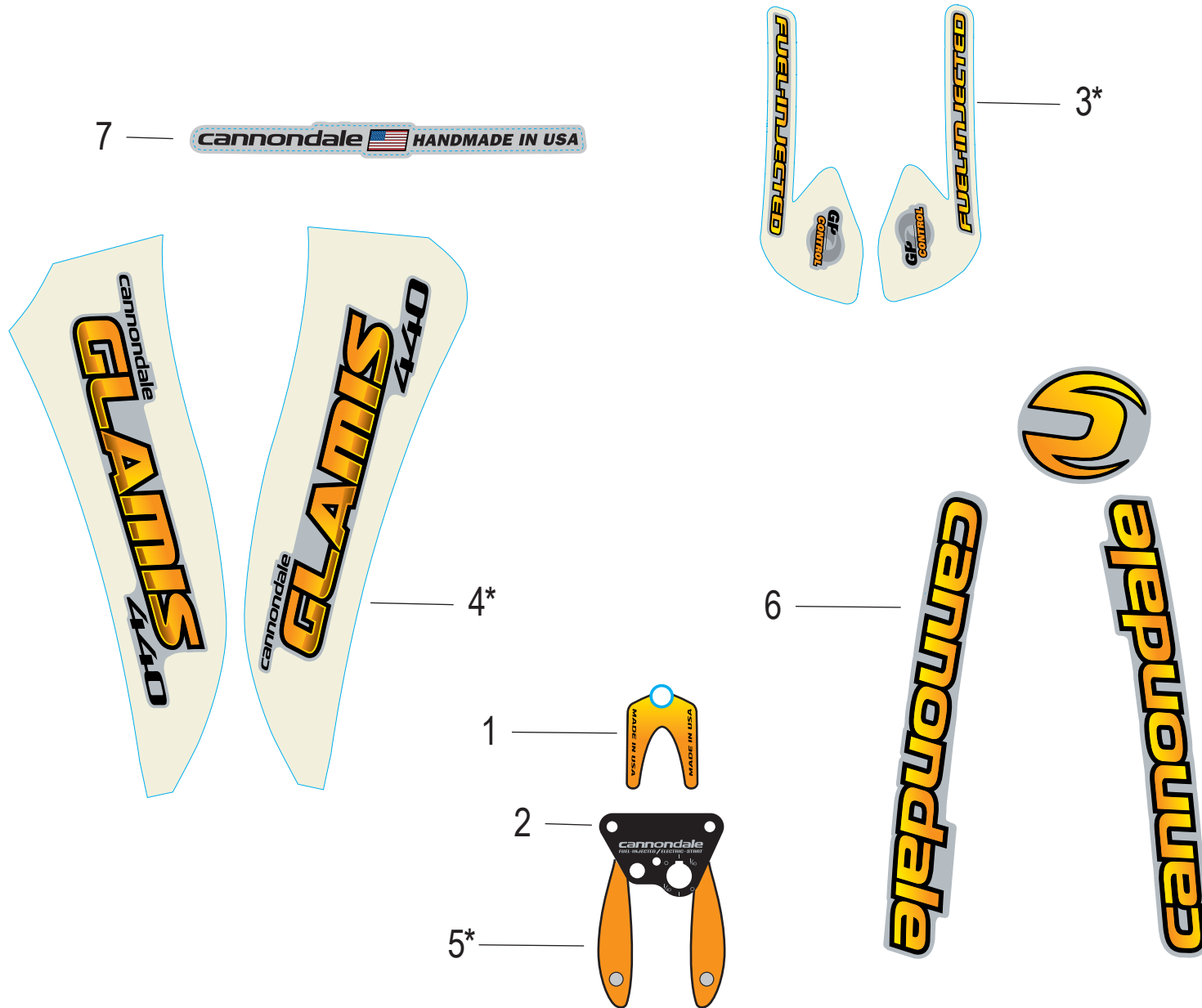
2003 Speed Graphics (Silver Plastic)



1		6000842		X					SPEED GRAPHICS KIT	
ITEM NO	QTY REQD	DEALER PART NUMBER	MO	SP	GL	BZ	CN	DESCRIPTION		NOTES
			MODEL							
2003 SPEED GRAPHICS										

2003 Glamis Graphics (Silver Plastic)

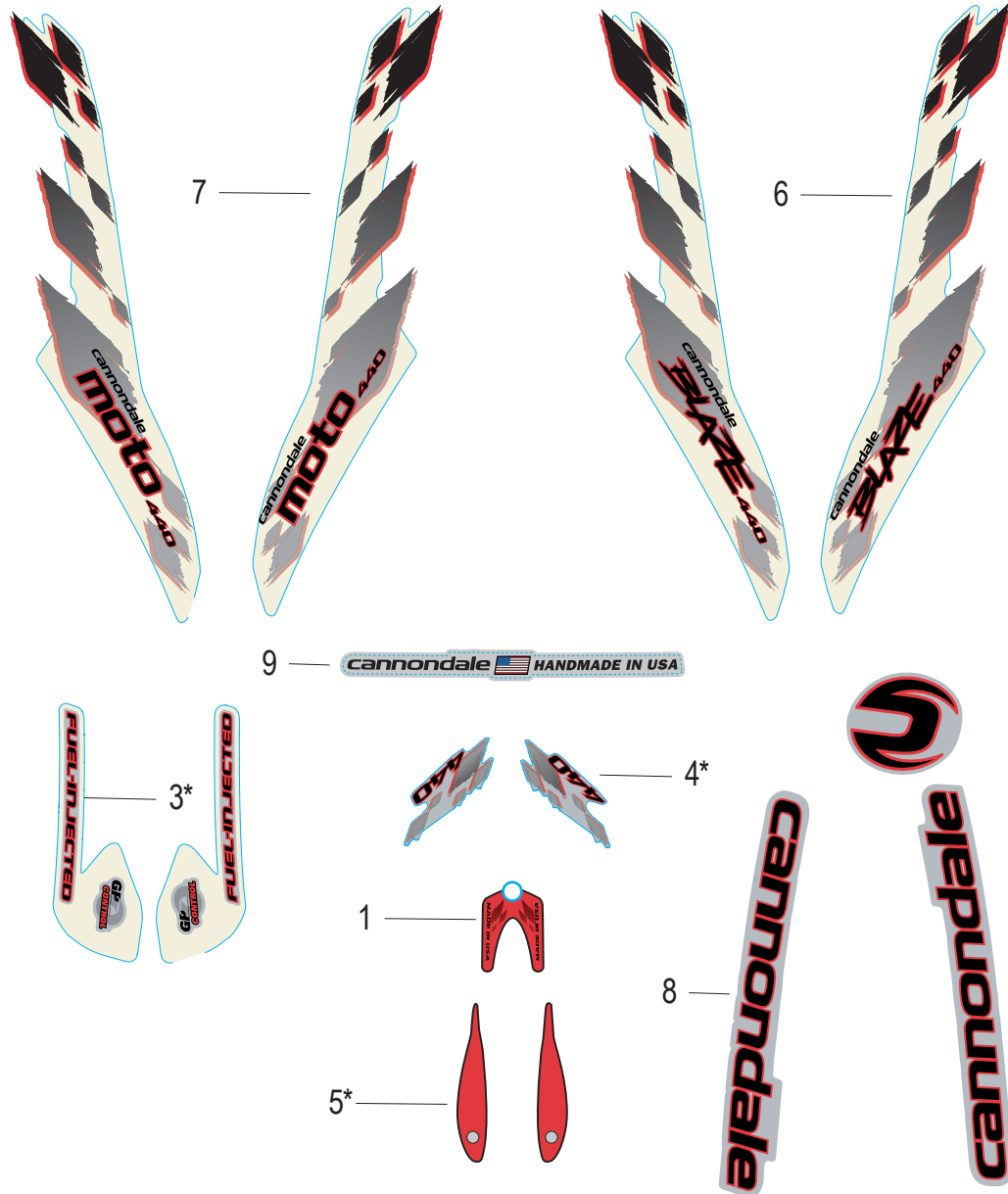
2003 Glamis Graphics (Silver Plastic)



7		6001001			X			DCL, USA, SLV/BLK	
*		6001195			X			DCL, CDALE, Rr FNDR, ORG, R	
6		6001194			X			DCL, CDALE, Rr FNDR, ORG, L	
*		6001207			X			DCL, TANK TOP, ORG, R	
5		6001206			X			DCL, TANK TOP, ORG, L	
*		6001193			X			DCL, GLAMIS, ORG, R	
4		6001192			X			DCL, GLAMIS, ORG, L	
*		6001197			X			DCL, GP/FUEL INJ, ORG, R	
3		6001196			X			DCL, GP/FUEL INJ, ORG, L	
2		6001208			X			KEY SWITCH PLATE	
1		6001205			X			HOOD TOPPER, ORG	
ITEM NO	QTY REQD	DEALER PART NUMBER	MO	SP	GL	BZ	CN	DESCRIPTION	NOTES
2003 GLAMIS GRAPHICS									

2003 Moto 440 and Blaze Graphics (Silver Plastic)

2003 Moto 440 and Blaze Graphics (Silver Plastic)



8		6001001	X			X		DCL, USA, SLV/BLK	
*		6001219	X			X		DCL, CDALE, Rr FNRD, RED, R	
7		6001218	X			X		DCL, CDALE, Rr FNRD, RED, L	
*		6001221	X					DCL, MOTO 440, RED, R	
6		6001220	X					DCL, MOTO 440, RED, L	
*		6001223				X		DCL, BLAZE, RED, R	
5		6001222				X		DCL, BLAZE, RED, L	
*		6001216	X			X		DCL, TANK TOP, RED, R	
4		6001215	X			X		DCL, TANK TOP, RED, L	
*		6001214	X			X		DCL, FRT FNRD, RED, R	
3		6001213	X			X		DCL, FRT FNRD, RED, L	
*		6001212	X			X		DCL, GP/FUEL INJ, RED, R	
2		6001211	X			X		DCL, GP/FUEL INJ, RED, L	
1		6001217	X			X		HOOD TOPPER, RED	
ITEM NO	QTY REQD	DEALER PART NUMBER	MO	SP	GL	BZ	CN	DESCRIPTION	NOTES
								2003 BLAZE & MOTO 440 GRAPHICS	

2003 Warning Decals

2003 Warning Decals

1

WARNING

Improper use of ATVs can result in SEVERE INJURY or DEATH

ALWAYS USE AN APPROVED HELMET AND PROTECTIVE GEAR. NEVER USE ON PUBLIC ROADS. NEVER CARRY PASSENGERS. NEVER USE UNDER THE INFLUENCE OF DRUGS OR ALCOHOL.

NEVER operate:

- without proper training or instruction.
- at speeds too fast for your skills or the conditions.
- on public roads – a collision can occur with another vehicle.
- with a passenger – passengers affect balance and steering and increase risk of losing control.

ALWAYS:

- use proper riding techniques to avoid vehicle overturns on hills, rough terrain, or in turns.
- avoid paved surfaces – pavement may seriously affect handling and control.

LOCATE AND READ THE OWNER'S MANUAL FOLLOW ALL INSTRUCTIONS AND WARNINGS

315-600236-01

4

WARNING

POTENTIAL HAZARD
Crashing, flipping, or losing control of ATV.

WHAT CAN HAPPEN
This ATV may exceed the performance of ATVs you have ridden previously. It accelerates extremely fast and reaches high speeds. Inexperience with a high performance category "S" (Sport) ATV or riding beyond your skill level could lead to loss of control extremely quickly. YOU COULD BE INJURED OR KILLED.

HOW TO AVOID THE HAZARD
The hazards of ATV riding cannot be completely avoided. If you are under 16 do not ride this ATV. If you do not have advanced skills and substantial ATV operating experience do not ride this ATV. If you have not taken an ATV training course, take one before riding this ATV. Locate and read the Owner's Manual before riding this ATV. Follow all instructions in the Owner's Manual when riding this ATV. Ride this ATV at small throttle openings and low speeds until you learn it's performance and handling characteristics and develop respect and experience.

315-600560-01

2

WARNING

Improper tire pressure or overloading can cause loss of control. Loss of control can result in severe injury or death.

- Recommended cold tire pressure: Please refer to owner's manual for appropriate tire pressure settings.
- Maximum weight capacity: 245 lbs. (111kg)

315-600238-01

5

WARNING

UNDER 16

Operating this ATV if you are under the age of 16 increases your chance of severe injury or death.

NEVER operate this ATV if you are under age 16.

315-600237-01

3

WARNING

HEAT-TREATED ALUMINUM FRAME
Welding, drilling, or modifying in any way may cause failure that could result in loss of control and cause severe injury or death. Inspect frame periodically for cracks.

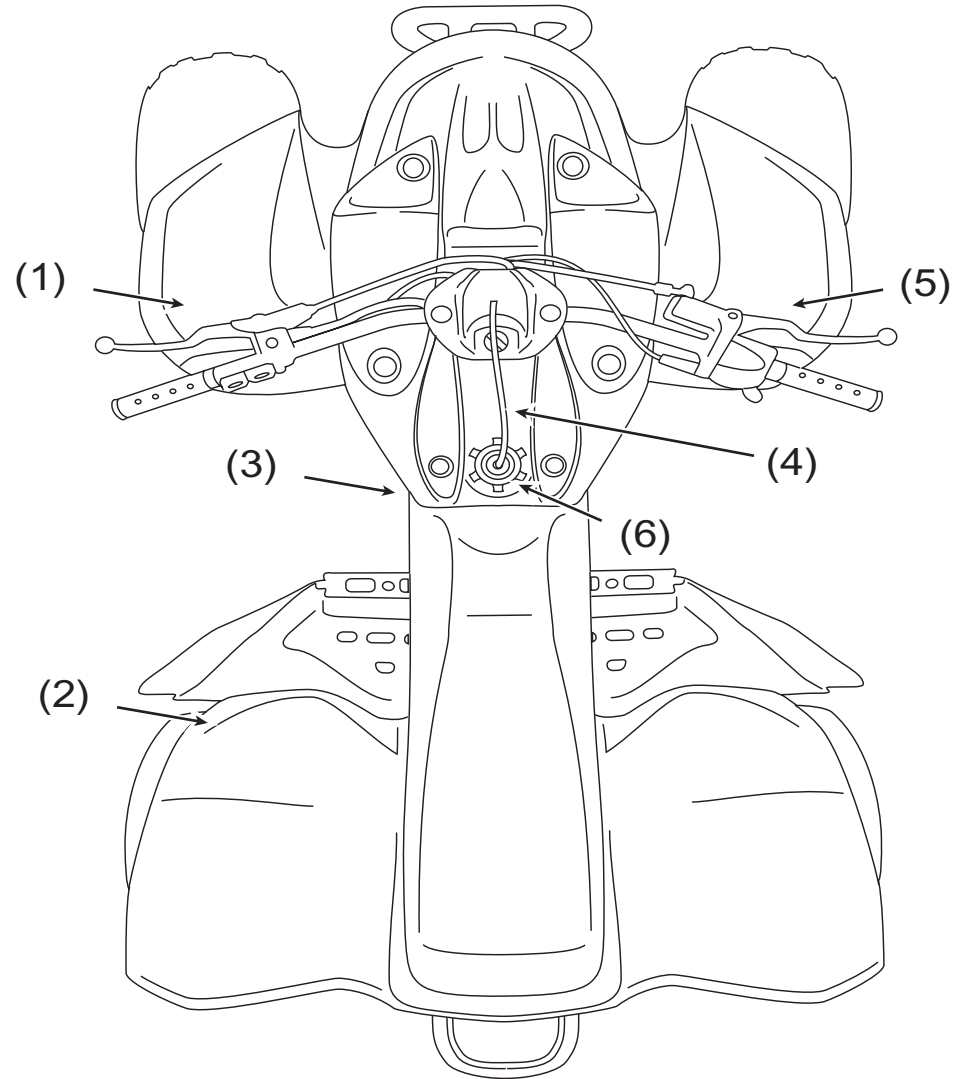
DO NOT RIDE OR REPAIR A CRACKED FRAME.

315-6005477-01

6

CAUTION
PREMIUM UNLEADED FUEL ONLY

7*



*		5002665IT								LABEL KIT, WARNINGS, IT		
*		5002665FR								LABEL KIT, WARNINGS, FR		
*		5002665DE								LABEL KIT, WARNINGS, DE		
7		5002665ES								LABEL KIT, WARNINGS, ES		
ADDITIONAL PARTS												
6	1	5002238								LABEL, PREMIUM FUEL		
5	1	6000237-01								LABEL, WARNING, AGE		
4	1	6000580-01								LABEL, WARNING, HIGH PERFORMANCE		
3	1	6000477-01								LABEL, WARNING, FRAME		
2	1	6000238-01								LABEL, WARNING, TIRE/WEIGHT		
1	1	6000236-01								LABEL, WARNING, GENERAL		
ITEM NO	QTY REQD	DEALER PART NUMBER	MO	SP	GL	BZ	CN	MODEL			DESCRIPTION	NOTES
2003 WARNING LABELS												