



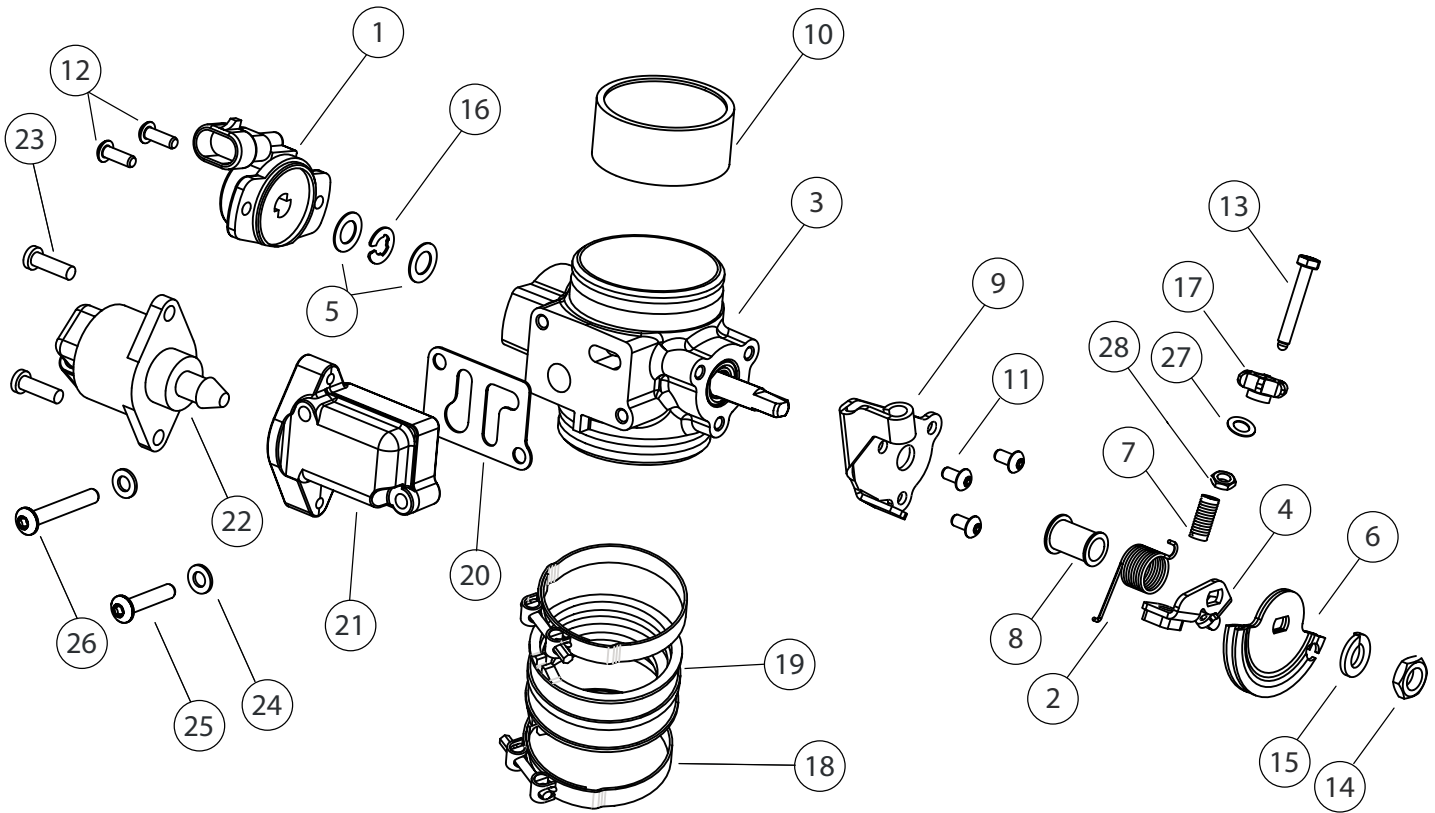
# 2002 Engine Parts Catalog (ATV & Motorcycle)



## CONTENTS

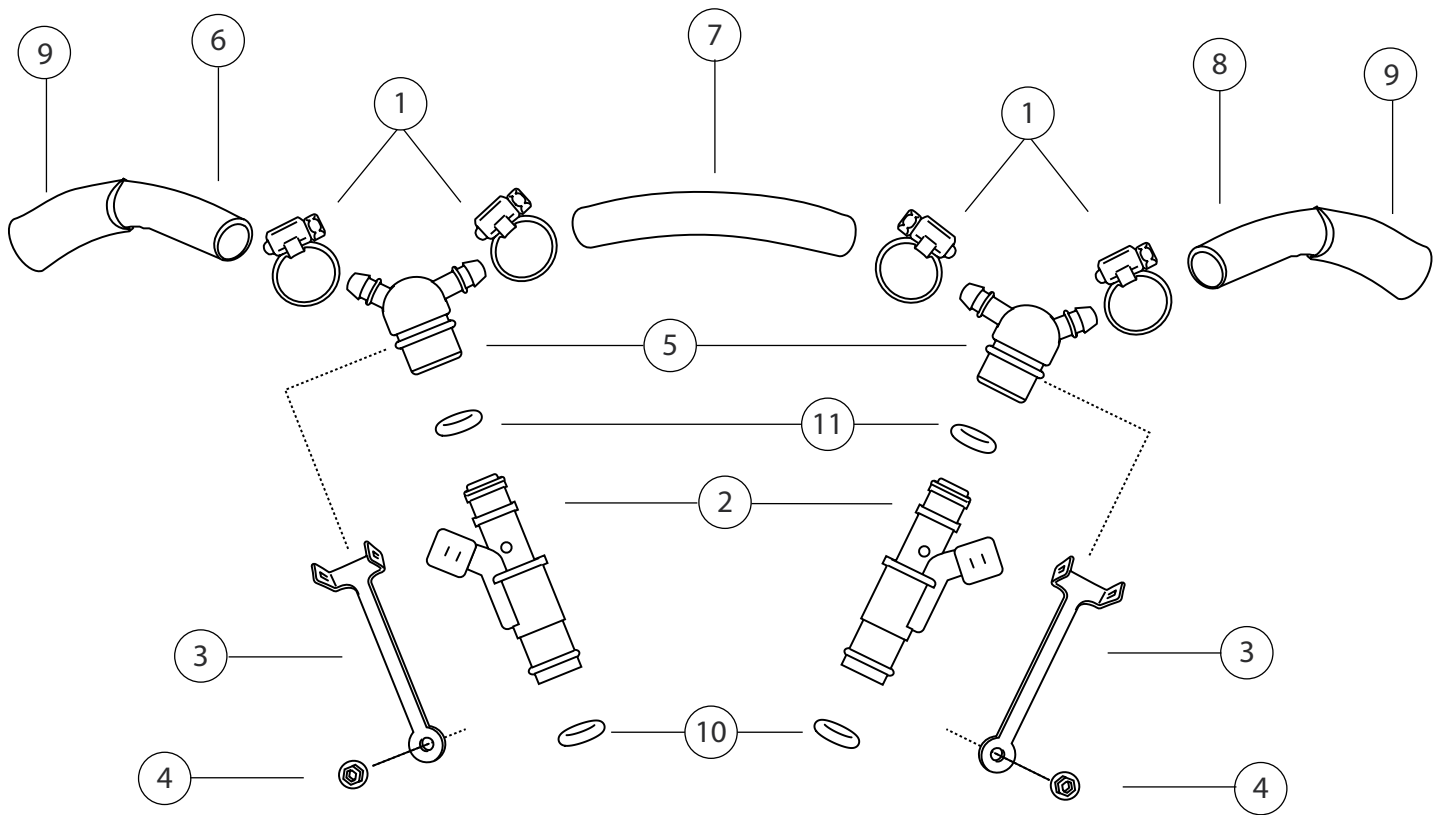
---

Throttle Body . . . . .	2	Crankshaft . . . . .	11	Trans Cart Plate, Front . . . . .	20
Fuel Injectors . . . . .	3	Piston . . . . .	12	Countershaft Sprocket . . . . .	21
Cam Cover & Spark Plug . . . . .	4	Crankshaft Cartridge Plate . . . . .	13	Generator Stator . . . . .	22
Cylinder Head . . . . .	5	Crankcase Cover . . . . .	14	Water Covers . . . . .	23
Valve Train . . . . .	6	Starter Clutch . . . . .	15	Engine Oil Pickup Assembly . . . . .	24
Valve Train Parts List . . . . .	7	Clutch . . . . .	16	Scavenge Pump . . . . .	25
Cam Drive . . . . .	8	Trans Cart Plate, Rear . . . . .	17	Engine Oil Pump . . . . .	26
Crankcase . . . . .	9	Mainshaft . . . . .	18	Oil Supply Tubes . . . . .	27
Crankcase Parts List . . . . .	10	Countershaft . . . . .	19	Transmission Oil Pump . . . . .	28



28	1	834-5002039		NUT, M4	
27	1	841-6000578		WASHER, M4, ZINC	
26	1	812-5000513		BTTNHD TORX SCREW, M5X35	
25	1	812-5000512		BTTNHD TORX SCREW, M5X25	
24	2	841-5001561		WASHER, M5	
23	2	824-5001974		SCREW, PHILLIPS, 10X5/8	
22	1	603-5001971		BYPASS ACTUATOR	
21	1	603-5001972		BYPASS HOUSING	
20	1	603-5001973		BYPASS GASKET	
19	1	603-5001148		COUPLING, THROTTLE BODY	
18	2	861-5001149		CLAMP, BAND	
17	1	603-5001346		IDLE ADJUSTMENT THUMBWHEEL	
16	1	853-5001564		CIRCLIP, 7mm(STAINLESS)	
15	1	842-5000959		LOCK WASHER, M8	
14	1	834-5001581		NUT, HEX M8 X 1.0	
13	1	829-5001743		IDLE ADJUSTMENT SCREW	
12	2	812-5001489		BHCS, M4 X 0.7 X 12	
11	3	812-5001473		BHCS, M4 X 0.7 X 8	
10	1	603-5001401		THROTTLE BODY SLEEVE	
9	1	603-6000352		THROTTLE CABLE STOP	
8	1	603-5001142		THROTTLE SPRING SLEEVE	
7	1	603-5000827		SPRING, IDLE ADJUST THUMBWHEEL	
6	1	603-5000825		THROTTLE CABLE PULLEY	
5	2	603-5000704		WASHER, THROTTLE ROD	
4	1	603-6000351		THROTTLE CABLE PULLEY STOP PLATE	
3	1	603-5001890		THROTTLE BODY	
2	1	603-5000688		THROTTLE SPRING	
1	1	473-5000409		THROTTLE POSITION SENSOR	
	1	601-6000683		THROTTLE BODY ASSEMBLY	DOES NOT INCLUDE #18 & #19
ITEM NO	QTY REQD	DEALER PART NUMBER	M/C /ATV MODEL	DESCRIPTION	NOTES

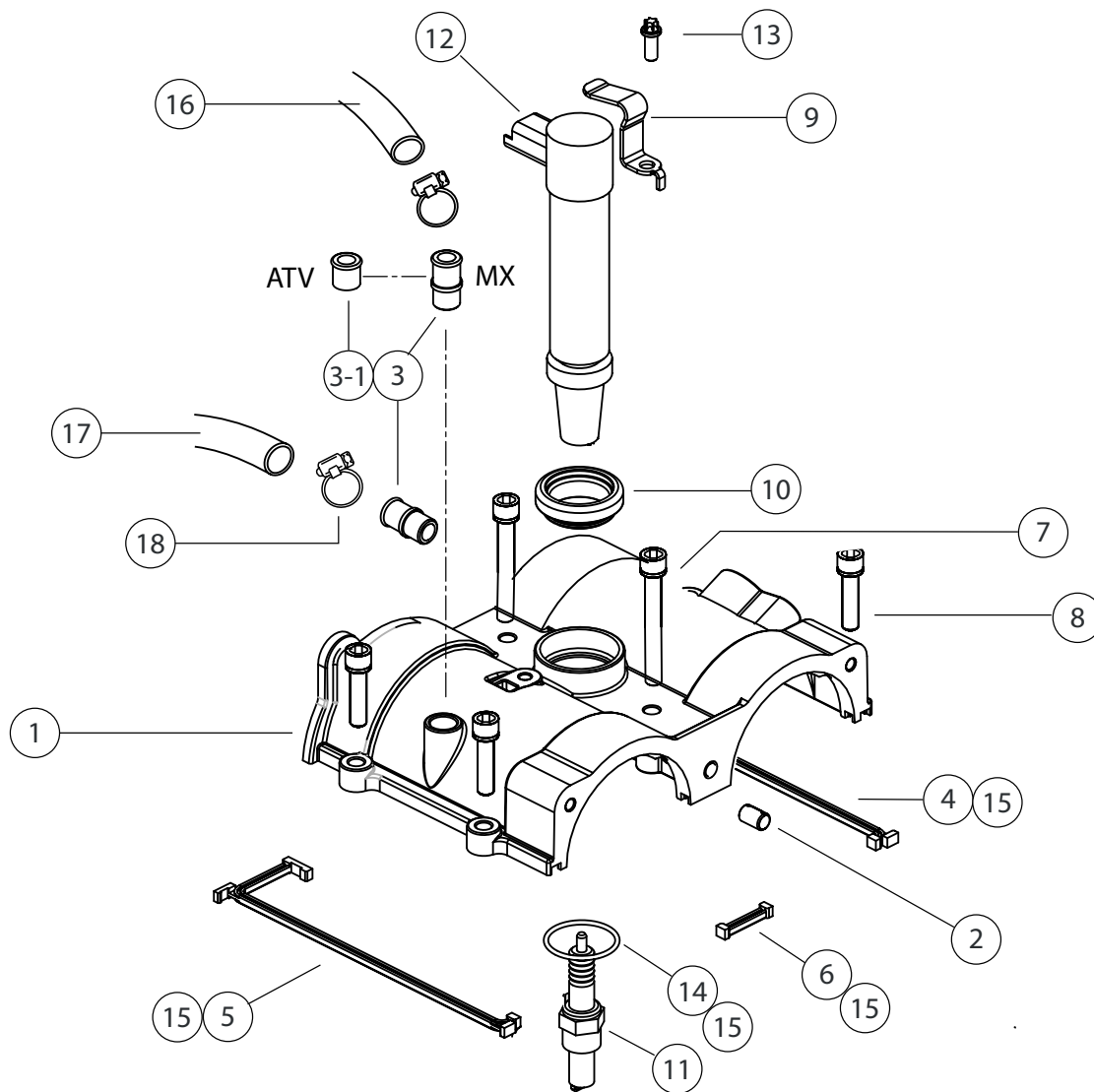
### THROTTLE BODY PARTS LIST



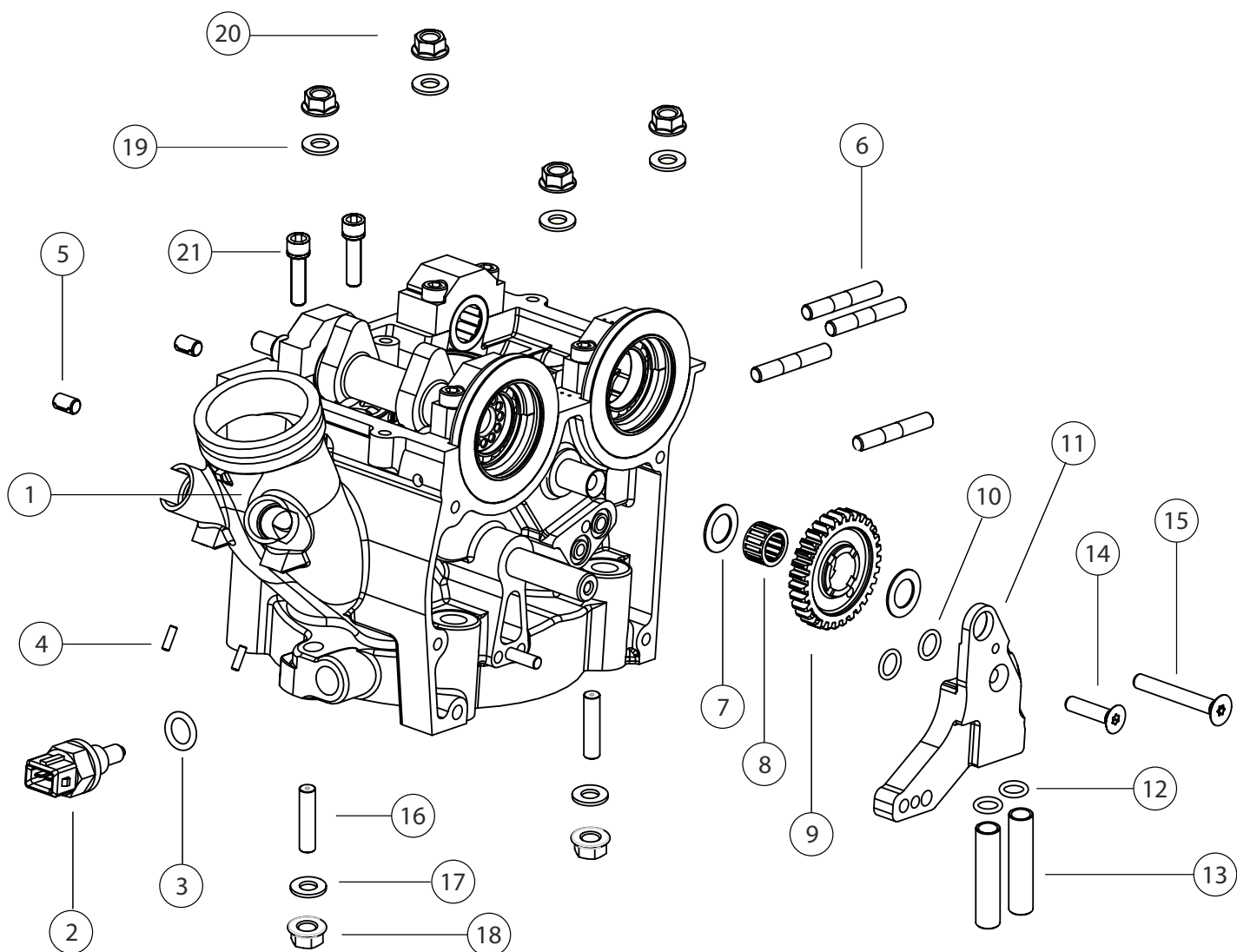
11	1	872-5001545			O-RING, FUEL INJECTOR, TOP	
10	1	872-5001546			O-RING, FUEL INJECTOR, BOTTOM	
9	1	893-5002321			HOSE SHEATH, BULK	CUT TO LENGTH
8-1	1	894-6000317		X	HOSE, FUEL, 350 mm	TO FUEL REGULATOR
8	1	894-5002204-03	X		HOSE, FUEL, REG TO INJECTOR	TO FUEL REGULATOR
7	1	891-5002324			FUEL HOSE, 6.4 mm ID, 60 mm	
6-1	1	894-6000318		X	HOSE, FUEL, 130 mm	TO FUEL PUMP
6	1	894-5002203-02	X		HOSE, FUEL, PUMP TO INJECTOR	TO FUEL PUMP
5	2	353-5000478-06			FUEL INJECTOR BASE	
4	2	836-5001458			NUT, HEX FLANGE, M3	
3	2	353-5000171			FUEL INJECTOR CLIP	
2	1	351-5000166			FUEL INJECTOR SET	INCLUDES FLOW RATE VALUE
1	4	864-5001607			OTKR HOSE CLAMP, 12.3mm	

ITEM NO	QTY REQD	DEALER PART NUMBER	M/C	ATV MODEL	DESCRIPTION	NOTES
---------	----------	--------------------	-----	-----------	-------------	-------

### FUEL INJECTORS PARTS LIST

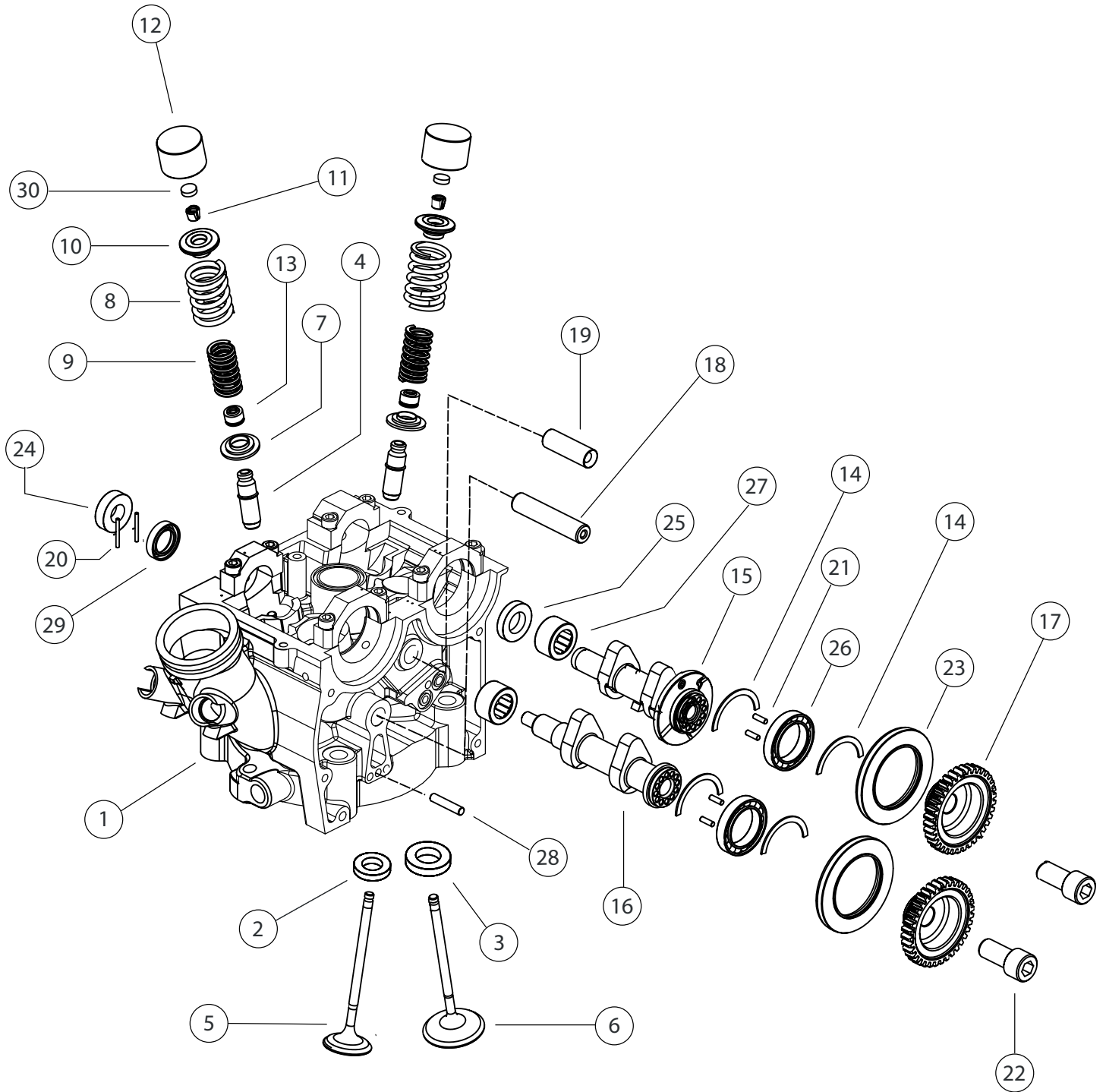


18	2	864-5001610			HOSE CLAMP, DOUBLE WIRE	
17-1	1	891-6000386-03		X	HOSE, OIL, COVER TO SPAR	
17	1	891-5001352	X		HOSE, OIL, COVER TO STARTER	
16	1	891-5001351	X		HOSE, OIL, COVER TO FRAME	
15	1	513-5000916-01			CAM COVER GASKET SET	INCLUDES #4, #5, #6, #14
14	1	872-5000915			O-RING, 2-023	
13	1	814-5001925			FHB M5X12 mm, ZINC	
12	1	483-5001781			IGNITION COIL ASSEMBLY	
11	1	483-5002029			SPARK PLUG - CR8EK	
10	1	483-5000853			COIL SEAL- UPPER	
9	1	483-5000852			COIL HOLD DOWN	
8	4	814-5001927			FHB M5X20 mm, ZINC	
7	2	814-5001945			FHB M5X35 mm, ZINC	
6	1	513-5000914			CAM COVER RBR LEFT SIDE	
5	1	513-5000913			CAM COVER RBR INTAKE	
4	1	513-5000912-03			CAM COVER RBR EXHAUST	
3-1	1	807-6000393-02		X	OIL BREA THER PLUG	INCLUDED IN CAM COVER ASSY
3	2	808-5001043-02	X	X	BREA THER NIPPLE	INCLUDED IN CAM COVER ASSY
2	1	801-5001136			SPLIT DOWEL PIN,5X10	INCLUDED IN CAM COVER ASSY
1-1	1	552-6000496-02		X	CAM COVER ASSY	
1	1	552-5001126-02	X		CAM COVER ASSY	
ITEM NO	QTY REQD	DEALER PART NUMBER	M/C	ATV MODEL	DESCRIPTION	NOTES
<b>CAMSHAFT COVER PARTS LIST</b>						

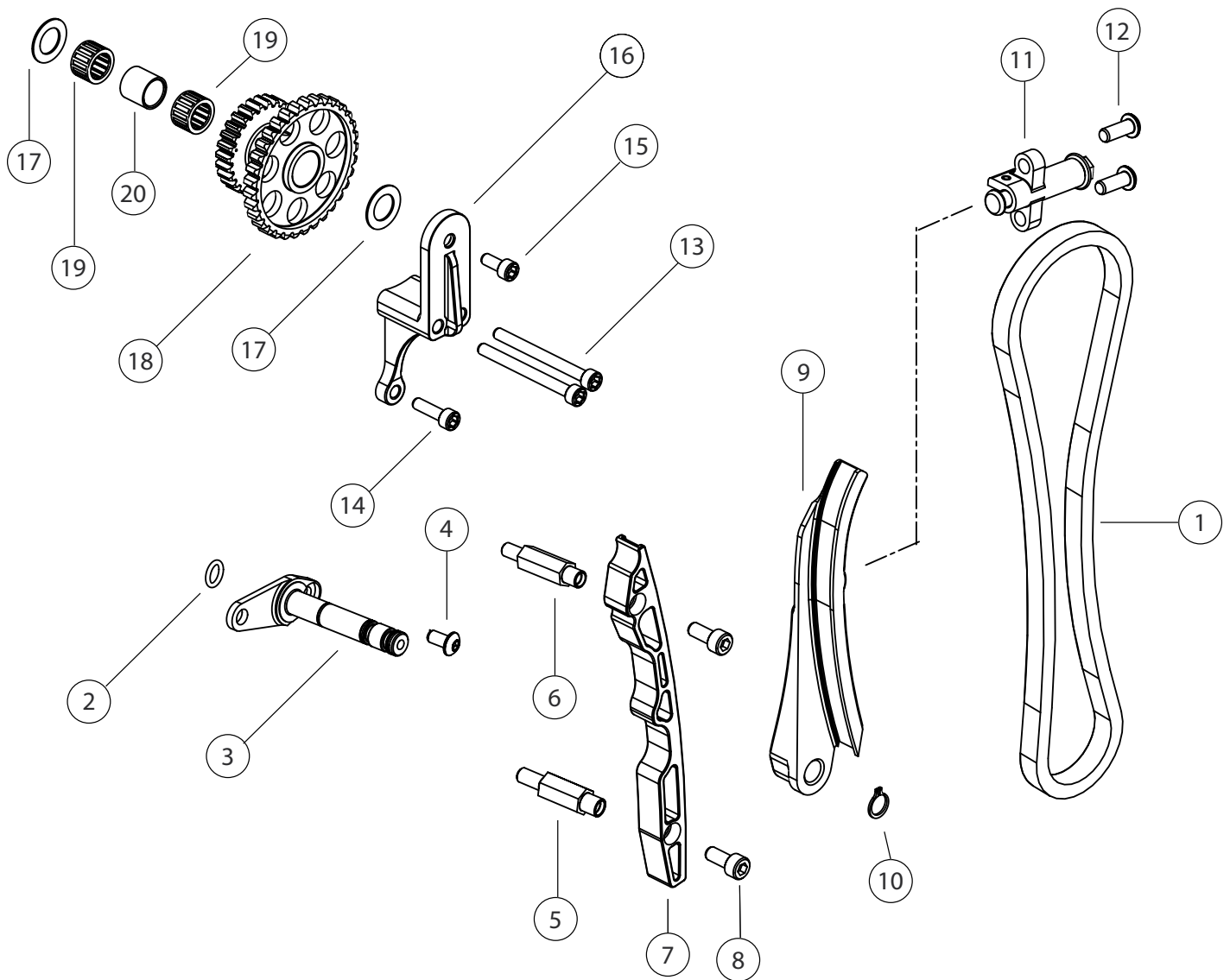


21	8	811-5001482			SHCS, M6X25 mm	
20	4	836-5001182			NUT, HEX FLANGE, M10	
19	4	841-5000770			FLAT WASHER, M10 STEEL	
18	2	836-5001957			NUT, FLANGE, M8	
17	2	841-5000713			FLAT WASHER, M8	
16	2	816-5000426			STUD, M8	
15	1	817-5001671			FHCS ,M6X1.0X45	
14	1	817-5001454			FHTS,M5X0.8X25	
13	2	593-5001259			OIL TRANSFER TUBE	
12	2	872-5000482			O-RING, 2-011	
11	1	513-5001861			IDLER GEAR BRACKET	
10	2	872-5000487			O-RING, 2-012	
9	1	513-5000252-05			CAMSHAFT IDLER GEAR 31T	
8	1	883-5001007			NEEDLE BEARING, 12X16X10	
7	2	844-5001724			THRUST WASHER, 12X20X.08	
6	4	816-5001523			STUD, M6 X 35	
5	2	801-5001136			SPLIT DOWEL PIN, 5X10	
4	2	816-5001457			STUD, M3 X 12	
3	1	872-5001461			O-RING, 2-111	
2	1	473-5000408			COOLANT TEMPERATURE SENSOR	
1	1	502-5001446			CYLINDER HEAD SUB ASSY	
ITEM NO	QTY REQD	DEALER PART NUMBER	MC/ATV MODEL		DESCRIPTION	NOTES

**CYLINDER HEAD PARTS LIST**

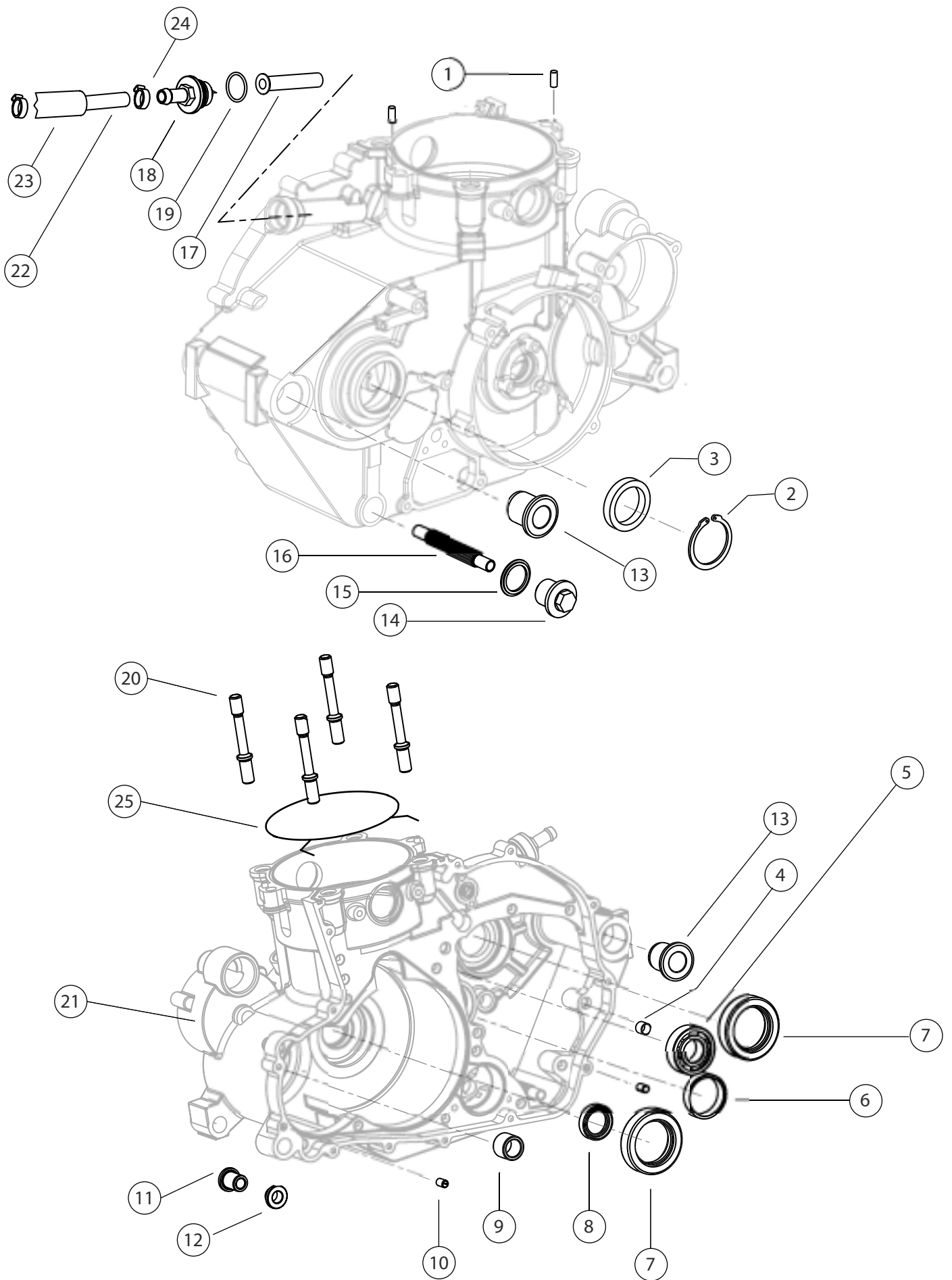


30		SEE TABLE	VALVE ADJUSTMENT SHIM		503-5001715	Valve Shim,2.05
29	1	871-5000465	OIL SEAL,14X25X5		503-5001714	Valve Shim,2.10
28	1	801-5000792	SOLID DOWEL PIN 5X24		503-5001713	Valve Shim,2.15
27	2	883-5000506	NEEDLE BEARING,16X24X13		503-5001665	Valve Shim,2.20
26	2	881-5000498	BALL BEARING		503-5001666	Valve Shim,2.25
25	1	871-5001355	OIL SEAL:16X24X5		503-5001667	Valve Shim,2.30
24	1	871-5001783-02	SEAL, 12X25X5 mm		503-5001668	Valve Shim,2.35
23	2	871-5000464	OIL SEAL,40X62X6		503-5001669	Valve Shim,2.40
22	2	811-5001488	SHCS, M12X 1.25X 25		503-5001670	Valve Shim,2.45
21	4	801-5001676	BEARING, ROLLER, 3X9.8mm		503-5001186	Valve Shim,2.50
20	2	801-5001406	DOWEL PIN, 2X20		503-5001187	Valve Shim,2.55
19	1	513-5000253	IDLER GEAR SHAFT		503-5001188	Valve Shim,2.60
18	1	513-5000251	CMSHFT DRV GR SHAFT		503-5001189	Valve Shim,2.65
17	2	513-5000249	CAM GEAR		503-5001190	Valve Shim,2.70
16	1	513-5001982	INTAKE CAMSHAFT		503-5001191	Valve Shim,2.75
15	1	512-5001756	EXHAUST CAMSHAFT ASSY	CALL BEFORE MC1000	503-5001192	Valve Shim,2.80
14	4	503-5000874	RETAINER,BEARING		503-5001193	Valve Shim,2.85
13	4	503-5000463	VALVE STEM SEAL		503-5001194	Valve Shim,2.90
12	4	503-5000239	VALVE BUCKET		503-5001195	Valve Shim,2.95
11	4	503-5002041	VALVE SPRING KEEPER		503-5001196	Valve Shim,3.00
10	4	503-5002057	VALVE SPRING RETAINER		503-5001197	Valve Shim,3.05
9	4	503-5000210-03	INNER VALVE SPRING		503-5001198	Valve Shim,3.10
8	4	503-5000209-03	OUTER VALVE SPRING		503-5001199	Valve Shim,3.15
7	4	503-5000208	VALVE SPRING SEAT		503-5001200	Valve Shim,3.20
6	2	503-5000207	EXHAUST VALVE		503-5001201	Valve Shim,3.25
5	2	503-5000206	INTAKE VALVE		503-5001202	Valve Shim,3.30
4	1	503-5000205	VALVE GUIDE	INCLUDED IN 502-5001446	503-5001203	Valve Shim,3.35
3	2	503-5001965	EXHAUST VALVE SEAT	INCLUDED IN 502-5001446	503-5001204	Valve Shim,3.40
2	2	503-5001964	INTAKE VALVE SEAT	INCLUDED IN 502-5001446	503-5001205	Valve Shim,3.45
1	1	502-5001446	CYLINDER HEAD SUB ASSY		503-5001206	Valve Shim,3.50
ITEM NO.	QTY REQ	DEALER PART NO.	DESCRIPTION	NOTES	DEALER PART NO.	DESCRIPTION
<b>VALVE TRAIN PARTS LIST</b>					<b>ADDITIONAL PARTS TABLE</b>	

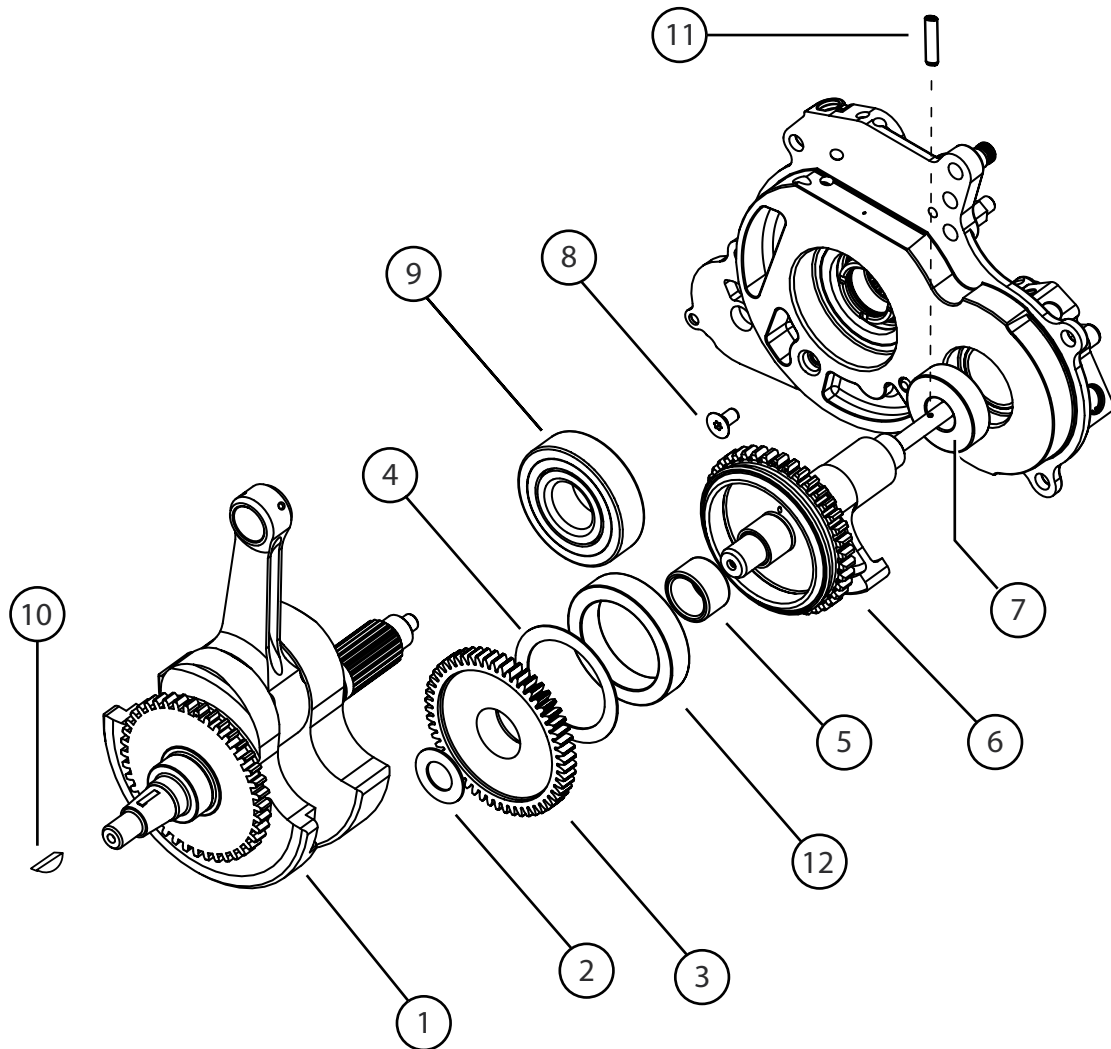


20	1	513-5001156			SPACER, DRIVE GEAR SPROCKET	
19	2	883-5001007			NEEDLE BEARING, 12X16X10	
18	1	513-5000250			DRIVE GEAR SPROCKET 27T, 33T	
17	2	844-5001724			WASHER, THRUST, 12X20X.08	
16	1	513-5001862			CAMSHAFT DRIVE GEAR BRACKET	
15	1	811-5001475			SHCS , M5X0.8X12 mm	
14	1	811-5001477			SHCS , M5X0.8X18 mm	
13	2	811-5001480			SHCS , M5X0.8X50 mm	
12	2	811-5001491			SHCS , M6X1.0X16 mm	
11	1	512-5001102			CAM CHAIN TENSIONER A SSEMBLY	
10	1	852-5001028			EXTRNL RETANING RING, M10	
9	1	513-5000671-04			CAM CHAIN TENSIONER SHOE	
8	2	811-5001481			SHCS , M6X1.0X14 mm	
7	1	513-5001039-03			TIMING CHAIN GUIDE	
6	1	513-5001829			TIMING CHAIN GUIDE SUPPORT	
5	1	513-5000999			CAM CHAIN TENSIONER PVT BOLT	
4	1	812-5000420			TBHCS, M5X0.8X10 mm, SS	
3	1	513-5001948			CAM CHAIN TENSIONER SHOE PIVOT	
2	1	872-5000482			O-RING, 2-011	
1	1	513-5000256			TIMING CHAIN	
ITEM NO	QTY REQD	DEALER PART NUMBER	M/C   ATV MODEL		DESCRIPTION	NOTES
<b>CAM DRIVE PARTS LIST</b>						



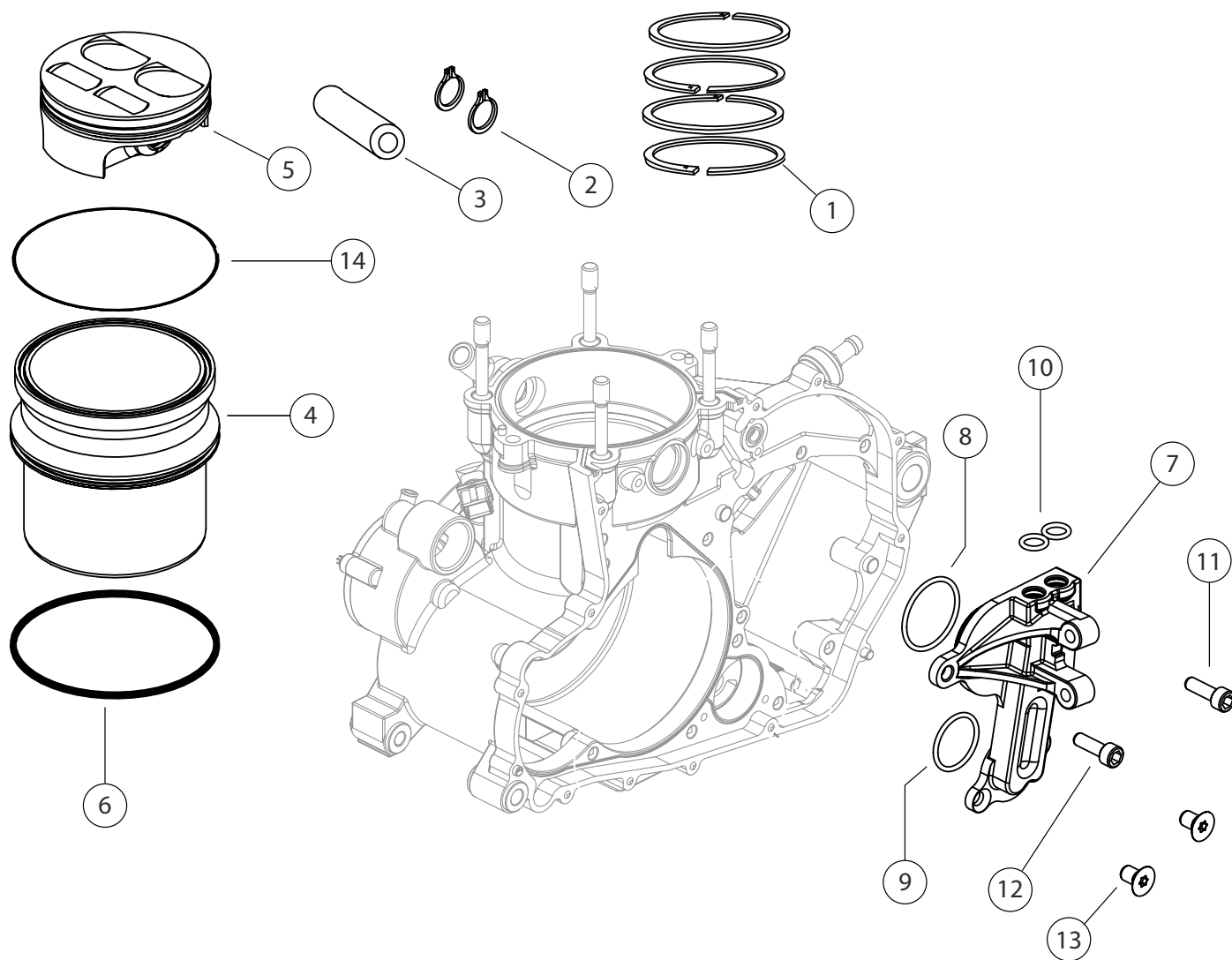


25	1	879-5002161			CYLINDER HEAD SEAL	
24	2	861-5000793			SCREW CLAMP	
23	1	893-5000773			HOSE SHEATH	
22	1	891-5001349			OIL INLET HOSE	
21	1	552-5001921			CRANKCASE	
20	1	816-5001731			CYL HEAD STUD, COLD HEADED	
19	1	872-5001063			O-RING, 2-018	
18	1	593-5001062			ENGINE OIL INLET FITTING	
17	1	593-5001117			ENGINE OIL INLET SCREEN ASSY	
16	1	593-5000389			TRANSMISSION OIL FILTER	
15	1	849-5001704			WASHER, TRANSMISSION DRAIN	
14	1	593-5000920			TRANSMISSION OIL FILTER PLUG	
13	2	885-5000649-02			RR ENGINE MOUNTING BUSHING	
12	2	885-5000648			FT OUTER ENGINE MOUNTING BUSHING	
11	2	885-5000650-02			FT INNER ENGINE MOUNTING BUSHING	
10	2	801-5001136			SPLIT DOWEL PIN, 5X10	
9	1	883-5001675			NEEDLE BEARING, 15X21X16	
8	1	871-5000469			OIL SEAL, 20X30X7 HMS4	
7	2	882-5001871			ROLLER BEARING, 31.5X52X15	
6	1	883-5000820			NEEDLE BEARING, 33.3X38.3X9.5	
5	1	881-5000500			BALL BEARING, 20X42X12	
4	2	801-5001557			HOLLOW DOWEL PIN	
3	1	871-5000470			OIL SEAL, 30X40X7	
2	1	851-5001135			INTRNL CIRCLIP, 40mm	
1	2	801-5001051			SOLID DOWEL PIN, 5X12	
ITEM NO	QTY REQD	DEALER PART NUMBER	MO	SP	DESCRIPTION	NOTES
<b>CRANKCASE PARTS LIST</b>						

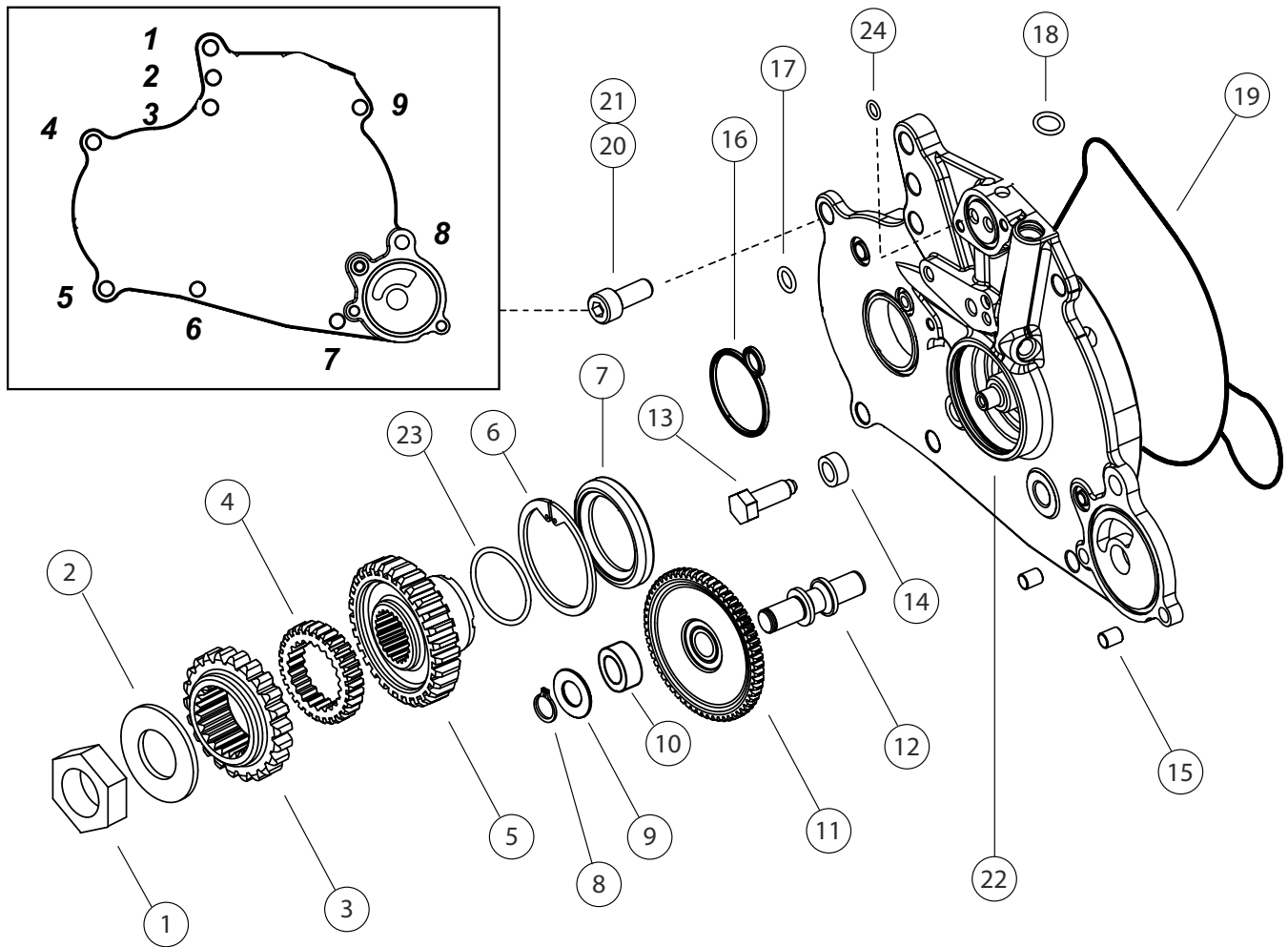


12	1	889-5000519			STARTER CLUTCH FWD	
11	1	801-5001146			DOWEL PIN, .0627X.375	
10	1	802-5001970			WOODRUFF KEY	
9	1	882-5001796			BEARING, 25X62X17 mm, PLSTC	
8	1	817-5001608			FLTHD SCRW, M6X1.0X12	
7	1	881-5000816			BALL BEARING:17X40X12-SEALED	
6	1	532-5001124			BALANCE SHAFT ASSY	
5	1	883-5001793			BEARING, NEEDLE, 20X26X16	
4	1	849-5001622			ONE WAY CLUTCH SPACER	
3	1	533-5000283-05			STARTER GEAR, 54T	
2	1	844-5000998			BALANCE SHAFT THRUST WASHER	
1	1	531-5001961			CRANKSHAFT ASSEMBLY	
ITEM NO	QTY REQD	DEALER PART NUMBER	M/C MODEL	ATV MODEL	DESCRIPTION	NOTES

**CRANKSHAFT PARTS LIST**



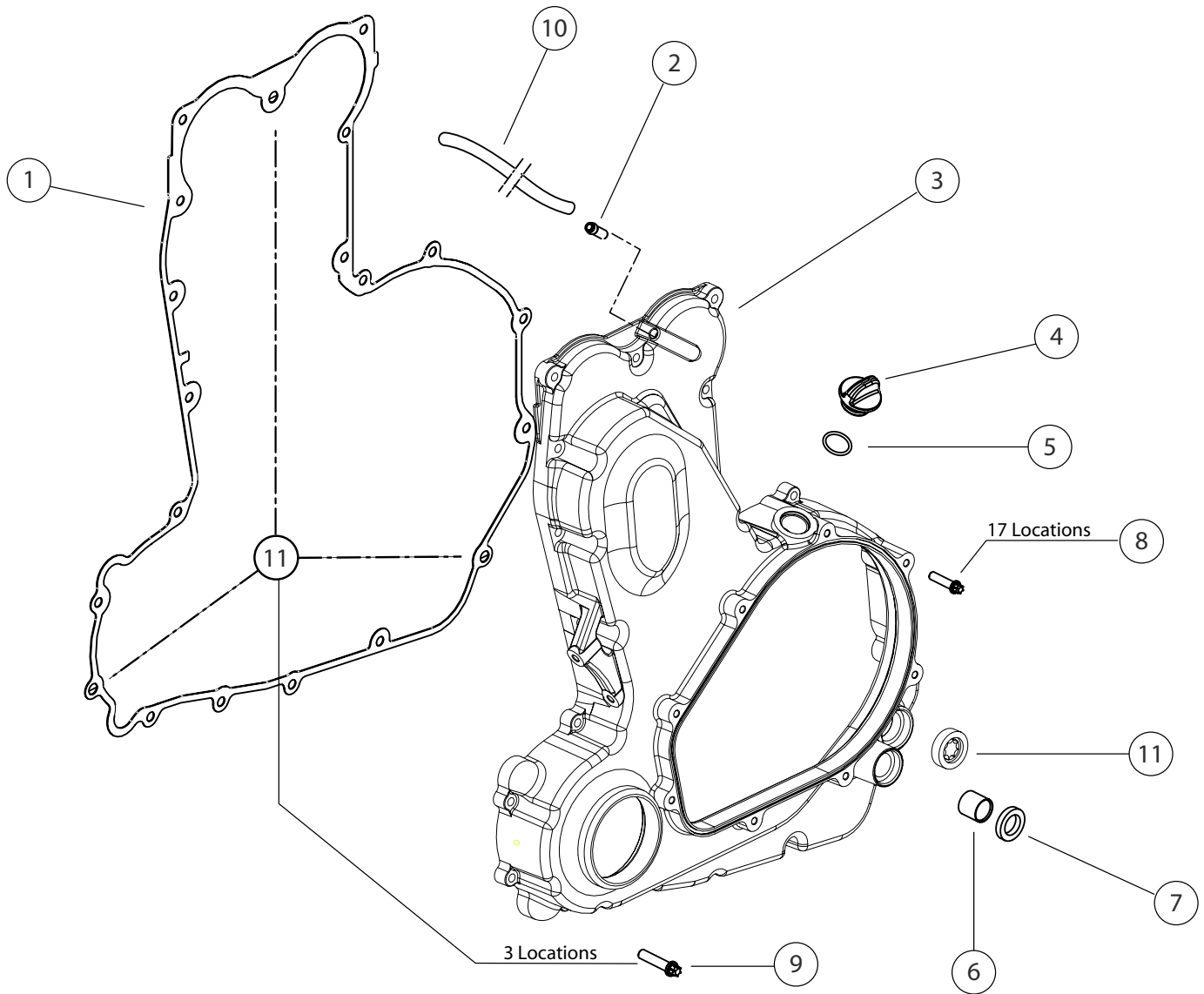
14	1	872-5001787			O-RING, 100X2.5 mm	
13	2	817-5001935			FHTS, M5X10 mm	
12	1	811-5001477			SHCS ,M5X18 mm	
11	1	811-5001475			SHCS ,M5X12 mm	
10	2	872-5000482			O-RING, 2-011	
9	1	872-5000921			O-RING, 2-019	
8	1	872-5000915			O-RING, 2-023	
7	1	553-5001866			PISTON PIN ACCESS COVER	
6	1	879-5000627			QUAD-RING, CYLINDER LINER	
5	1	522-5001981			PISTON, 95 mm, .180	
4	1	523-5001424			CYLINDER LINER, 95 mm	
3	1	523-5002314			PISTON PIN, 18 X 46.48 mm	
2	1	523-5002315			PISTON PIN CIRCLIP SET	
1	1	522-5002316			PISTON RING SET	
ITEM NO	QTY REQD	DEALER PART NUMBER	MC	ATV MODEL	DESCRIPTION	NOTES
<b>PISTON PARTS LIST</b>						



24	1	872-5000304			O-RING, 2-009	
23	1	872-5001120			O-RING, 2-022	
22	1	533-5001737-11			CRANKSHAFT CARTRIDGE PLATE	
21	5	811-5001484			SHCS, M8 X 1.25X 20	POSITIONS 4...5...6...7...9
20	4	811-5001485			SHCS, M8 X 1.25X 25	POSITIONS 1...2...3...8
19	1	879-5001230			CRANKSHAFT CARTRIDGE PLATE SEAL	
18	1	872-5000487			O-RING, 2-012	
17	1	872-5000482			O-RING, 2-011	
16	1	593-5001002			PRESSURE PUMP SEAL	
15	2	801-5001037			SCAVENGE PUMP LOCATING DOWEL	
14	1	849-5000452-02			TDC WASHER, 8X13X5.5 mm	
13	1	811-5000428			TDC SCREW	
12	1	801-5000629-06			IDLR GEAR SHAFT 10X45	
11	1	593-5000390			SCAVENGE PUMP IDLER GEAR	
10	1	882-5001152			ROLLER BEARING, 10X14X12	
9	1	844-5001244			THRST WASHER 10.1X20X1	
8	1	852-5001028			EXTERNAL RETAINING RING, M10	
7	1	871-5000466			OIL SEAL, 33X47X7	
6	1	851-5001109			INTERNAL RETAINING RING, 47mm	
5-1	1	533-6000227		X	PRIMARY DRIVE GEAR: 28T	
5	1	533-5000630		X	PRIMARY DRIVE GEAR: 29T	
4	1	593-5000367			SCAVENGE PUMP DRIVE GEAR: 30T	
3	1	513-5000263			TIMING CHAIN SPROCKET: 22T	
2	1	849-5001110			DISC SPRING, 16.3 X 31.5 X 2	
1	1	835-5000216			JAM NUT, M16X1.5	

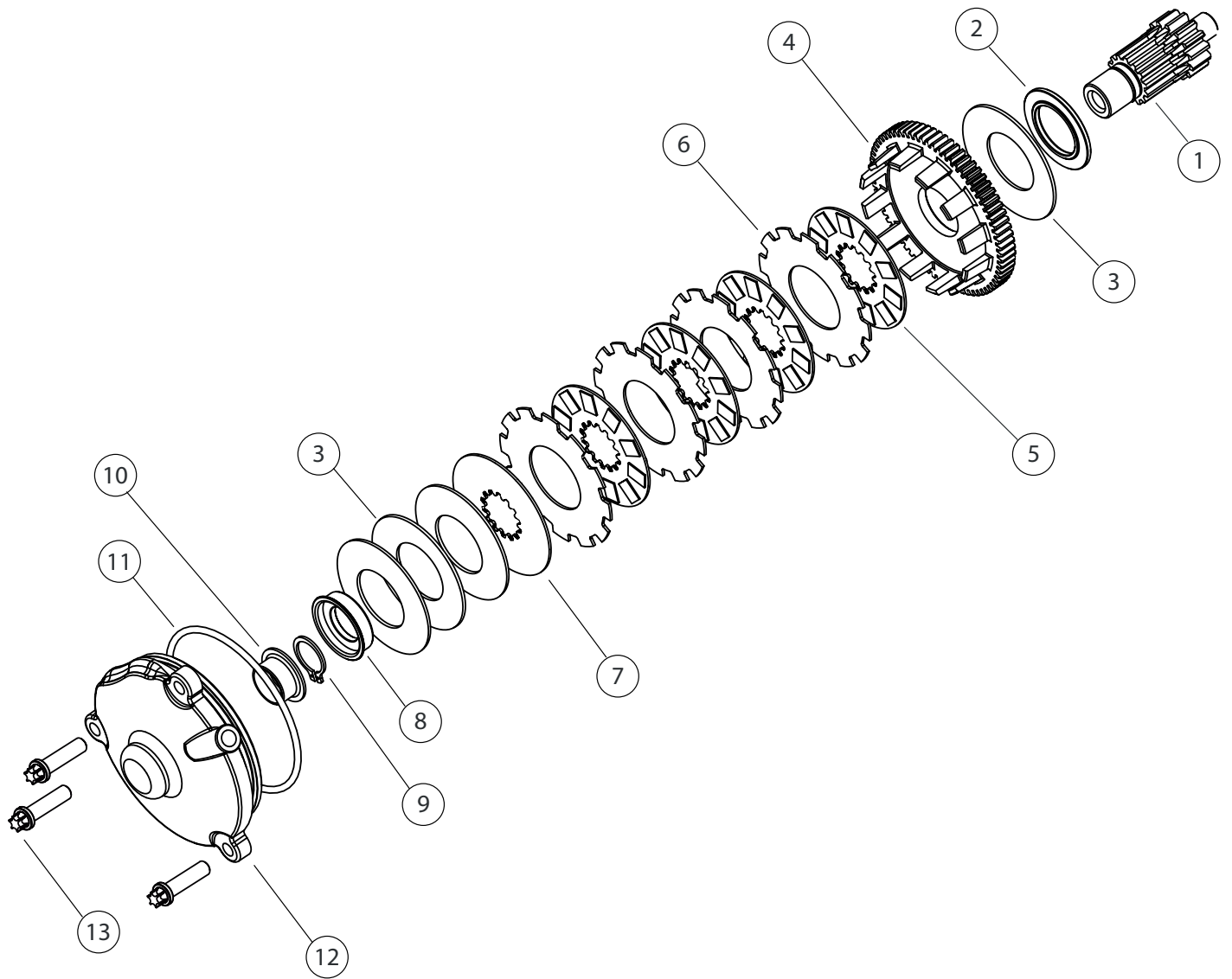
ITEM NO	QTY REQD	DEALER PART NUMBER	M/C   ATV MODEL	DESCRIPTION	NOTES
---------	----------	--------------------	-----------------	-------------	-------

**CRANKSHAFT CARTRIDGE PLATE PARTS LIST**

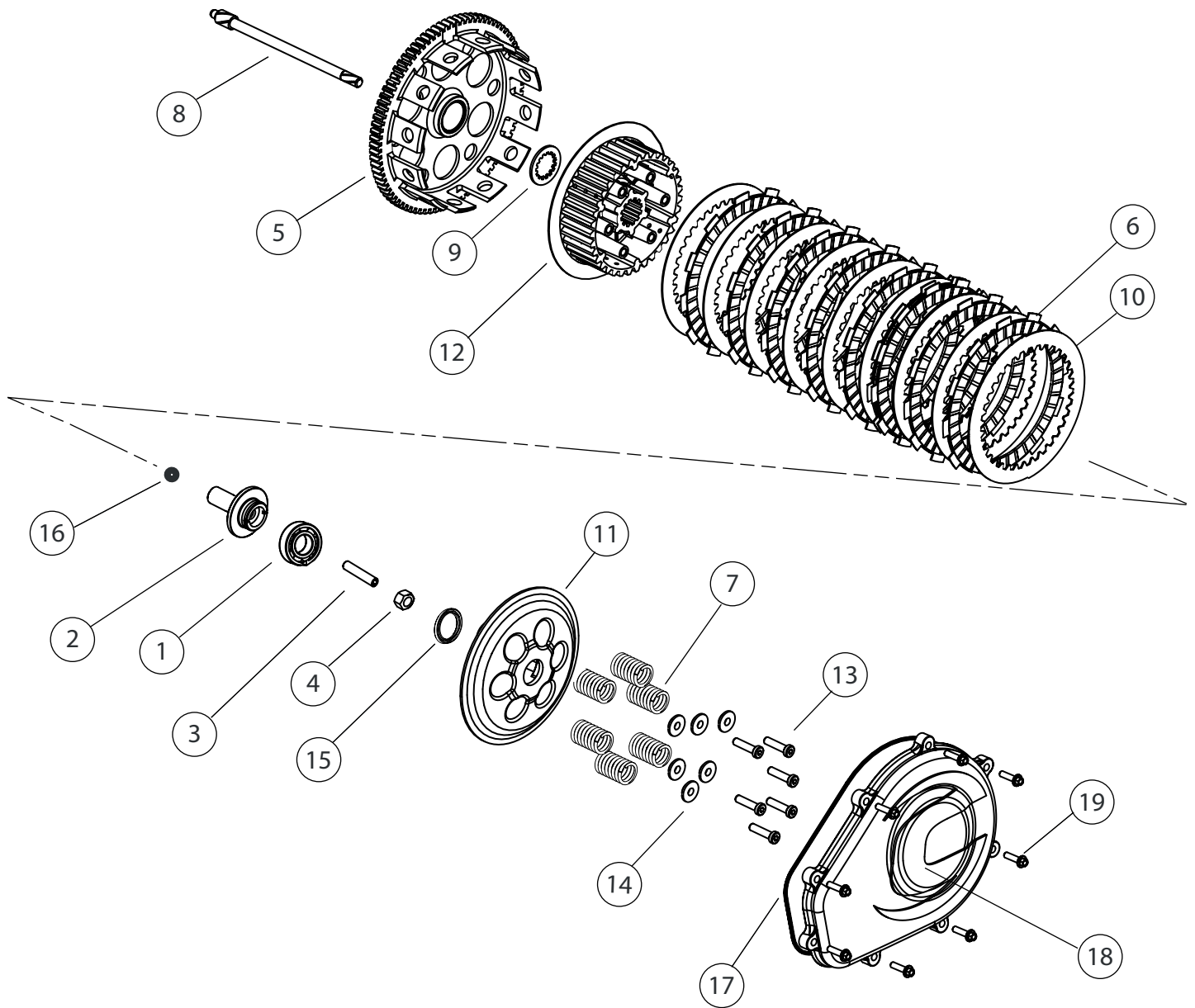


11	1	593-5002071			OIL LEVEL SIGHT WINDOW	INCLUDED IN 553-5002269
10-1	1	891-5001556-03		X	BREATHER HOSE	
10	1	891-5002313	X		BREATHER HOSE	
9	3	819-5001944			THCS, M5X0.8X22	
8	17	819-5001927			TBHCS, XTRL M5X0.8X20	
7	1	871-5000473			OIL SEAL: 14X22X4 (2 LIP)	
6	1	885-5000517			BUSHING	
5	1	872-5000828			O-RING, 2-016	
4	1	553-5001434			TRANSMISSION OIL FILL CAP	
3	1	553-5002269			CRANKCASE COVER	
2	1	808-5001255-03			HOSE NIPPLE, 6M	INCLUDED IN 553-5002269
1	1	553-5000315			CRANKCASE COVER GASKET	
ITEM NO	QTY REQD	DEALER PART NUMBER	MC	ATV MODEL	DESCRIPTION	NOTES

**CRANKCASE COVER PARTS LIST**



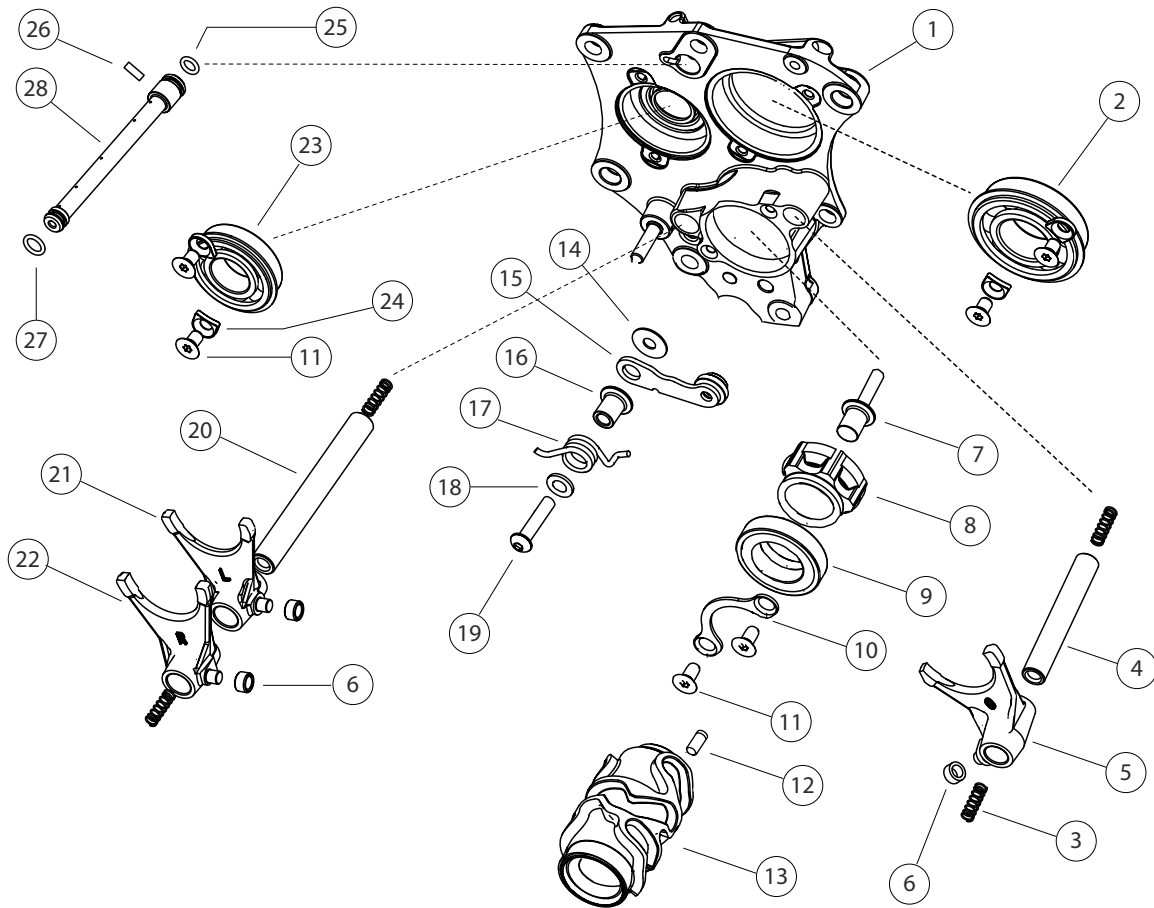
13	3	814-5001926			FHB M5X16 mm, Zinc	
12	1	493-5001863-04			STARTER CLUTCH COVER	
11	1	872-5001275			O-RING, 2-147	
10	1	885-5001902			BUSHING, FLANGE, 15X17X9 mm	
9	1	852-5001598			EXTERNAL RETAINING RING: 15	
8	1	493-5002160			STARTER CLUTCH BUSHING	
7	1	493-5001496-04			STARTER CLUTCH PRESSURE PLATE	
6	4	493-5001497-02			STARTER CLUTCH METALLIC DISC	
5	4	493-5001495			STARTER CLUTCH FRICTION DISC	
4	1	493-5001465-04			STARTER CLUTCH BASKET	
3	4	849-5001797			DISC SPRING, 50X1.25	
2	1	493-5001814-04			STARTER CLUTCH BUSHING B	
1	1	493-5001466-06			STARTER CLUTCH SHAFT	
ITEM NO	QTY REQD	DEALER PART NUMBER	M/C	ATV MODEL	DESCRIPTION	NOTES
<b>STARTER CLUTCH PARTS LIST</b>						



19	8	814-5001927			FHB M5X20 mm, Zinc	
18	1	553-5001694			CLUTCH COVER	
17	1	872-5001017			CLUTCH COVER SEAL	
16	1	881-5001280			BALL BEARING, 8mm	
15	1	852-5001119			EXTRNL RETAINING RING: 24	
14	6	849-5000455			SEAT, SPRING, CLUTCH	
13	6	811-5001482			SHCS ,M6X25 mm	
12	1	563-5001627			HUB, CLUTCH	
11	1	563-5002025			PRESSURE PLATE, CLUTCH	
10	10	563-5001976			CLUTCH PLATE, STEEL, 1.0mm	
9	1	563-5001069			WASHER, SPLINED	
8	1	562-5002163-02			CLUTCH PUSHROD	
7	6	563-5001924			SPRING, CLUTCH, PK6	
6	9	563-5000333			CLUTCH PLATE, FRICTION, 2.32mm	
5-1	1	562-6000331		X	CLUTCH BASKET ASSEMBLY	
5	1	562-5001129		X	CLUTCH BASKET ASSEMBLY	
4	1	834-5001928			NUT, HEX, M5	
3	1	823-5002272			SCREW, SET M5X25	
2	1	563-5002158			CLUTCH RELEASE COLLAR	
1	1	881-5002026			BEARING, BALL, 16004	
ITEM NO	QTY REQD	DEALER PART NUMBER	M/C	ATV MODEL	DESCRIPTION	NOTES

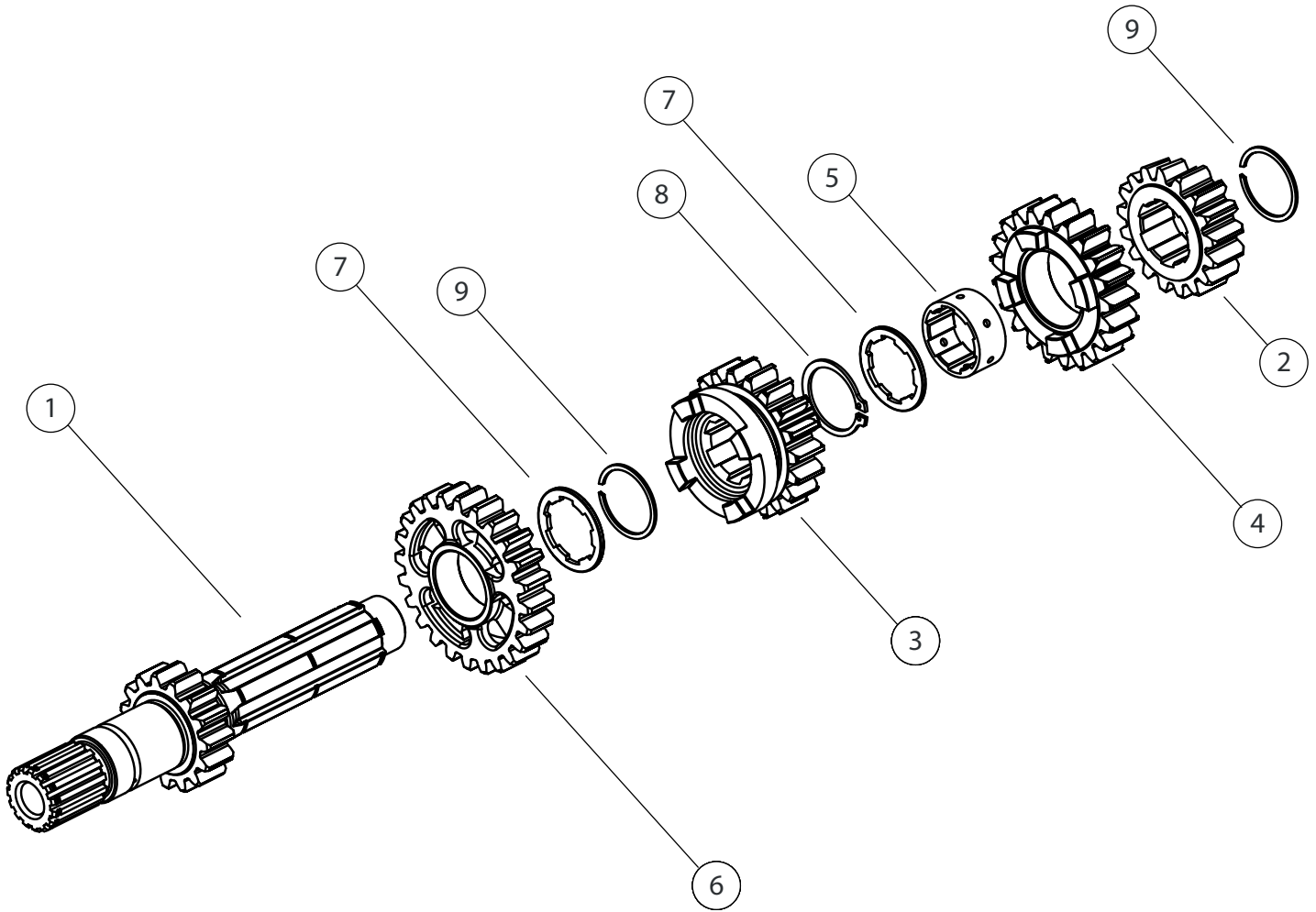
**CLUTCH PARTS LIST**



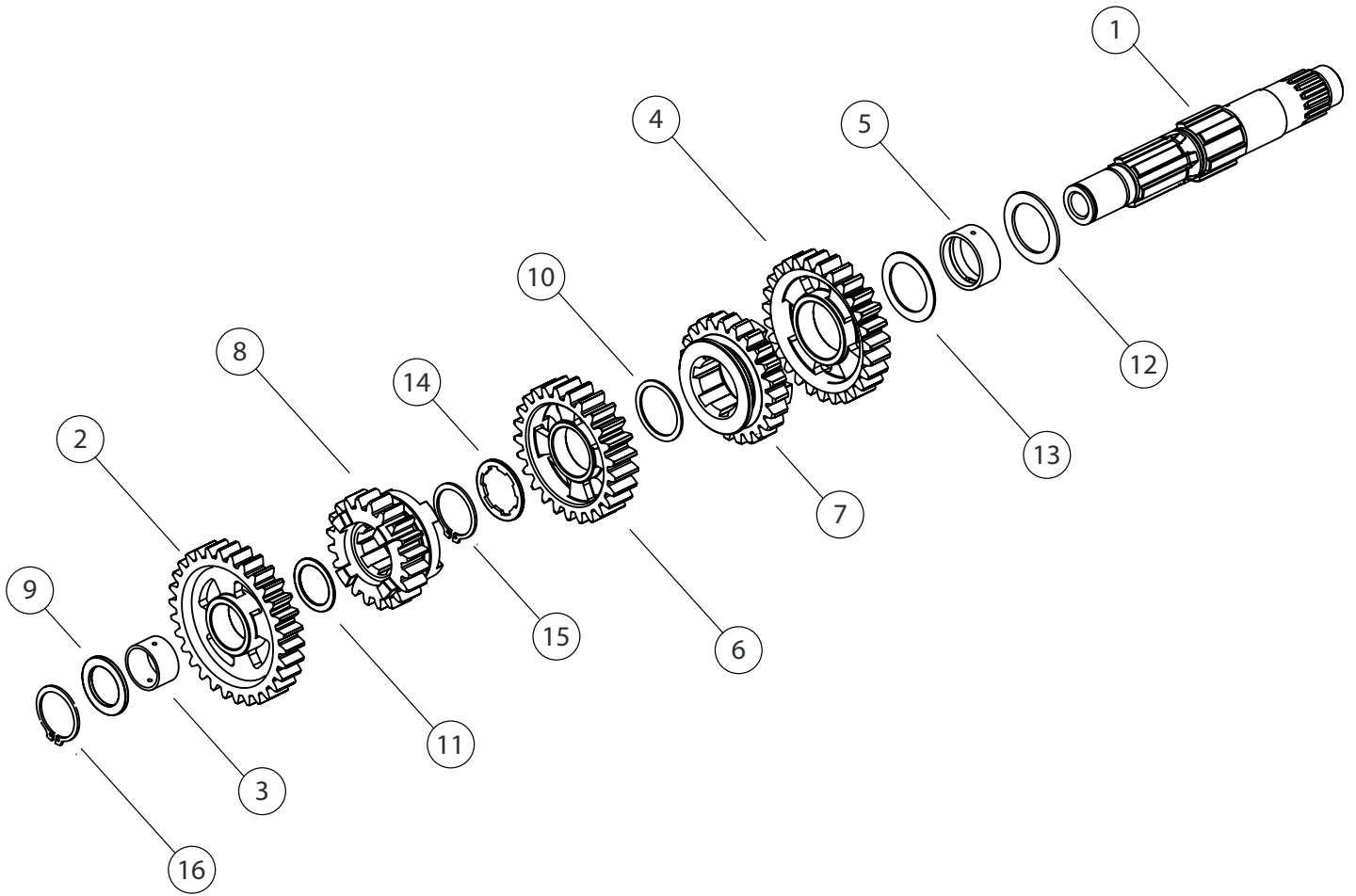


28	1	542-5001132		SPRAYBAR ASSEMBLY	
27	1	872-5000482		O-RING, 2-011	INCLUDED IN 542-5001132
26	1	801-5001630		DOWEL PIN, 3 X 11.8	INCLUDED IN 542-5001132
25	1	872-5000930		O-RING, 2-010	INCLUDED IN 542-5001132
24	2	553-5000917		BEARING RETAINER PLATE	
23	1	881-5001076		BALL BEARING, 20X42X12	
22	1	573-5001619		COUNTERSHAFT SHIFT FORK 2ND	
21	1	573-5001618		COUNTERSHAFT SHIFT FORK 1 & 3	
20	1	573-5000346		COUNTERSHAFT SHIFT FORK SHAFT	
19	1	812-5001628		BHCS, M6 X 1.0 X 30	
18	1	841-5000880		WSHR .251X.560X.062	
17	1	573-5000364		DETENT LEVER SPRING	
16	1	573-5000358		DETENT LEVER BOLT	
15	1	572-5000935		DETENT LEVER ASSEMBLY	
14	1	841-5001548		WASHER, TRA-411	
13	1	572-5001131		SHIFT DRUM ASSEMBLY	
12	1	801-5001509		SOLID DOWEL PIN, 4 X 8	
11	6	817-5001935		FLTHD TXSCW, M5X0.8X14	
10	1	543-5000656		SHIFT DRUM BEARING RETAINER	
9	1	881-5000655		BALL BEARING, 25X42X9	
8	1	573-5000348		SHIFT CAPSTAN	
7	1	573-5000660-04		SCREW, SHIFT PIN	
6	3	573-5000997		SHIFT FORK ROLLER BUSHING	
5	1	573-5001617		MAINSHAFT SHIFT FORK 1 & 3	
4	1	573-5000345		MAINSHAFT SHIFT FORK SHAFT	
3	4	573-5000996		SHIFT FORK CENTERING SPRING	
2	1	881-5000654		BALL BEARING, 25X52X15	
1	1	543-5001735-03		TRANSMISSION CARTRIDGE PLATE	
ITEM NO	QTY REQD	DEALER PART NUMBER	M/C ATV MODEL	DESCRIPTION	NOTES

**TRANSMISSION CARTRIDGE PLATE, REAR**

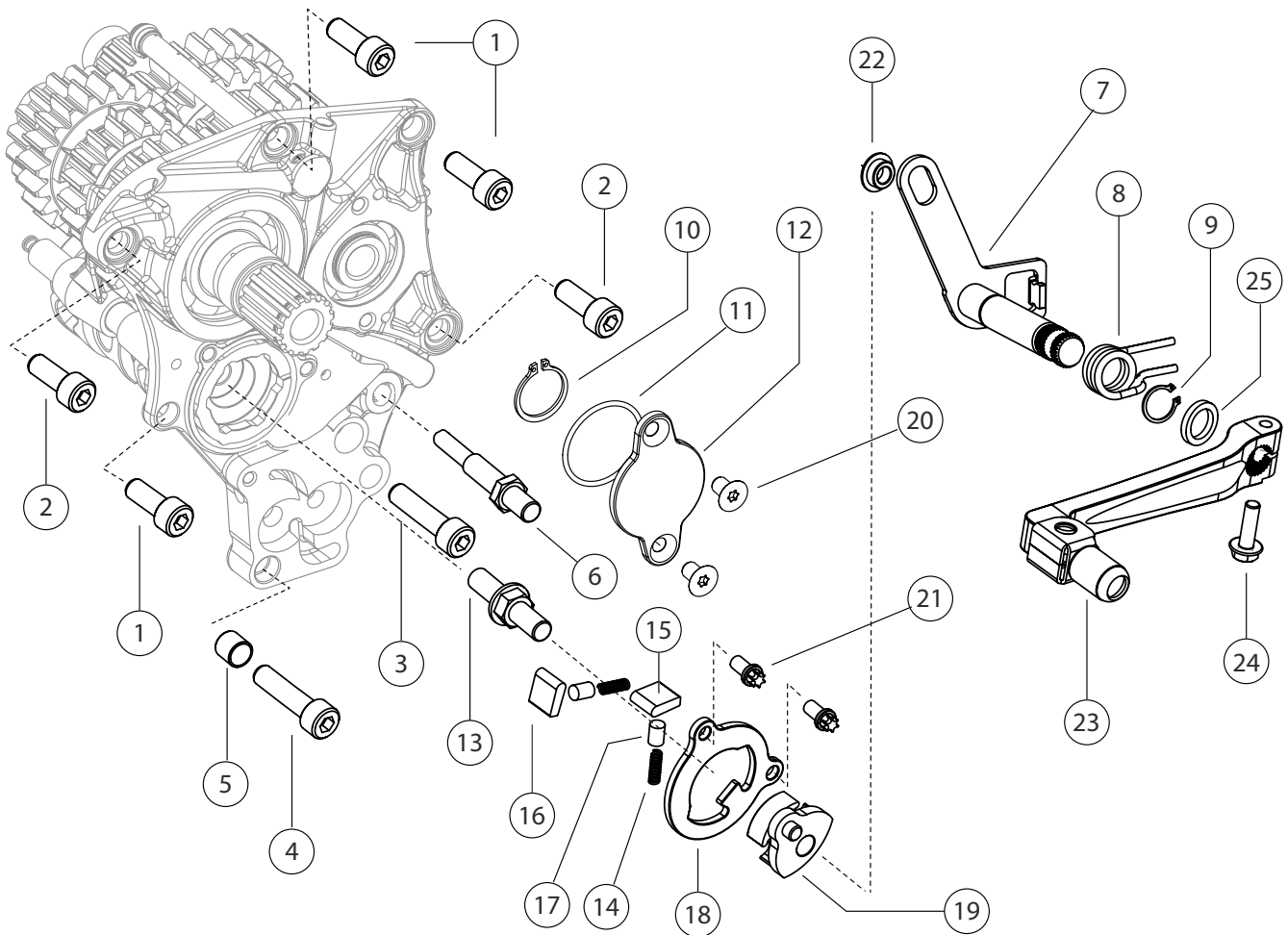


9	2	854-5001425			CONSTANT SECTION RTNG RING	
8	1	852-5000461			EXTERNAL RETAINING RING: 25	
7	2	849-5000454			SPLINED WASHER: 25	
6-1	1	543-6000554		X	MAINSHAFT 5TH GEAR	
6	1	543-5000293	X		MAINSHAFT 5TH GEAR	
5	1	543-5000292			MAINSHAFT SPLINED BUSHING	
4	1	543-5000291			MAINSHAFT 4TH GEAR	
3	1	543-5000290-06			MAINSHAFT 3RD GEAR	
2-1	1	543-6000555		X	MAINSHAFT 2ND GEAR	
2	1	543-5000289-05	X		MAINSHAFT 2ND GEAR	
1	1	543-5000288-08			MAINSHAFT	
ITEM NO	QTY REQD	DEALER PART NUMBER	M/C	ATV MODEL	DESCRIPTION	NOTES
<b>MAINSHAFT PARTS LIST</b>						

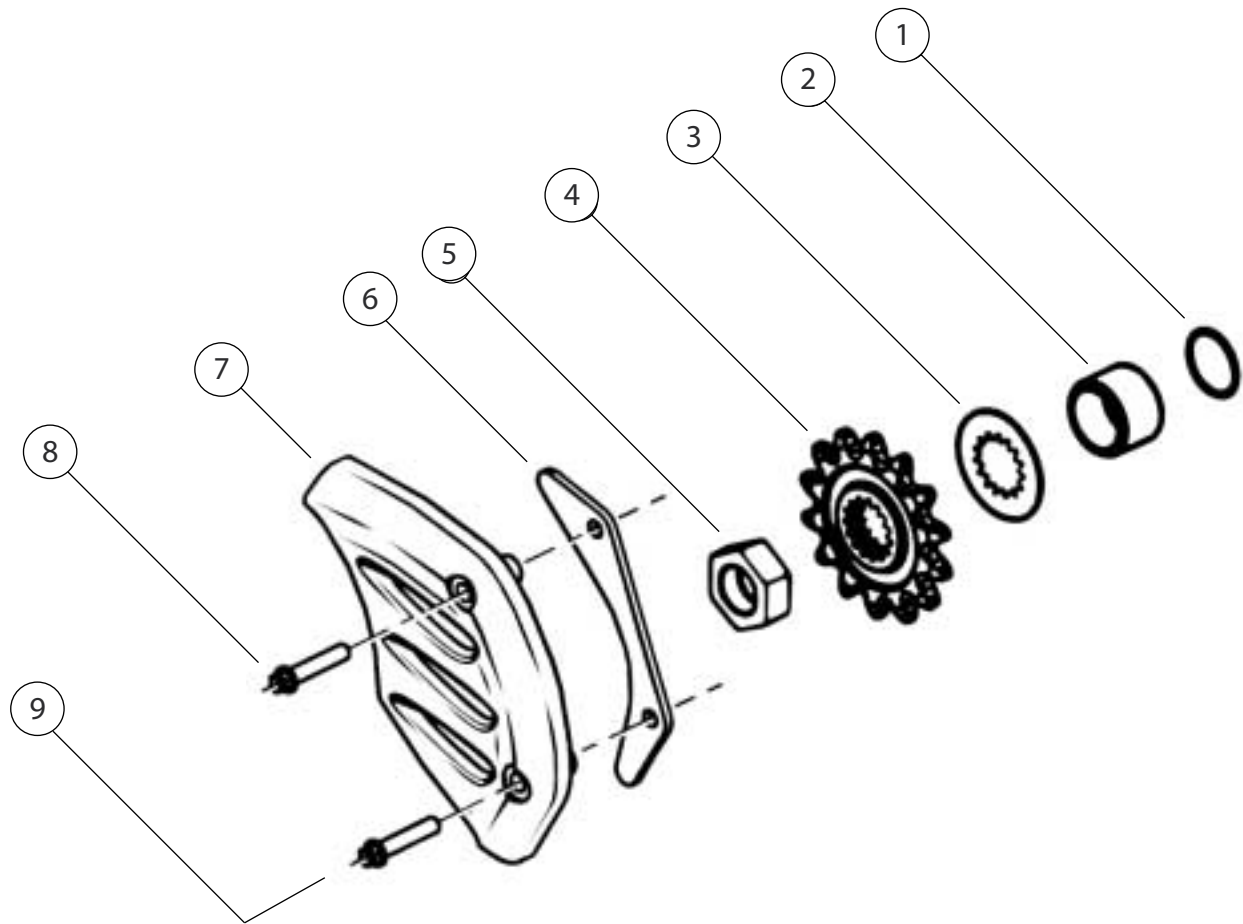


16	1	852-5001606			EXTERNAL RETAINING RING, 20	
15	1	852-5000461			EXTERNAL RETAINING RING, 25	
14	1	849-5000454			SPLINED WASHER: 25	
13	1	844-5000908			THRUST WASHER, 35X25.2X1	
12	1	844-5000657			THRST WASHER, 25.1X36X1.5	
11	1	844-5000446			THRUST WASHER,19	
10	1	844-5000445			THRUST WASHER:25.2X30	
9	1	844-5000441			THRST WASHER, MAINSHAFT	
8-1	1	543-6000558		X	COUNTERSHAFT 5TH GEAR	
8	1	543-5000301	X		COUNTERSHAFT 5TH GEAR	
7	1	543-5000300			COUNTERSHAFT 4TH GEAR	
6-1	1	543-6000557		X	COUNTRSHAFT 3RD GEAR	
6	1	543-5000299	X		COUNTRSHAFT 3RD GEAR	
5	1	543-5000298			COUNTRSHAFT 2ND GEAR BUSHING	
4-1	1	543-6000556		X	COUNTERSHAFT 2ND GEAR	
4	1	543-5000297	X		COUNTERSHAFT 2ND GEAR	
3	1	543-5000296			COUNTRSHAFT 1ST GEAR BUSHING	
2	1	543-5000295-05			COUNTERSHAFT 1ST GEAR	
1	1	543-5000294-06			COUNTERSHAFT	
ITEM NO	QTY REQD	DEALER PART NUMBER	M/C	ATV MODEL	DESCRIPTION	NOTES

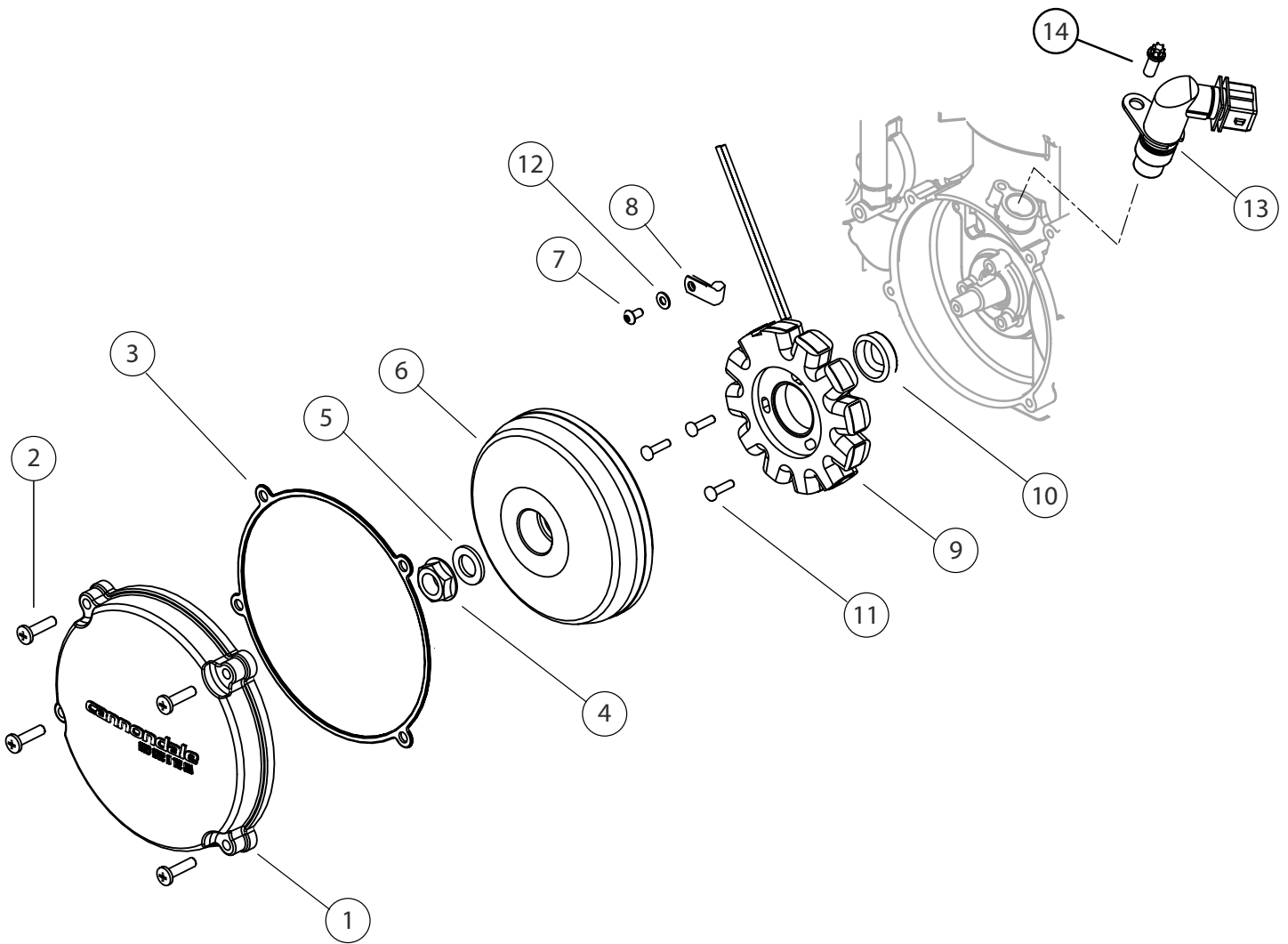
**COUNTERSHAFT PARTS LIST**



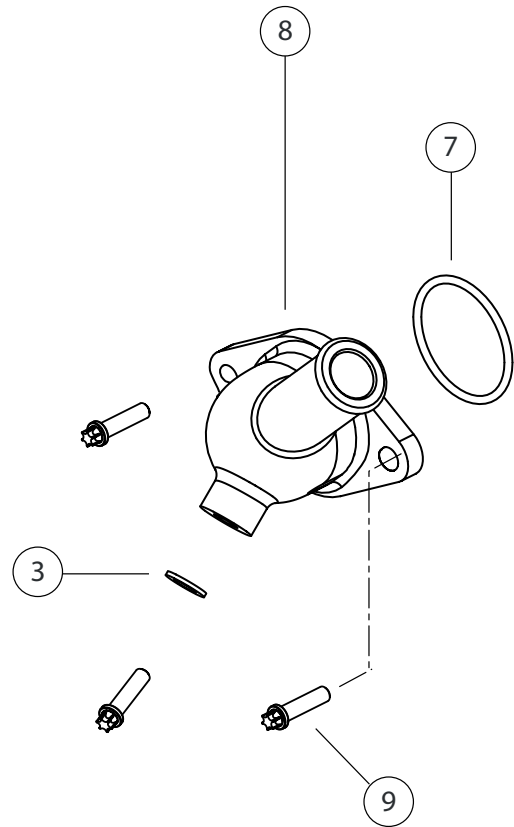
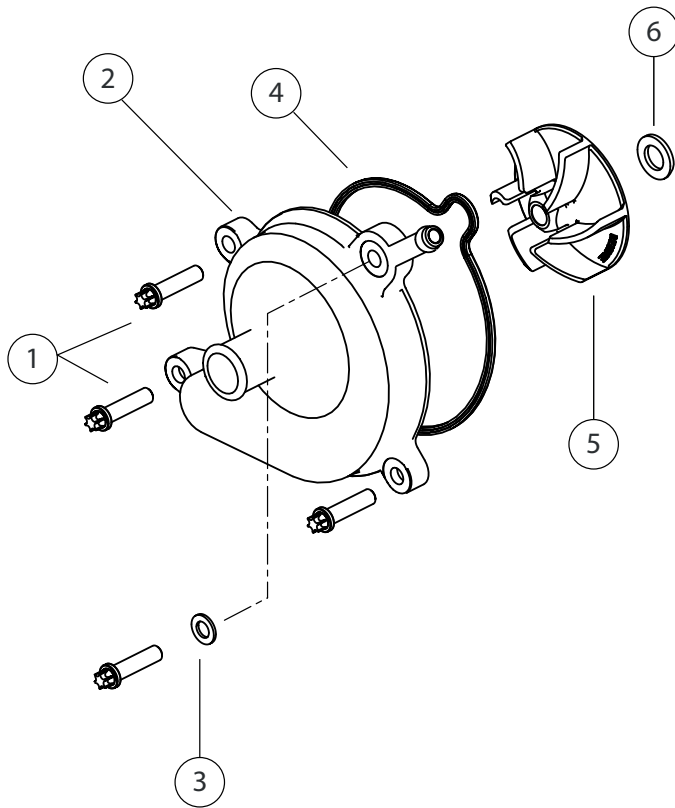
25	1	573-5000928			SHIFT SHAFT SPACER	
24	1	814-5000095			FHB, M6X20 mm, NYLK	
23-1	1	572-6000211		X	GEARSHIFT LEVER, ATV	
23	1	572-5000341	X		GEARSHIFT LEVER	
22	1	573-5000366			SHIFT COLLAR	
21	2	819-5001947			BHTS M5X14 mm	
20	2	817-5001935			FLTHD TXSCW, M5X0.8X14 mm	
19	1	573-5000658			SHIFT DRUM RATCHET	
18	1	573-5000360-06			SHIFT DRUM RATCHET PLATE	
17	2	573-5000354			SHIFT PAWL PLUNGER	
16	1	573-5000351			SHIFT PAWL B	
15	1	573-5000352			SHIFT PAWL A	
14	2	573-5000353			SHIFT PAWL SPRING	
13	1	573-5000660			SCREW, SHIFT PIN	
12	1	573-5000662			MAINSHAFT END CAP	
11	1	872-5000968			O-RING, 2-025	
10	1	852-5001028			EXTRNL RTNING RING, M10	
9	1	854-5000462			EXTRNL RTNING RNG:14mm	
8	1	573-5000365			SHIFT SHAFT SPRING	
7	1	573-5000340			SHIFT SHAFT WELDMENT	
6	1	573-5000359			SHIFT STOP PIN	
5	1	801-5001557			HOLLOW DOWEL PIN	
4	1	811-5001487			SHCS ,M8 X 1.25X 35	
3	1	811-5001486			SHCS ,M8 X 1.25X 30	
2	2	811-5001485			SHCS ,M8 X 1.25X 25	
1	3	811-5001484			SHCS ,M8 X 1.25X 20	
ITEM NO	QTY REQD	DEALER PART NUMBER	MC	ATV MODEL	DESCRIPTION	NOTES
<b>TRANSMISSION CARTRIDGE PLATE , FRONT</b>						



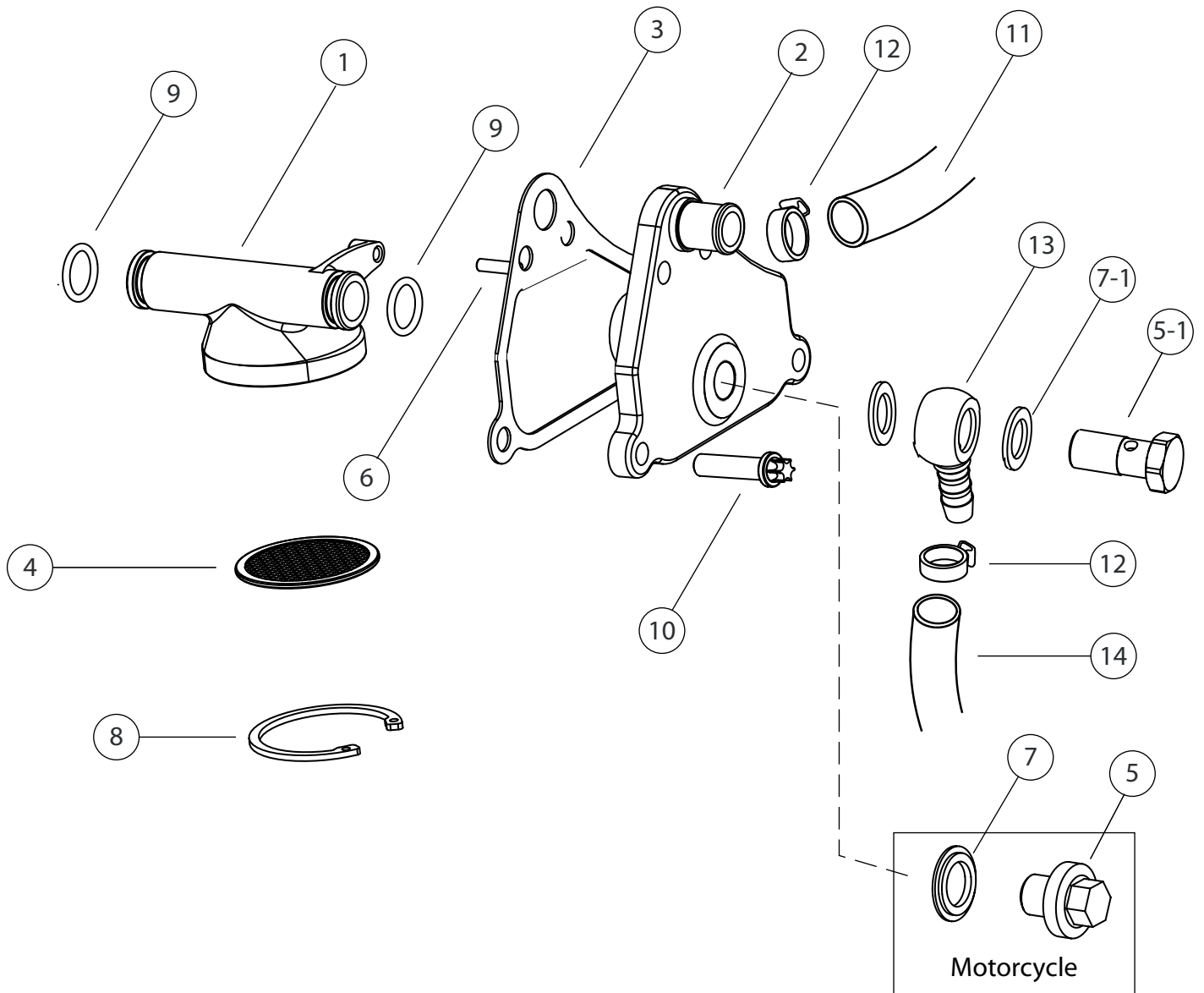
9	1	814-5002197			FHB, M6X65 mm	
8	1	814-5002195			FHB, M6X45 mm	
7	1	183-5000468-02			COUNTERSHAFT SPROCKET COVER	
6	1	553-5000321			DRIVE CHAIN GUIDE PLATE	
5	1	839-5000991			RETAINING NUT	
4-2	1	183-5000278			COUNTERSHAFT SPROCKET:15T	
4-1	1	183-5000276		X	COUNTERSHAFT SPROCKET:14T	STOCK MOTO440
4	1	183-5000118	X	X	COUNTERSHAFT SPROCKET:13T	STOCK
3	1	849-5000990			SPLINED LOCK WASHER	
2	1	543-5000693			COUNTERSHAFT SPROCKET SPACER	
1	1	872-5000494			O-RING, 2-021	
ITEM NO	QTY REQD	DEALER PART NUMBER	M/C MODEL	ATV MODEL	DESCRIPTION	NOTES
<b>COUNTERSHAFT SPROCKET PARTS LIST</b>						



14	1	819-5001925			FHB M5X12 mm, Zinc	
13	1	483-5000687			CRANKSHAFT POSITION SENSOR	
12	1	841-5001271			FLAT WSHR, M4	
11-1	3	812-6000490		X	SHCS, M5X0.8X16 mm	
11	3	812-5001476	X		SHCS, M5X0.8X16 mm	
10	1	463-5001979			GENERATOR ALIGNMENT COLLAR	
9-2	1	463-6000322		X	GENERATOR STATOR	
9-1	1	463-5001839	X		GENERATOR STATOR	C440, E440
9	1	463-5001510	X		GENERATOR STATOR	X440
8	1	861-5001258			ALUM CLAMP	
7	1	812-5001473			BHCS, M4X0.7X8 mm	
6	1	462-5001857			FLYWHEEL	
5	1	842-5001580			LOCK WASHER, M12	
4	1	836-5001044			FLANGE NUT, M12X1.25	
3	1	463-5000924			GENERATOR COVER GASKET	
2	4	819-5001592			PHILIPS HD SCREW, M5X20	
1	1	553-5000316			COVER, GENERATOR	
ITEM NO	QTY REQD	DEALER PART NUMBER	M/C	ATV MODEL	DESCRIPTION	NOTES
<b>GENERATOR STATOR PARTS LIST</b>						

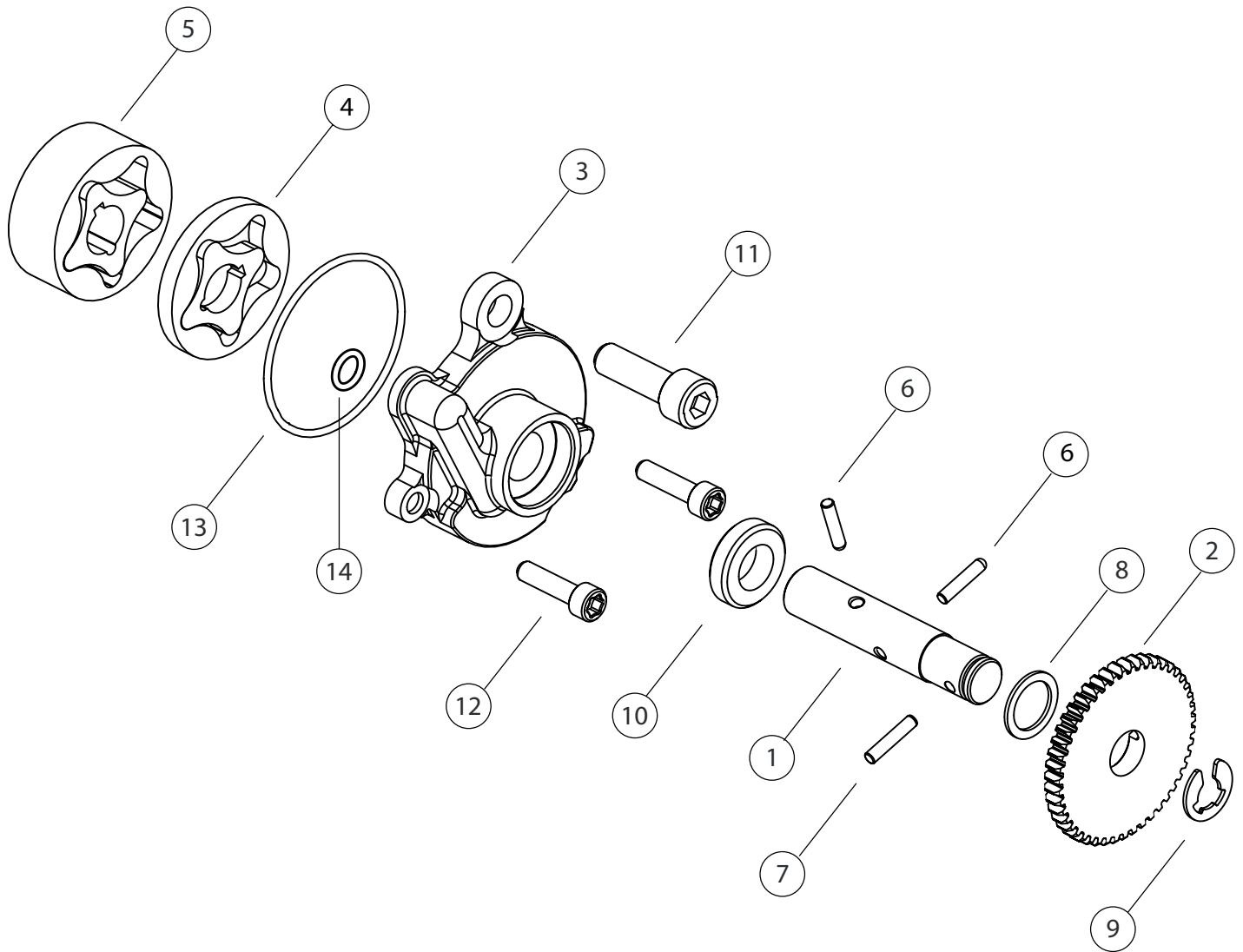


9	2	814-5001925			FHB M5X12 mm, ZINC	
8	1	553-5001879			OUTLET, WATER	
7	1	872-5000915			O-RING, 2-023	
6	1	841-5001933			WSHR, .320X.547X.040 IN	
5	1	403-5001442-05			WATER PUMP IMPELLER	
4	1	403-5000180			WATER PUMP GASKET	
3	1	841-5001895			WASHER, BRASS, 5X9X.9 mm	
2	1	403-5001860-01			WATER PUMP HOUSING	
1	4	819-5001927			FHB M5X20 mm, ZINC	
ITEM NO	QTY REQD	DEALER PART NUMBER	MC	ATV MODEL	DESCRIPTION	NOTES
<b>WATER COVERS PARTS LIST</b>						



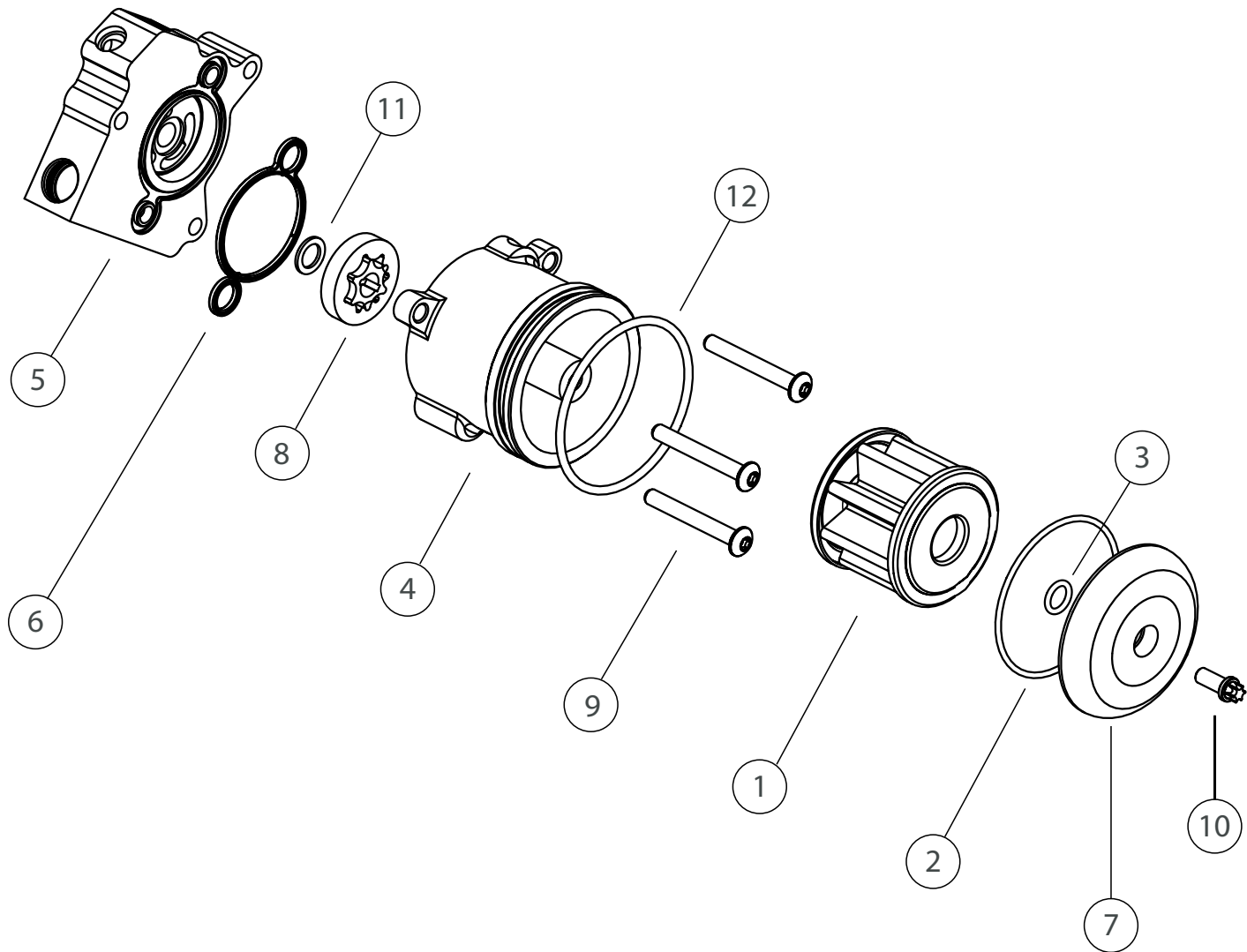
14	1	891-6000427-03		X	HOSE, OIL, 756 mm	
13	1	353-5001501		X	BANJO FITTING	
12	2	864-50001521		X	OETIKER HOSE CLAMP 18.5 mm	
11-1	1	891-6000384-02		X	HOSE, OIL, RETURN	
11	1	891-5002233	X		HOSE, OIL, RETURN	
10	4	814-5001926			FHB M5X16 mm, ZINC	
9	2	872-5000484			O-RING, 2-013	
8	1	851-5000897			INTRNL RETAINING RING, 35	
7-1	2	849-5001549		X	WASHER, CRUSH, ALUMINUM	
7	1	849-5001705	X		WASHER, ENGINE DRAIN	
6	1	801-5001630			DOWEL PIN, 3 X11.8 mm	
5-1	1	593-5001502		X	BANJO BOLT	
5	1	593-5001279	X		ENGINE OIL DRAIN PLUG	
4	1	593-5000309			ENGINE OIL PICKUP SCREEN	
3	1	593-5000308-05			GASKET, ENGINE OIL PICK-UP	
2	1	593-5001865			ENGINE OIL PICKUP COVER	
1	1	593-5001864			ENGINE OIL PICKUP	
ITEM NO	QTY REQD	DEALER PART NUMBER	M/C	A/TV MODEL	DESCRIPTION	NOTES
<b>ENGINE OIL PICKUP ASSY PARTS LIST</b>						



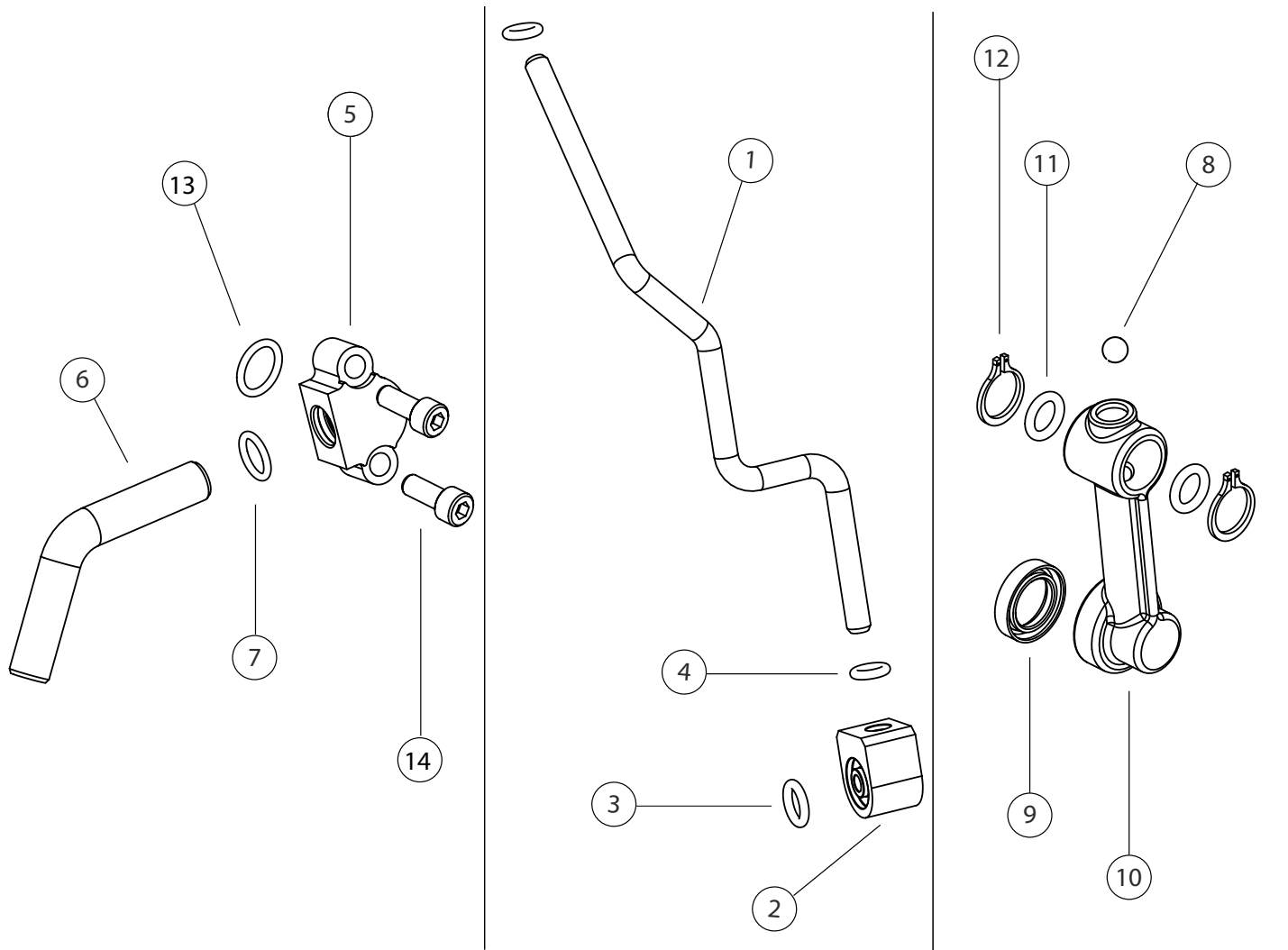


14	1	872-5000930			O-RING, 2-010	
13	1	872-5000489			O-RING, 2-031	
12	2	811-5001478			SHCS, M5X20 mm	
11	1	811-5001485			SHCS, M8X25 mm	
10	1	871-5001134			OIL SEAL:12X22X6	
9	1	853-5001248			E-CLIP, 8 mm	
8	1	844-5000448			THRUST WASHER .687X.511X.040	
7	1	801-5001089			DOWEL PIN, .125 X .635	
6	2	801-5001036			SCAVENGE PUMP DRIVE PIN	
5	1	593-5001159			GEROTOR ASSY, THICK, 4065 X .165	
4	1	593-5001158			GEROTOR ASSY, THIN, 4065 X .1875	
3	1	593-5001880			SCAVENGE PUMP COVER	
2	1	593-5000370			GEAR, SCAVENGE PUMP	
1	1	593-5002155			SHAFT, SCAVENGE PUMP	
ITEM NO	QTY REQD	DEALER PART NUMBER	MC	ATV MODEL	DESCRIPTION	NOTES

**SCAVENGE PUMP PARTS LIST**

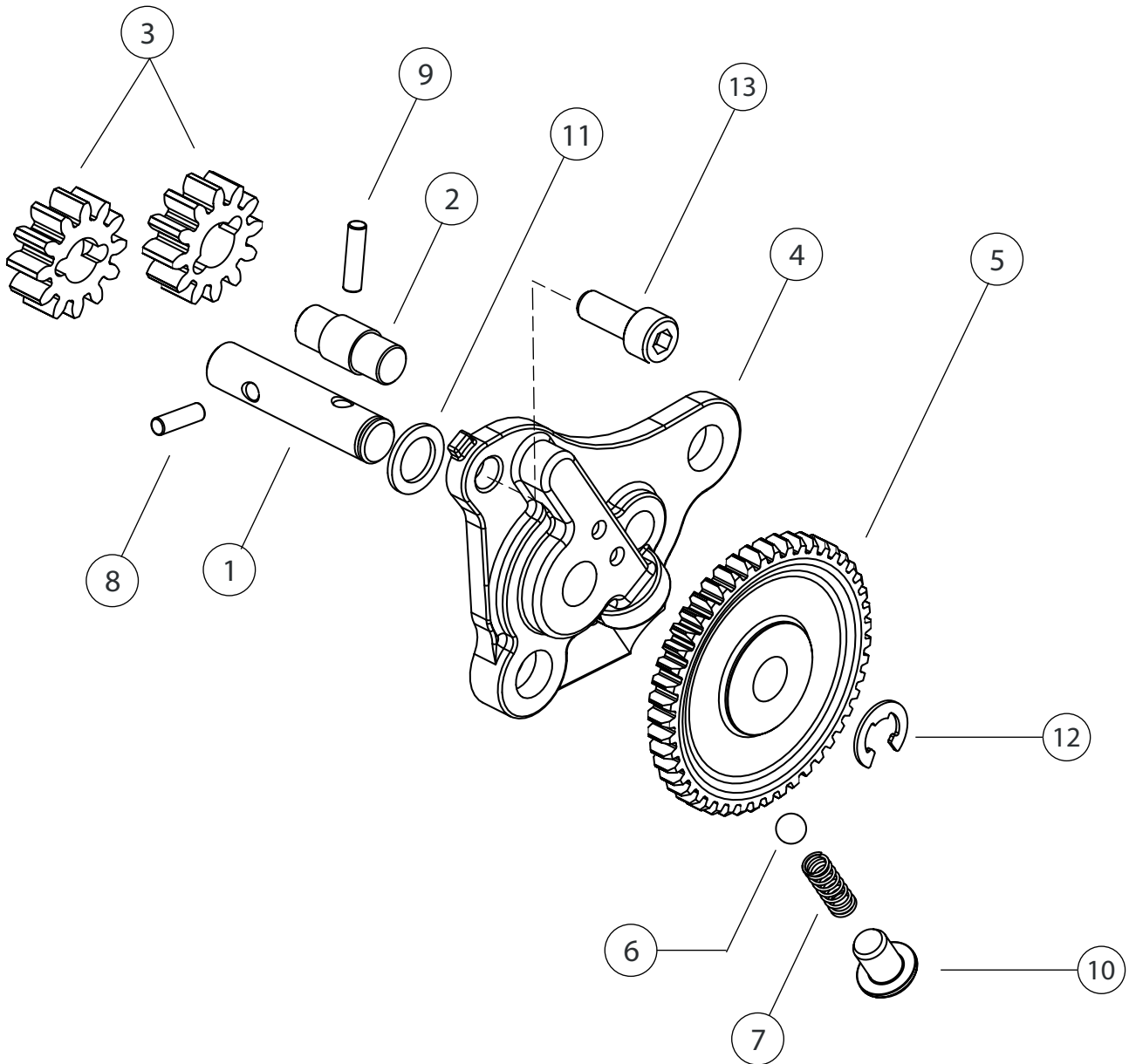


12	1	872-5000647			O-RING, 2-138	
11	1	844-5000016			THRST WASHER, 8X12X.762	
10	1	819-5001926			FHB, M5X12 mm, ZINC	
9	3	811-5002283			SHCS ,M5X35 mm	
8	1	593-5001207			GEROTOR ASSY, 6022 X .226	
7	1	593-5001878			COVER, OIL FILTER	
6	1	593-5000638			SEAL, 3 RING, PRESSURE PUMP	
5	1	593-5001858-03			HOUSING, PRESSURE PUMP	
4	1	593-5001859			OIL FILTER HOUSING	
3	1	872-5000482			O-RING, 2-011	INCLUDED IN 592-5001740
2	1	872-5000634			O-RING, 2-033	INCLUDED IN 592-5001740
1	1	592-5001740			FILTER, ENGINE OIL ASSEMBLY	
ITEM NO	QTY REQD	DEALER PART NUMBER	MC	ATV MODEL	DESCRIPTION	NOTES
<b>ENGINE OIL PUMP PARTS LIST</b>						



14	2	811-5001478			SHCS, M5X20 mm	
13	1	872-5000484			O-RING, 2-013	
12	1	852-5001028			EXTERNAL RETAINING RING, M10	
11	1	872-5000930			O-RING, 2-010	
10	1	532-5001122			CRANKSHAFT OIL SUPPLY BRIDGE ASSY	
9	1	871-5000689			OIL SEAL: 8X14X4	
8	1	849-5000965			SEALING WASHER, 6mm	
7	1	872-5000487			O-RING, 2-012	
6	1	593-5001066			OIL RETURN PIPE	
5	1	593-5001065			OIL RETURN FITTING	
4	2	872-5001061			O-RING, 2-008	
3	1	872-5000930			O-RING, 2-010	
2	1	593-5001059-05			TRANSMISSION OIL LINE LEFT ADAPTOR	
1	1	593-5000895			TIMING CHAIN OIL PIPE	
ITEM NO	QTY REQD	DEALER PART NUMBER	M/C MODEL	ATV MODEL	DESCRIPTION	NOTES

**OIL SUPPLY TUBES PARTS LIST**



13	1	812-5001852			BHCS, M5X16 mm	
12	1	853-5001564			CIRCLIP,7mm (STAINLESS)	
11	1	844-5000016			THRUST WASHER, 8X12X.762	
10	1	812-5001474			BHCS, M6 X 1.0 X 8 mm	
9	1	801-5001630			DOWEL PIN, 3 X 11.8	
8	1	801-5001183			DOWEL PIN, 3 X 9.8	
7	1	593-5000993			PRESSURE RELIEF SPRING	
6	1	593-5000992			PRESSURE RELIEF BALL	
5	1	593-5000669			TRANS OIL PUMP DRIVE GEAR	
4	1	593-5001867			TRANSMISSION OIL PUMP COVER	
3	2	593-5000386			OIL PUMP DRIVEN GEAR	
2	1	593-5000385			OIL PUMP IDLER SHAFT	
1	1	593-5000384			TRANS OIL PUMP DRIVE SHAFT	
ITEM NO	QTY REQD	DEALER PART NUMBER	M/C	ATV MODEL	DESCRIPTION	NOTES
<b>TRANSMISSION OIL PUMP PARTS LIST</b>						